

IT-B7

SERVICE MANUAL

REVISED

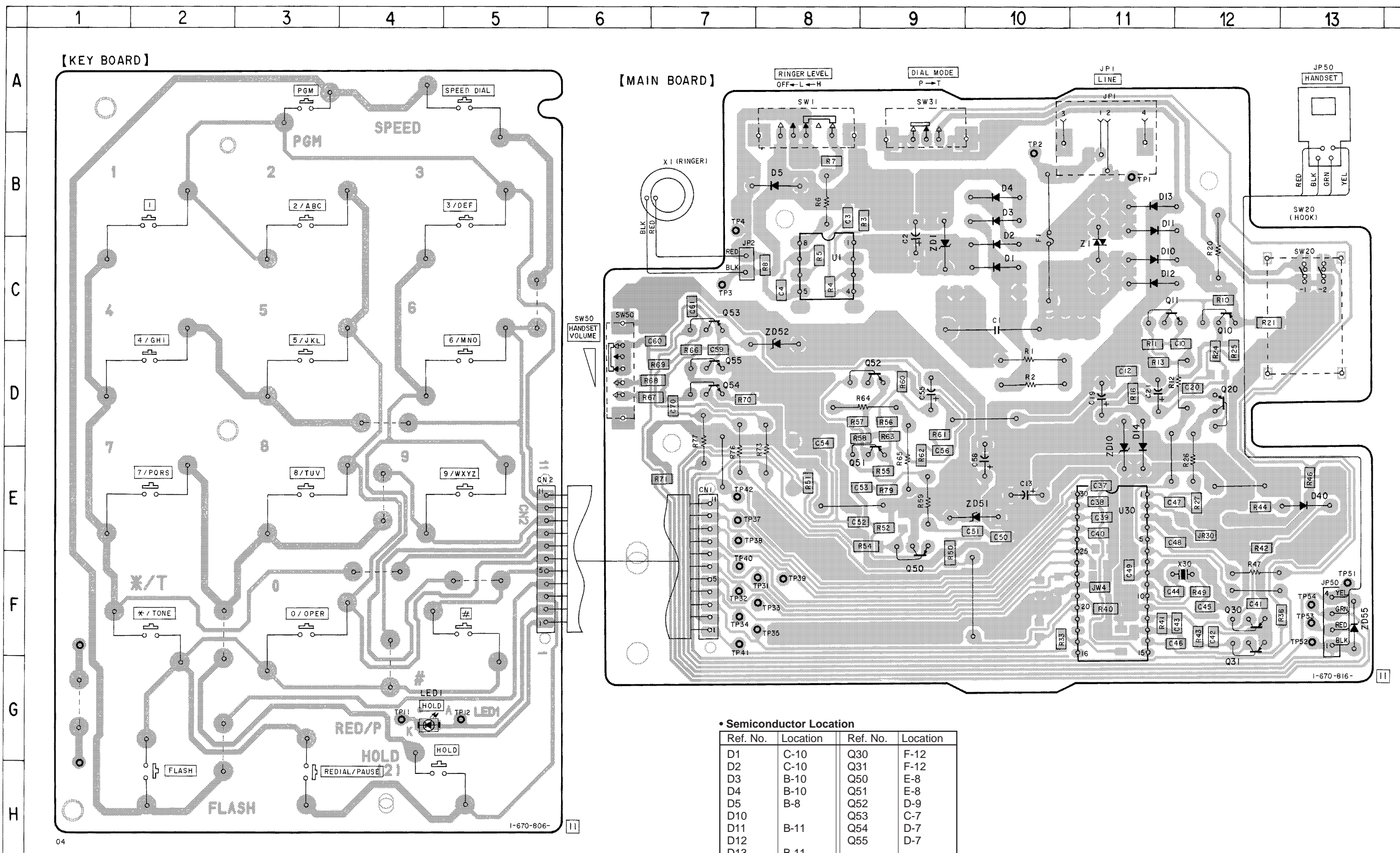
*Canadian Model
E Model*



Photo : Gray type

SECTION 3
DIAGRAMS

3-1. PRINTED WIRING BOARDS — Canadian Model —

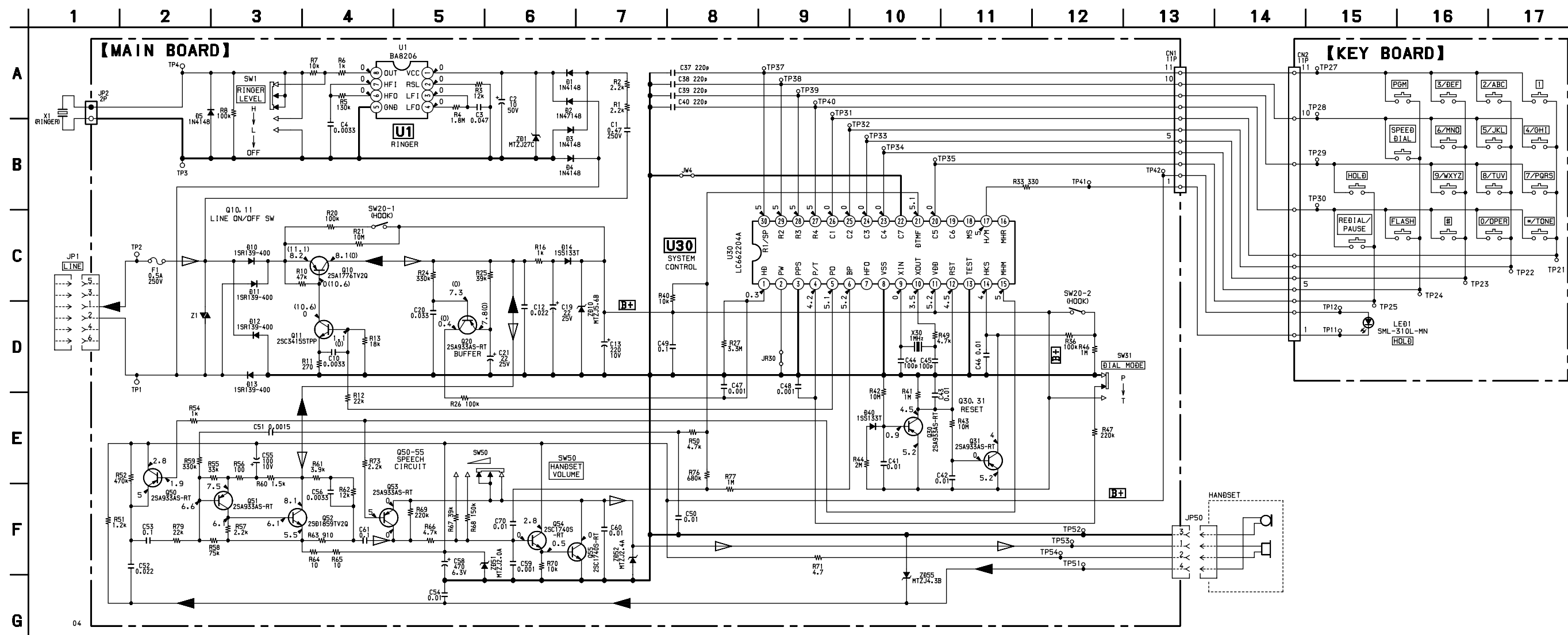


• Semiconductor Location

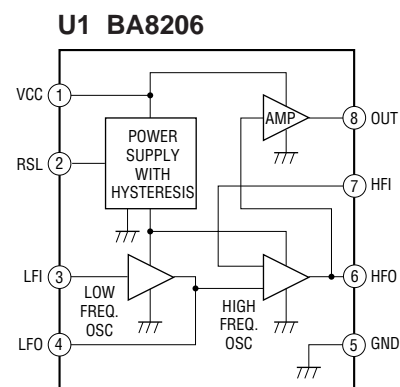
Ref. No.	Location	Ref. No.	Location
D1	C-10	Q30	F-12
D2	C-10	Q31	F-12
D3	B-10	Q50	E-8
D4	B-10	Q51	E-8
D5	B-8	Q52	D-9
D10		Q53	C-7
D11	B-11	Q54	D-7
D12		Q55	D-7
D13	B-11		
D14	D-11	U1	C-8
D40	E-13	U30	D-11
LED1	G-4	ZD1	C-9
		ZD10	D-11
Q10	C-12	ZD51	D-10
Q11	C-11	ZD52	C-8
Q20	D-12	ZD55	F-13

Note:
 • — : parts extracted from the component side.
 • - - - : Carbon pattern
 • : Pattern from the side which enables seeing.

3-2. SCHEMATIC DIAGRAM — Canadian Model —



• IC Block Diagram



Note:

- All capacitors are in μF unless otherwise noted. pF : μmF 50 WV or less are not indicated except for electrolytics and tantalums.
- All resistors are in Ω and $1/4\text{W}$ or less unless otherwise specified.
- : panel designation.
- **B+** : B+ Line.
- Power voltage is dc 12 V and fed with regulated dc power supply from JP1 with 100 Ω in series.
- Voltage is dc with respect to ground under no-signal condition.
- no mark : OFF HOOK
() : ON HOOK
- Voltages are taken with a VOM (Input impedance 10 M Ω). Voltage variations may be noted due to normal production tolerances.
- Signal path.
 : RX
 : TX