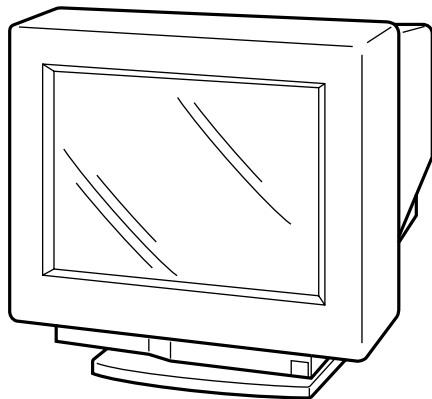


GDM-400PS/400PST/400PST9

SERVICE MANUAL

REVISED



GDM-400PS

US Model

Canadian Model

Australian Model

Equator Model

GDM-400PST

AEP Model

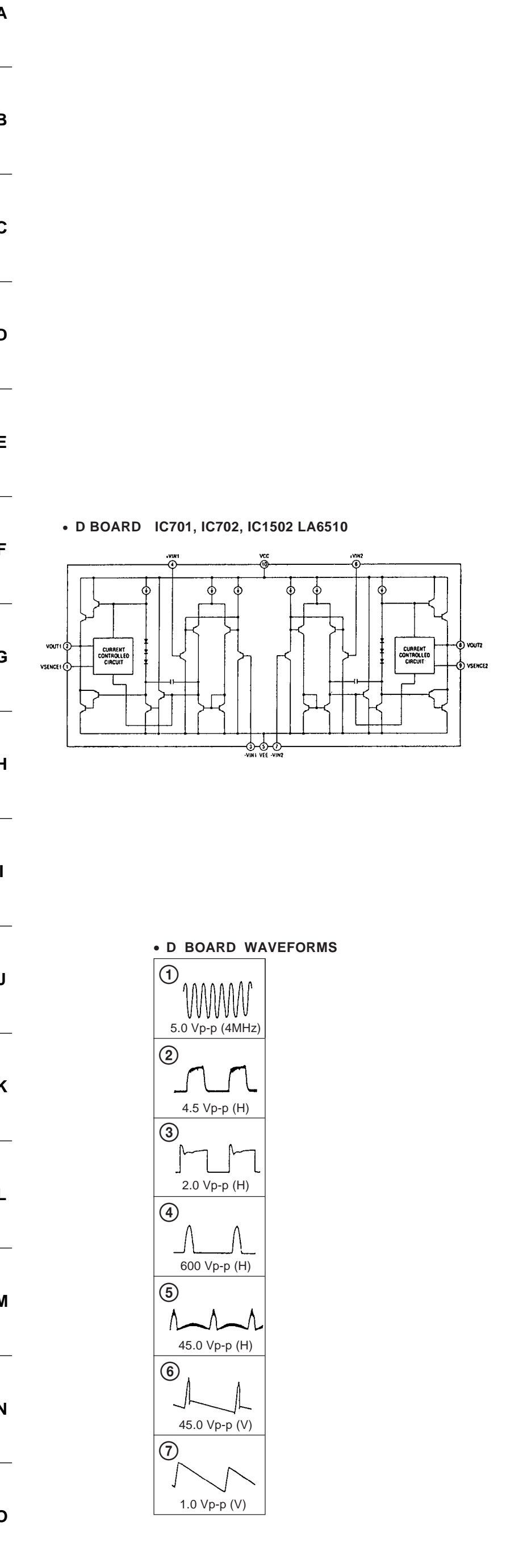
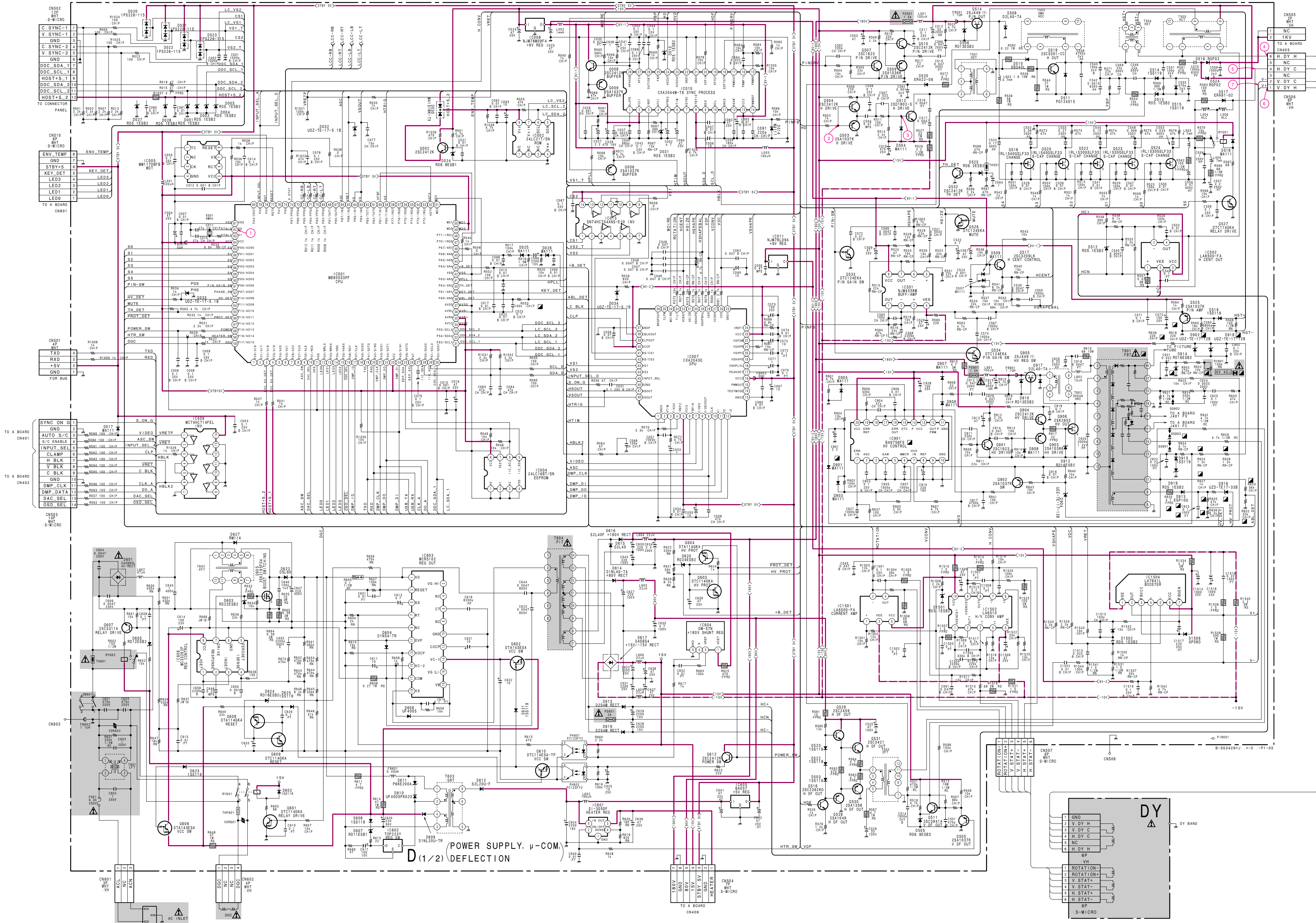
UK Model

GDM-400PST9

AEP Model

Chassis No. SCC-L17A-A

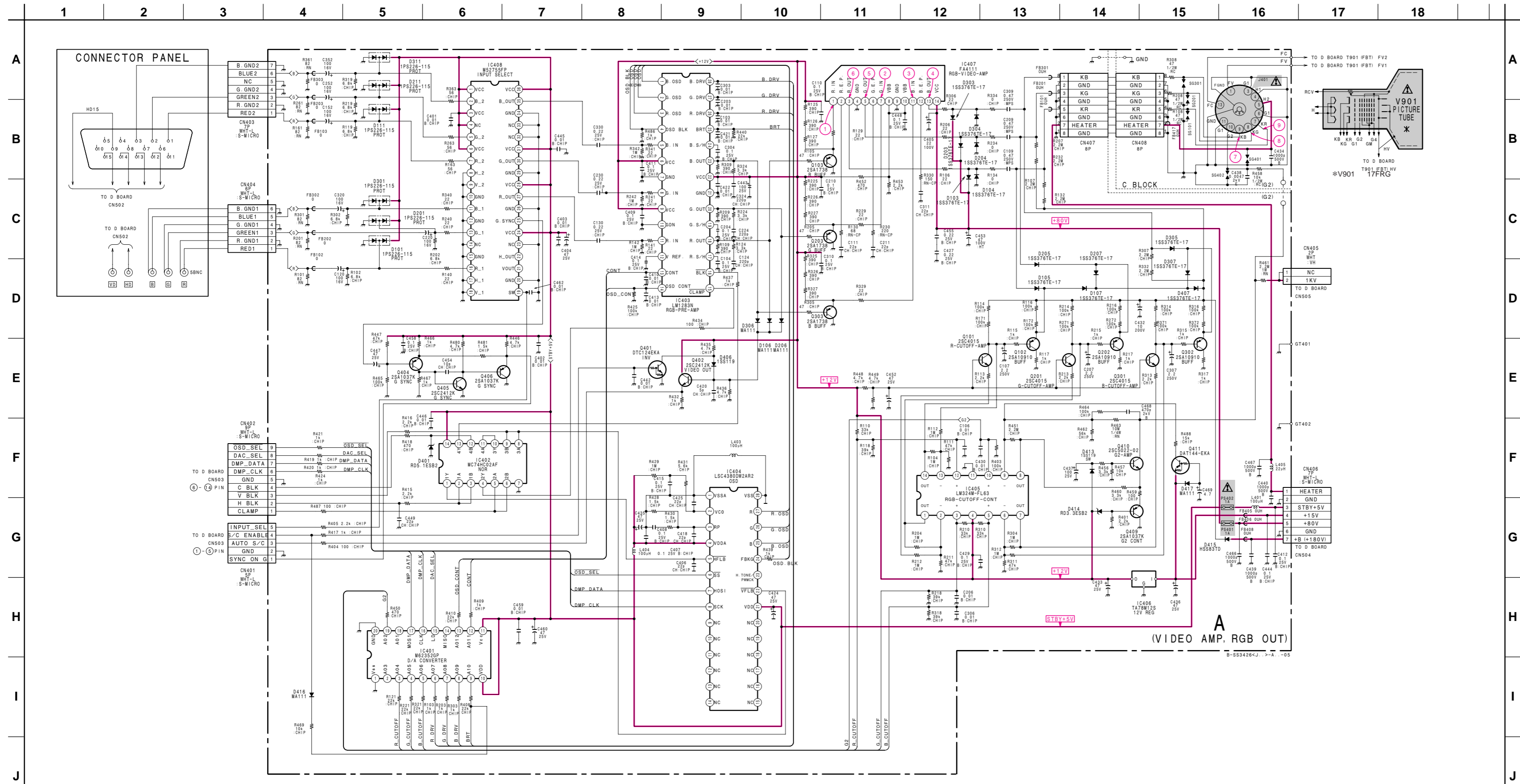
N3 CHASSIS



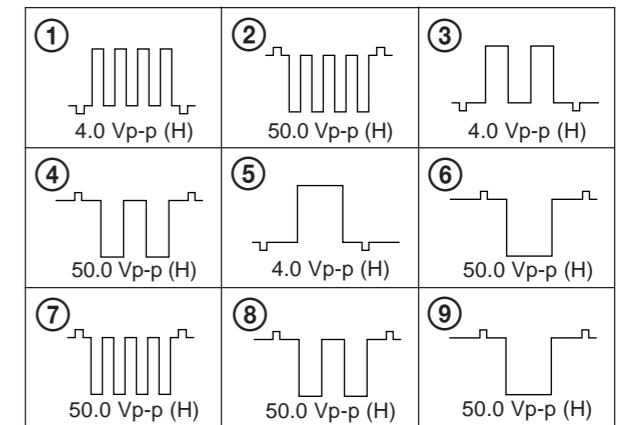
• D BOARD IC701, IC702, IC1502 LA6510

- D BOARD WAVEFORMS
- ① 5.0 Vp-p (4MHz)
 - ② 4.5 Vp-p (H)
 - ③ 2.0 Vp-p (H)
 - ④ 600 Vp-p (H)
 - ⑤ 45.0 Vp-p (H)
 - ⑥ 45.0 Vp-p (V)
 - ⑦ 1.0 Vp-p (V)

(3) Schematic Diagram of A Board

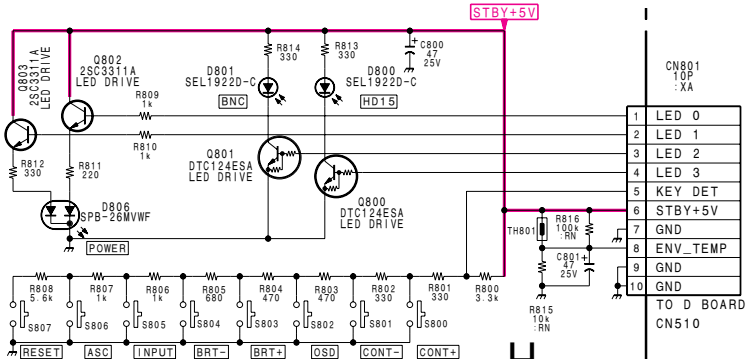


• A BOARD WAVEFORMS



• A BOARD VOLTAGE LIST

Ref.	Pin No.	Voltage [V]	Ref.	Pin No.	Voltage [V]	
IC403	1	1.6	Q202	C	91.7	
	2	1.6		E	5.2	
	3	1.6		Q203	B	91.7
	4	0			C	0.6
	5	2.2			E	92.3
	8	2.2		Q301	B	1.9
	11	2.2			E	2.6
	12	2			Q302	B
	13	1.7		C		5.2
	14	1.5		Q303		B
	15	4.8			C	92.1
	16	4			E	5.2
17	6.7	Q401	B	0		
18	2.2		C	6.1		
19	6.8		Q402	B	5.5	
20	2.1	E		4.8		
23	2.1	Q404		B	3.5	
24	6.8		C	0.6		
25	1.5		E	4.1		
26	3.4	Q405	B	0.6		
27	3.5		C	3.3		
28	3.4		E	3.6		
IC407	1	2.8	Q409	B	8.3	
	2	2.0		E	7.8	
	3	50.8		Q410	B	8.3
5	50.8	C	463			
6	1.9	E	7.8			
7	2.8	J401	KB	70		
8	9.8		KG	70		
10	9.8		KR	70		
11	2.8	Q101	G2	462		
12	1.9		Q102	H2	6.2	
13	50.8					



H
 (USER CONTROL)