

**CM-H777RC/H888RC**

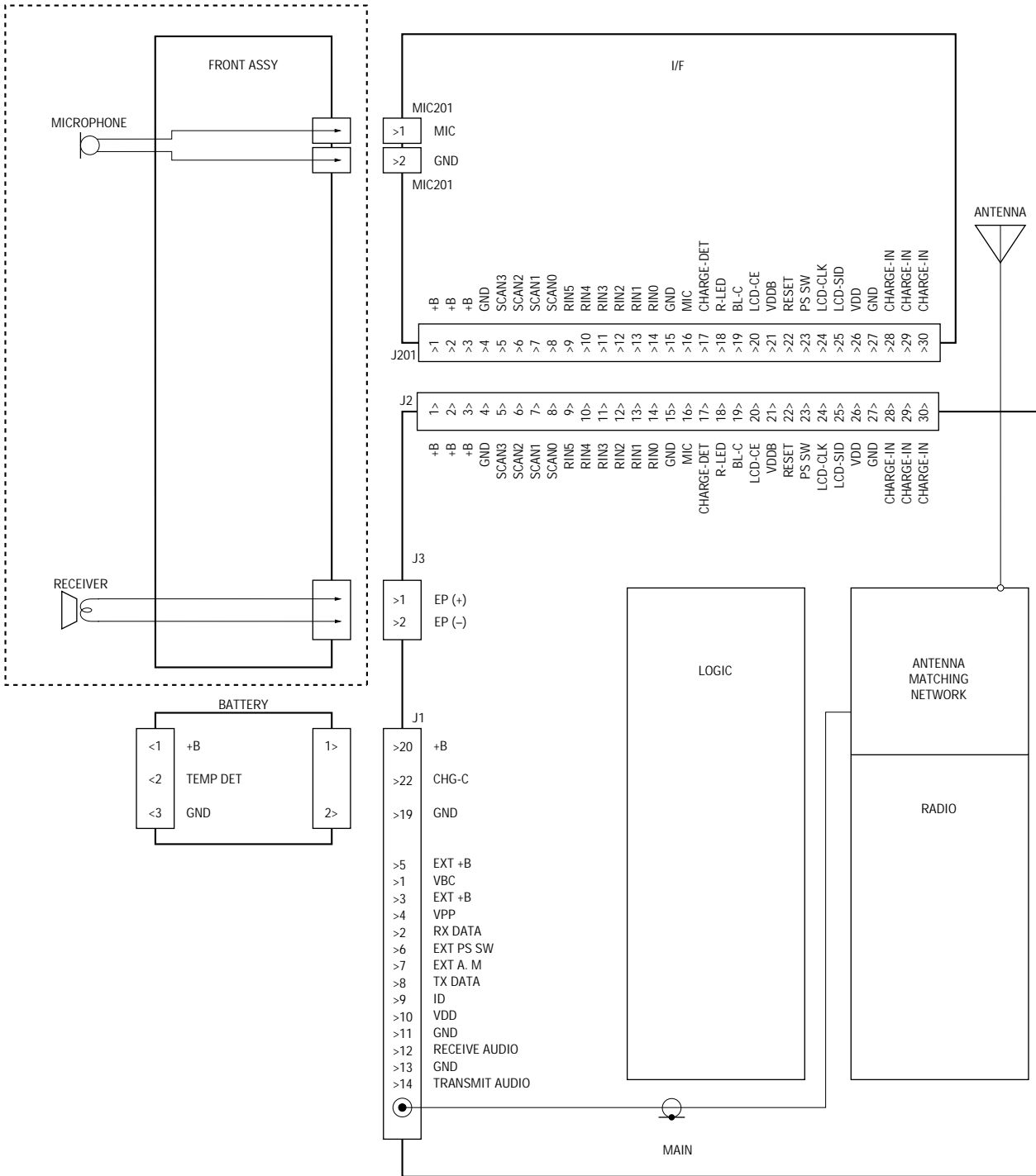
---

**SONY®**

*AMPS*

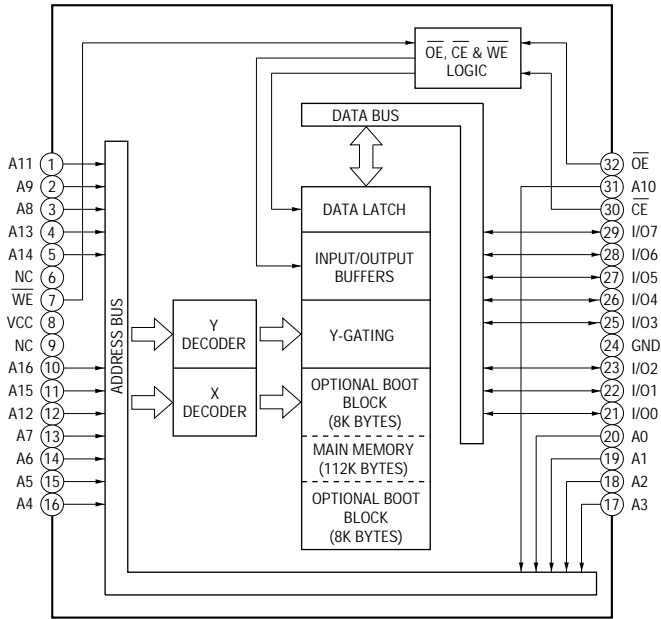
# SECTION 5 DIAGRAMS

## 5-1. FRAME SCHEMATIC DIAGRAM

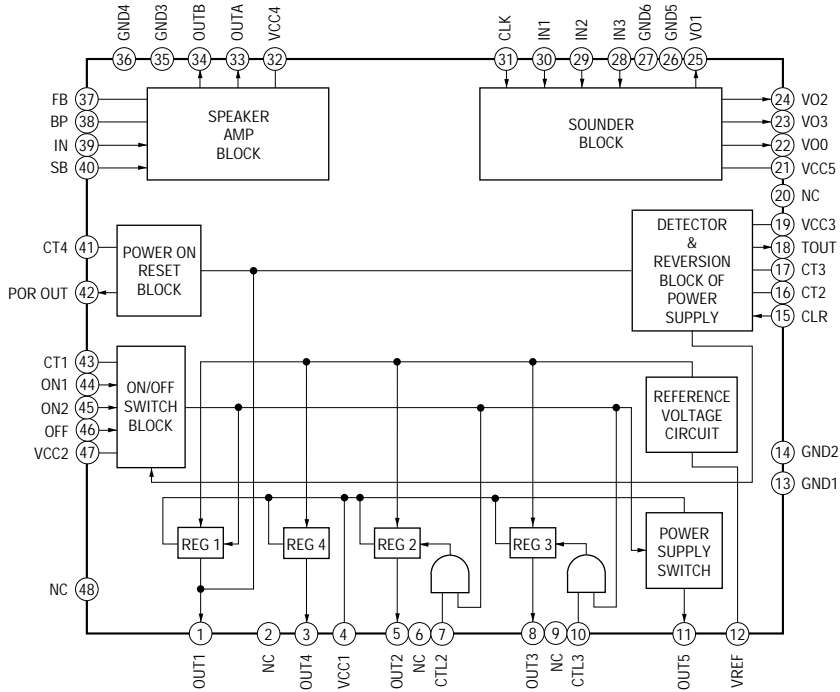


• IC Block Diagrams – RAGIC Board –

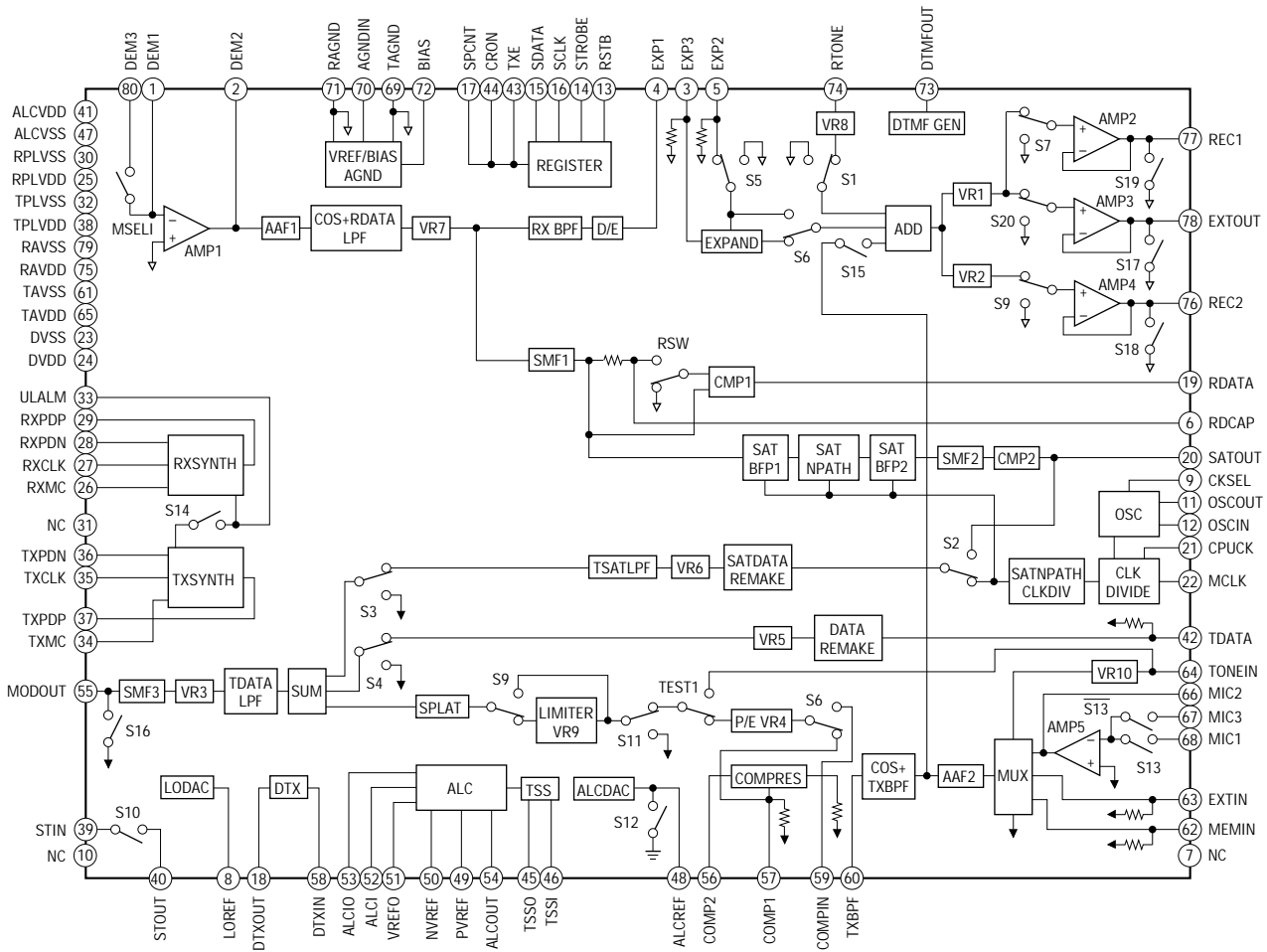
U2 AT29LV010A-15TC1



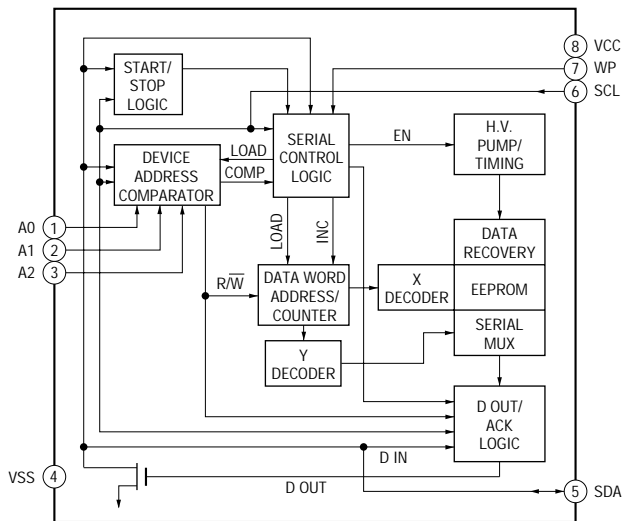
U3 MB3805APFV-G-BND



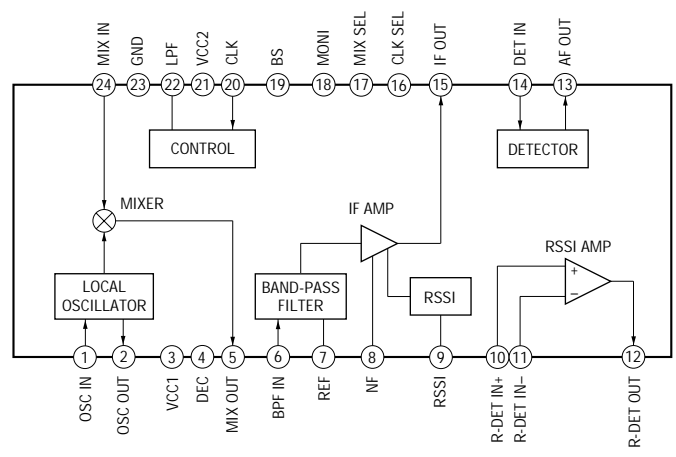
**U5 AK2334**



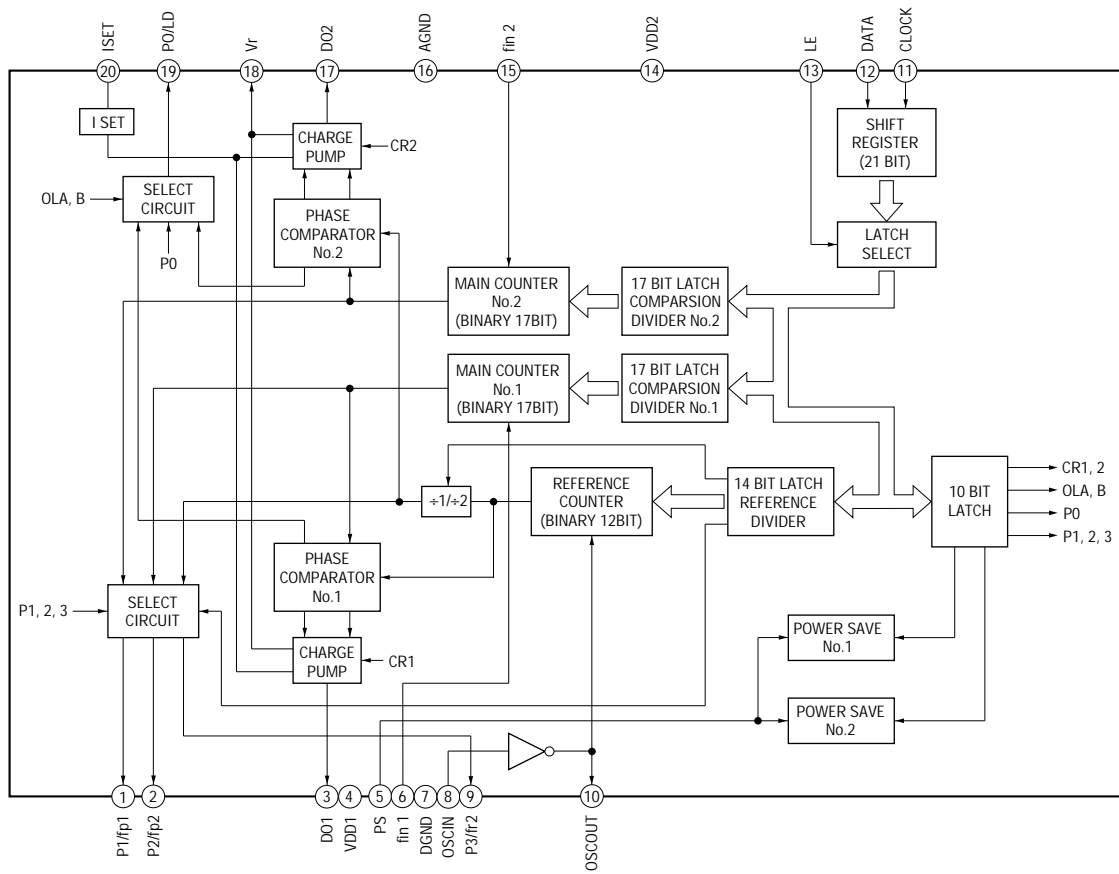
**U8A AT24C32N-10SI-2.7**



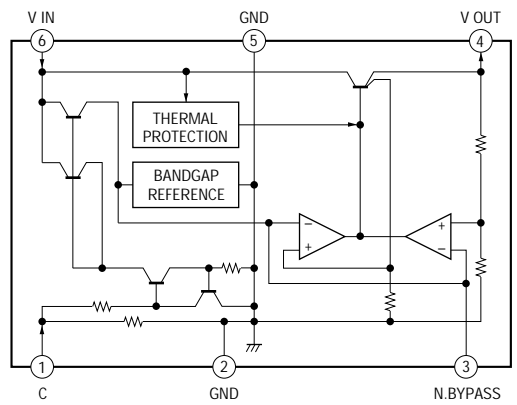
**U302 TA31181FN**



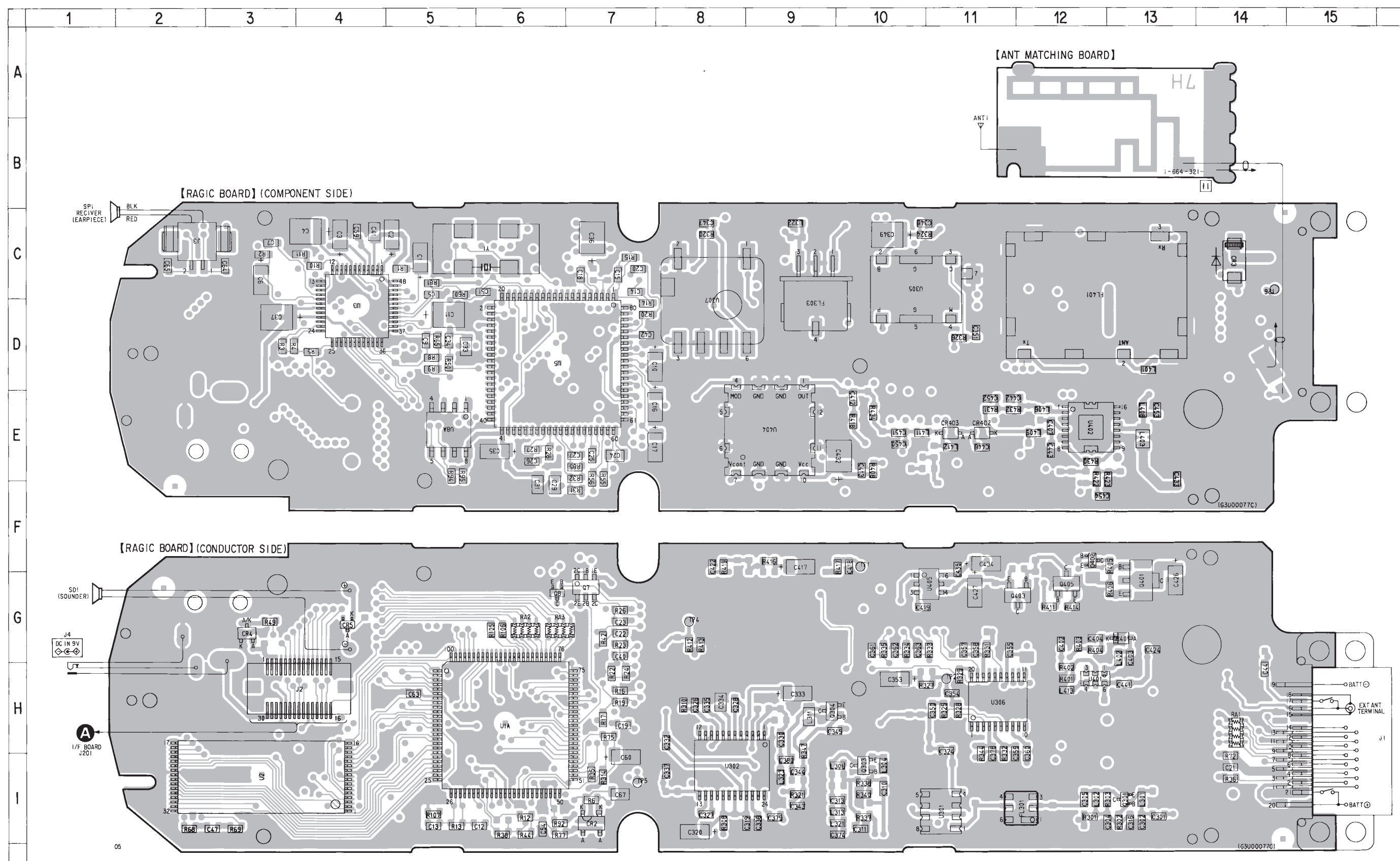
**U306 MB15U10PFV-G-BND**



**U405 TK11240BMCL**



5-2. PRINTED WIRING BOARD – RF/LOGIC Section –



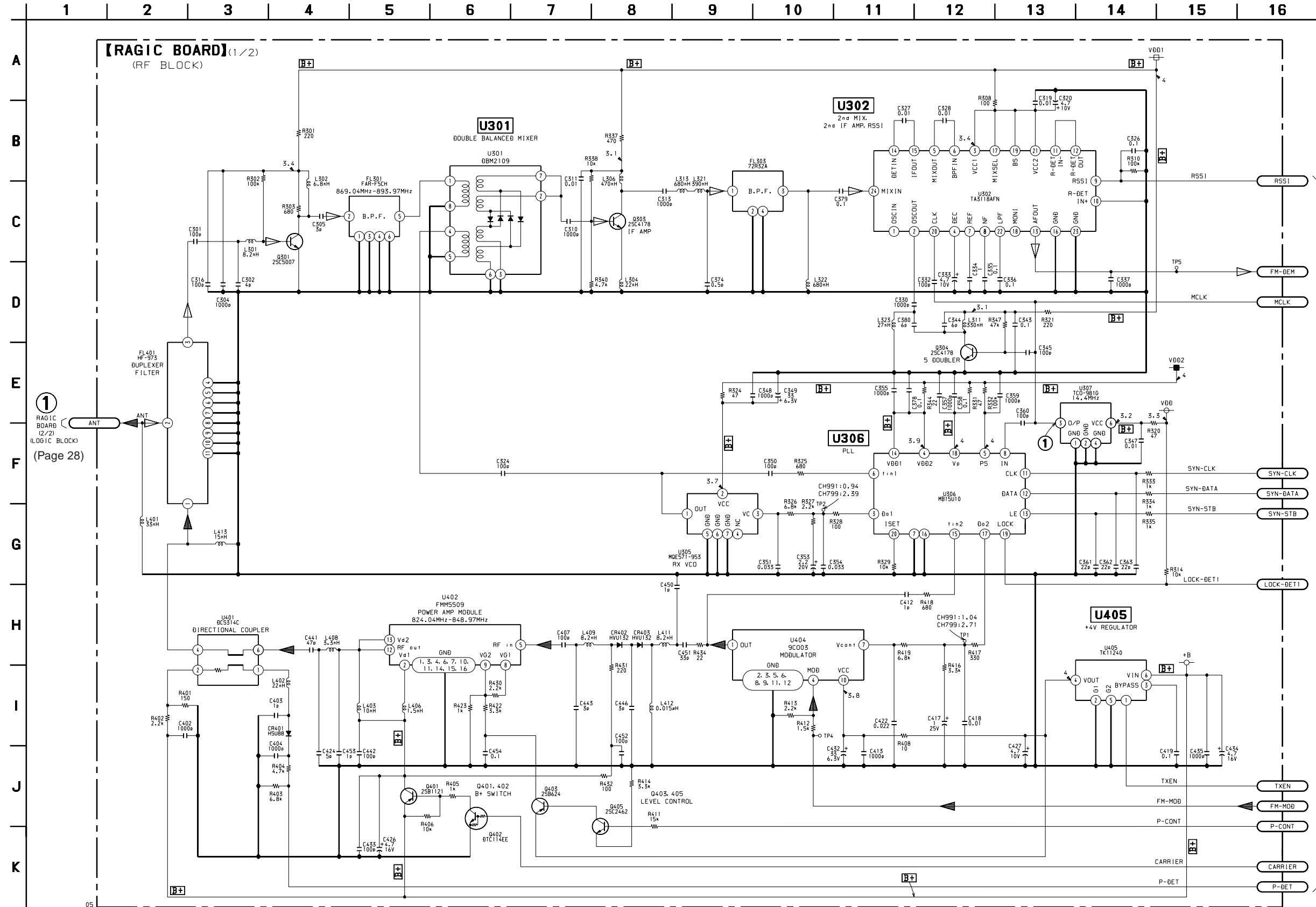
• Semiconductor Location

Ref. No.	Location	Ref. No.	Location	Ref. No.	Location
CR2	I-7	Q7	G-7	U1A	H-6
CR3	C-14	Q8	G-6	U2	I-3
CR4	G-3	Q301	I-13	U3	D-4
CR5	G-4	Q303	I-10	U5	D-6
CR401	G-13	Q304	H-9	U8A	E-5
CR402	E-11	Q401	G-13	U301	I-11
CR403	E-11	Q402	F-12	U302	I-8
		Q403	G-11	U306	H-11
		Q405	G-12	U405	G-11

Note:

- This board is four-layer printed board. However, the patterns of layers 2 and 3 have not been included in the diagram.

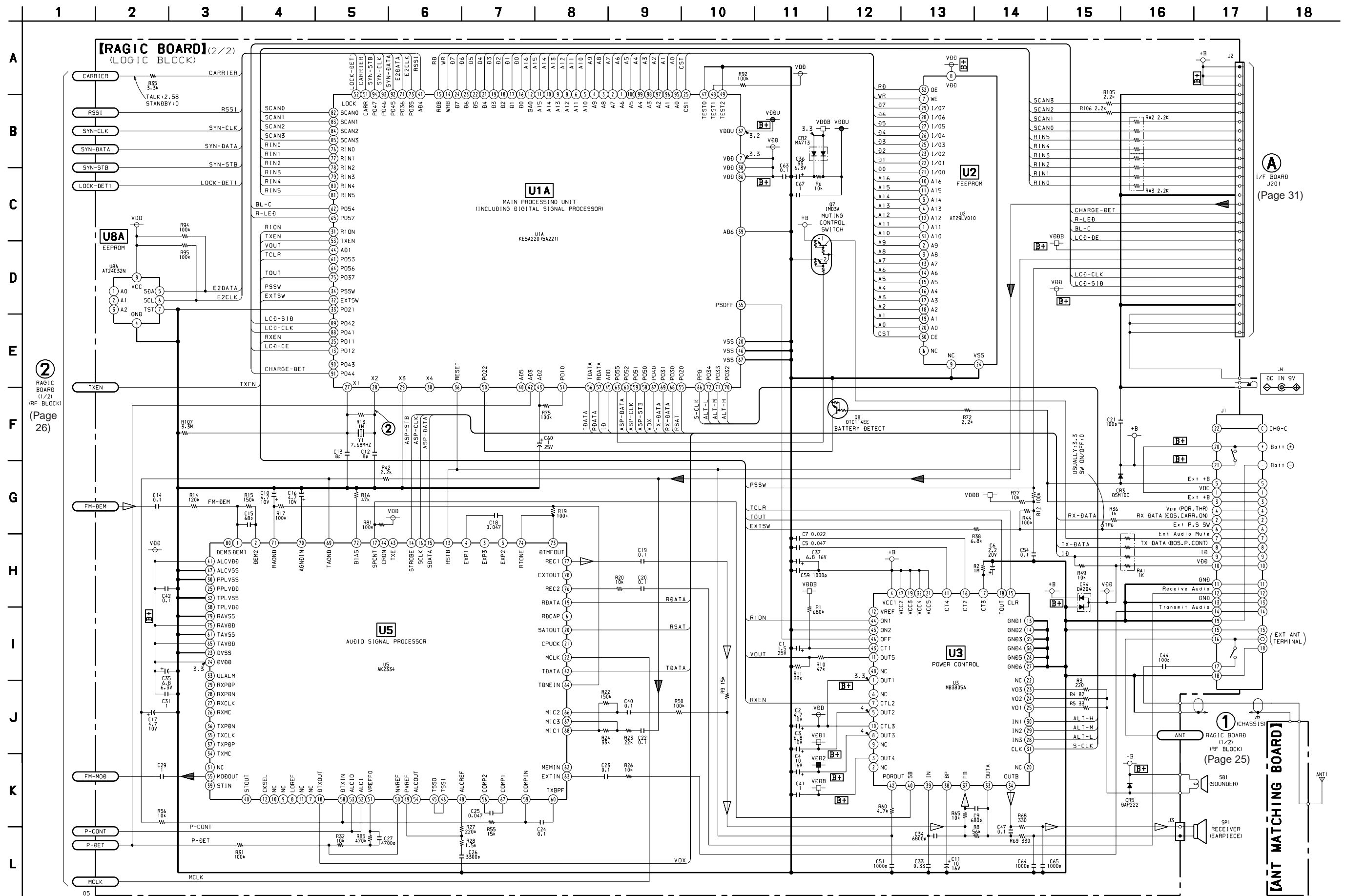
5-3. SCHEMATIC DIAGRAM – RAGIC Board (1/2) (RF Section) –  
• See page 22 for Waveforms. • See page 20 and 21 for IC Block Diagrams.



1 RAGIC BOARD (1/2) (RF BLOCK) (Page 28)

2 RAGIC BOARD (2/2) (LOGIC BLOCK) (Page 27)

5-4. SCHEMATIC DIAGRAM – RAGIC Board (2/2) (LOGIC Section) –  
 • See page 22 for Waveforms. • See page 19 and 20 for IC Block Diagrams.



② RAGIC BOARD (1/2) (RF BLOCK) (Page 26)

① I/F BOARD J201 (Page 31)

① RAGIC BOARD (1/2) (RF BLOCK) (Page 25)



5-6. SCHEMATIC DIAGRAM - I/F Section -

