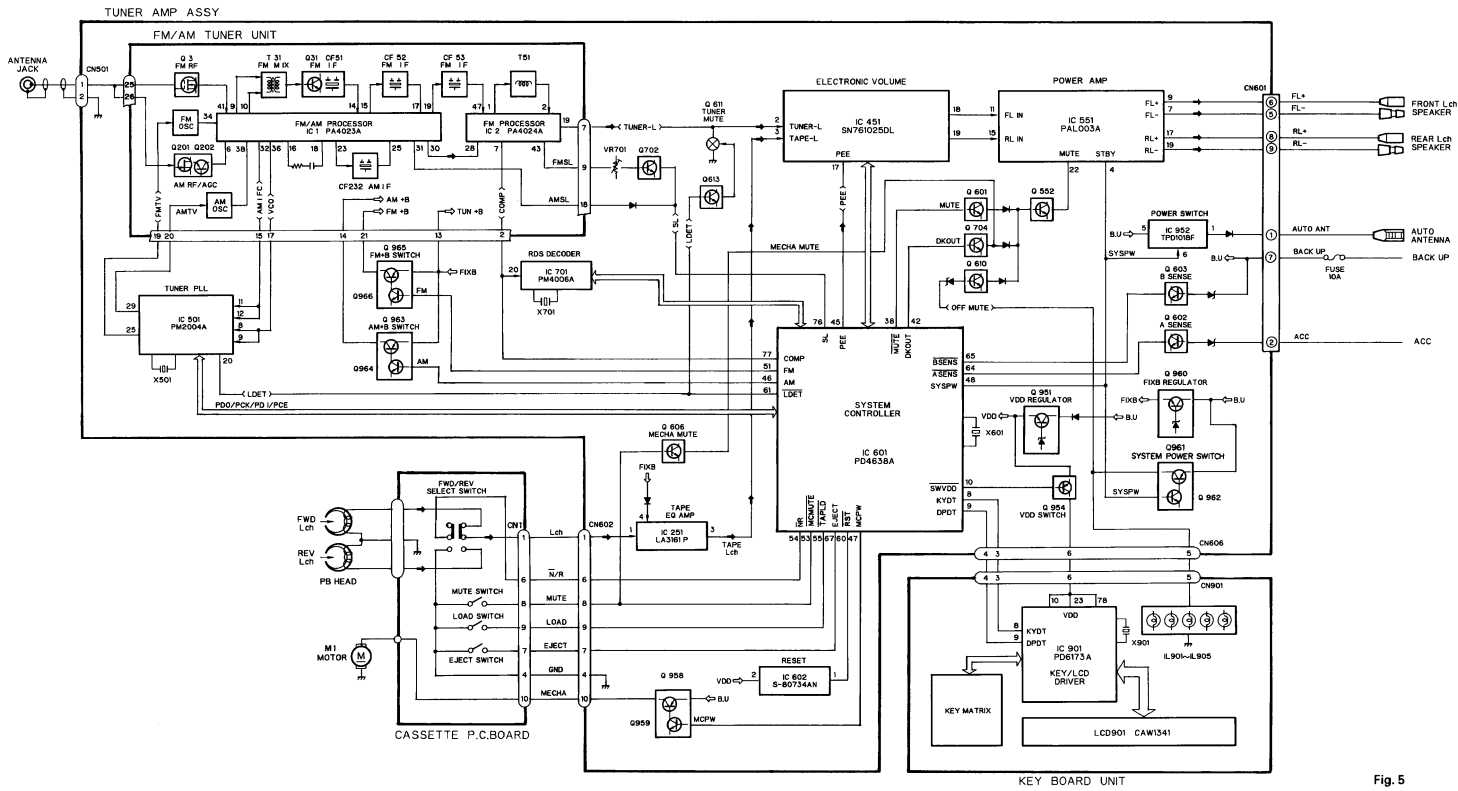


8. BLOCK DIAGRAM



● Add on page 6(Adjustment)

Modulation S2:STEREO MOD., 1kHz, L or R=60%(40.5kHz+7.5kHz Dev.)

RDS SL ADJUSTMENT

No.	FM SSG		Displayed Frequency(MHz)	Adjustment Point	Adjustment Method (Switch Position)
	Frequency(MHz)	Level(dBf)			
1	104.0 S2	35	104.0	VR701	DC V Meter(2) : 1.75V±0.05V

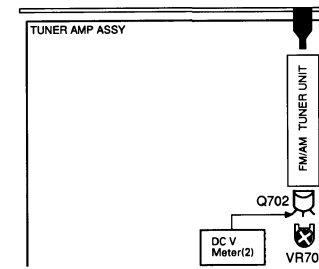
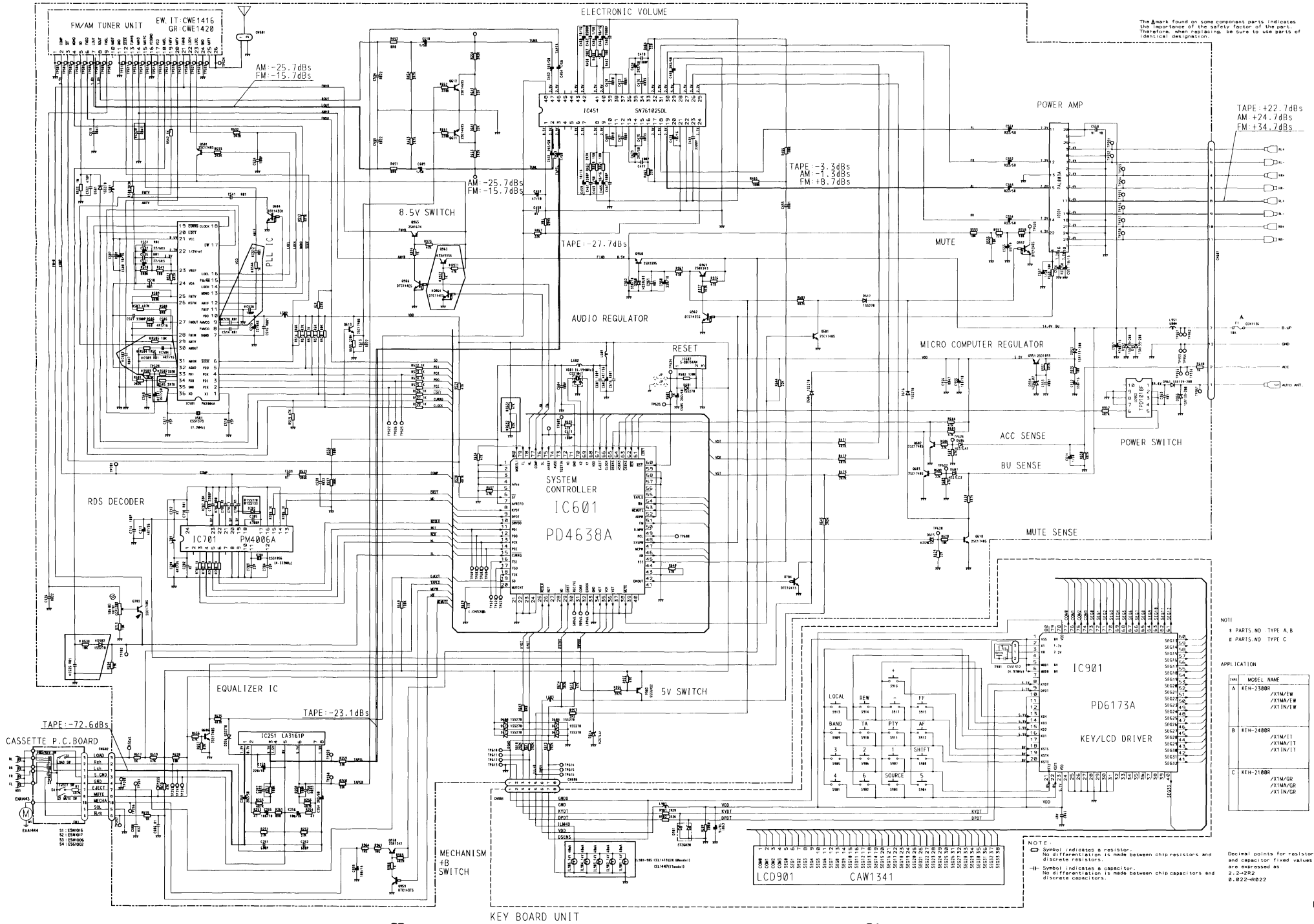


Fig. 5

10. SCHEMATIC CIRCUIT DIAGRAM

KEH-2300R, 2100R, 2400R

TUNER AMP ASSY



The Amark found on some component parts indicates the importance of the safety factor of the part. Therefore, when replacing, be sure to use parts of identical designation.

TAPE +22.7dBs
AM +24.7dBs
FM +34.7dBs

AM -25.7dBs
FM -15.7dBs

TAPE -3.5dBs
AM -1.5dBs
FM +8.7dBs

TAPE -27.7dBs

TAPE -72.6dBs

TAPE -23.1dBs

NOTE:
PARTS NO TYPE A,B
PARTS NO TYPE C

APPLICATION

MODEL NAME
A KEH-2300R /X1M/W /X1M/VW /X1IN/W
B KEH-2400R /X1M/I1 /X1M/I1 /X1IN/I1
C KEH-2100R /X1M/GR /X1M/GR /X1IN/GR

NOTE:
□ Symbol indicates a resistor.
No differentiation is made between chip resistors and discrete resistors.
-# Symbol indicates a capacitor.
No differentiation is made between chip capacitors and discrete capacitors.

Decimal points for resistor and capacitor fixed values are expressed as 2.2-2R2 0.022-0022

Fig. 7