

# Service Manual Vacuum Cleaner

Model : RC-805

**DAEWOO**



**DAEWOO ELECTRONICS CO., LTD.  
OVERSEAS SERVICE DEPT.**

# CONTENTS

---

1. SPECIFICATIONS	1
2. DESCRIPTIONS	2
3. DIAGRAM	6
4. CAUSE OF TROUBLE AND COUNTERMEASURE	9
5. DISASSEMBLING AND TREATMENT	11
6. EXPLODED VIEW AND PARTS LIST	17

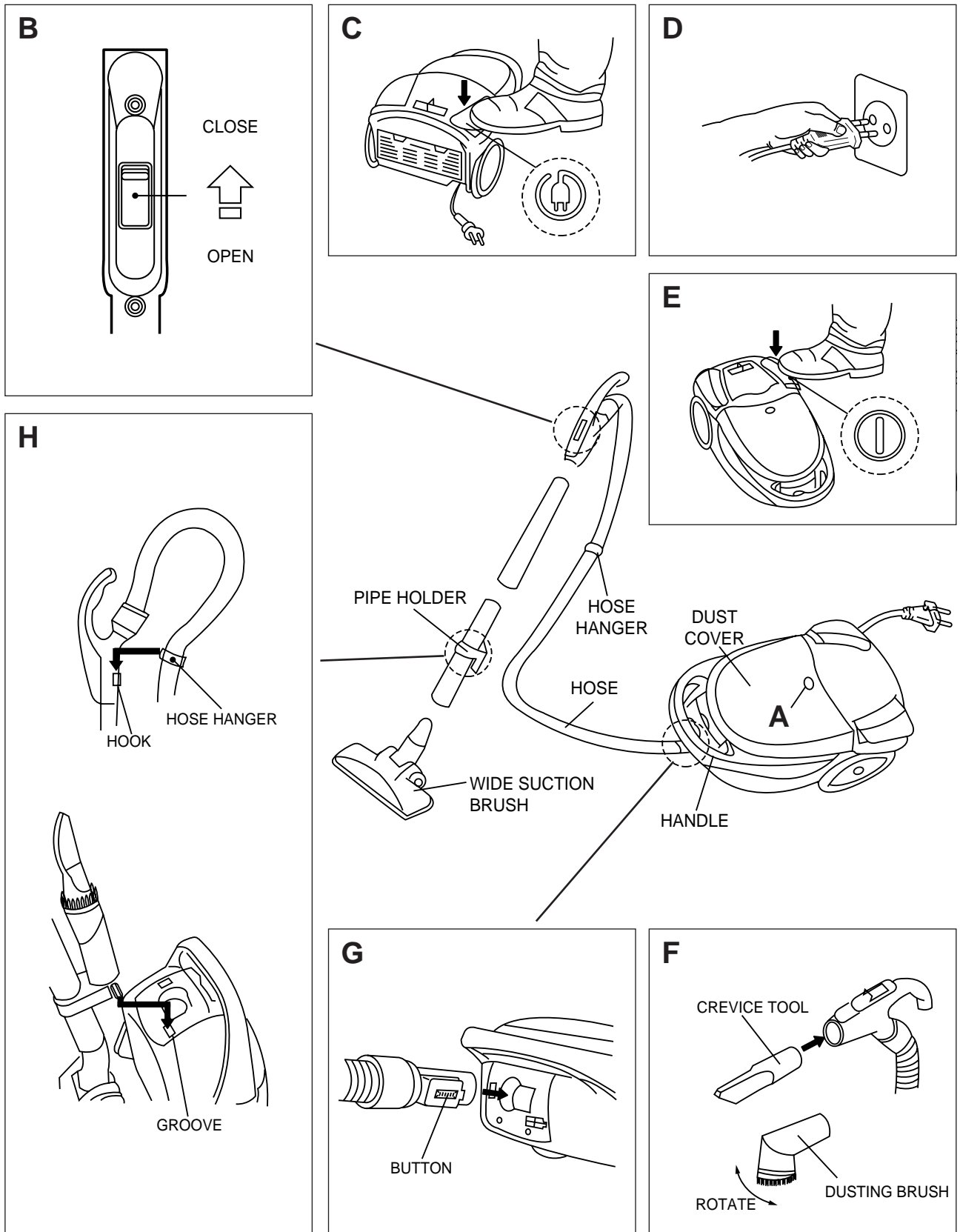
## 2. DESCRIPTIONS

---

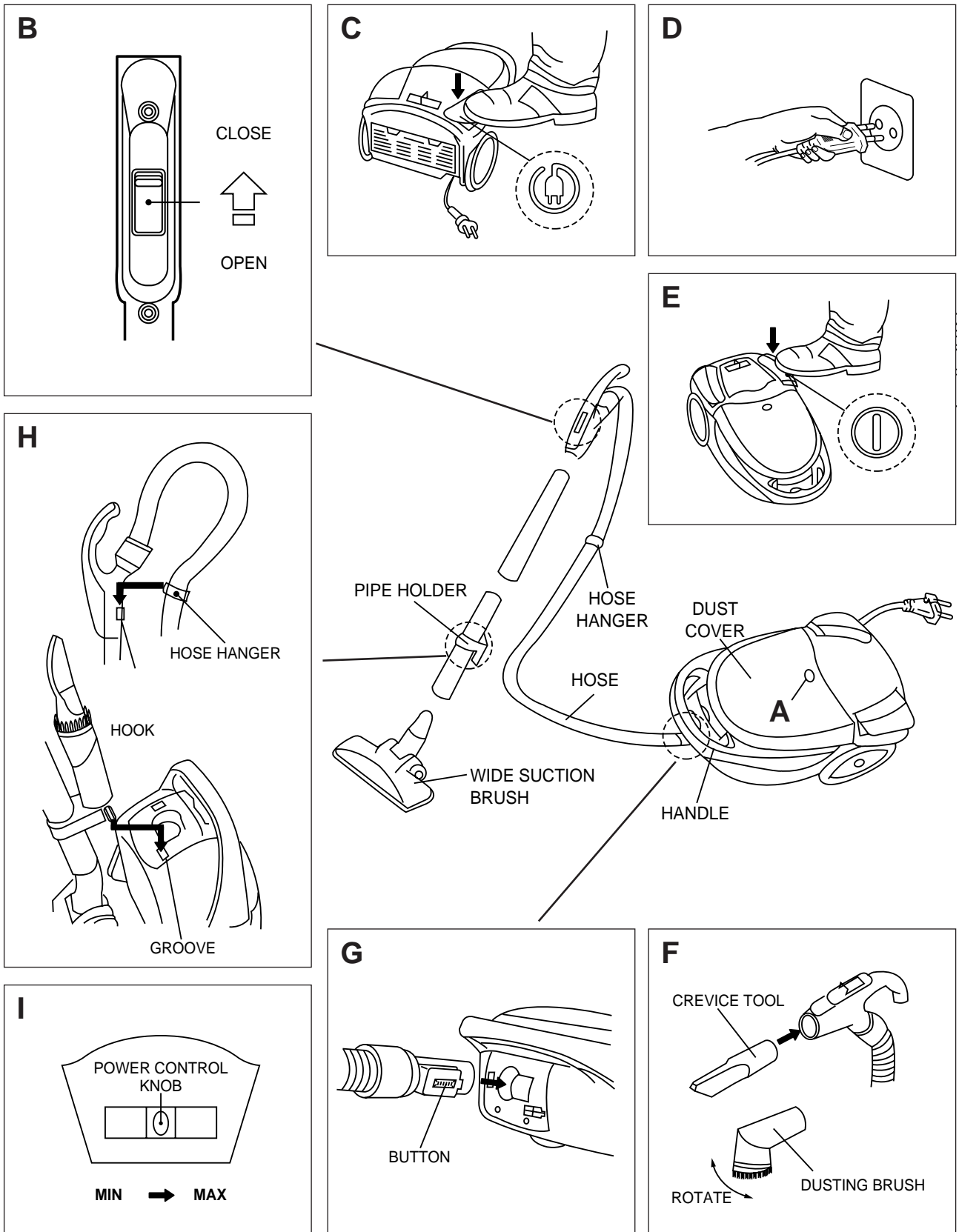
### 2-1. ASSEMBLY

A	DUST METER		
B	HOSE HANDLE	* AIR CONTROL VALVE * POWER CONTROL	(MODEL : RC-805, RC-805B) (MODEL : RC-805H)
C	CORD REWIND BUTTON		
D	POWER CORD		
E	ON/OFF BUTTON		
F	CLEANING TOOLS	* CREVICE TOOL * DUSTING BRUSH	
G	HOSE ADAPTER		
H	KEEPING	* HOSE HANGER, PIPE HOLDER * PIPE HOLDER	(MODEL : RC-805, RC-805B) (MODEL : RC-805H)
I	POWER CONTROL KNOB	*RC-805B	

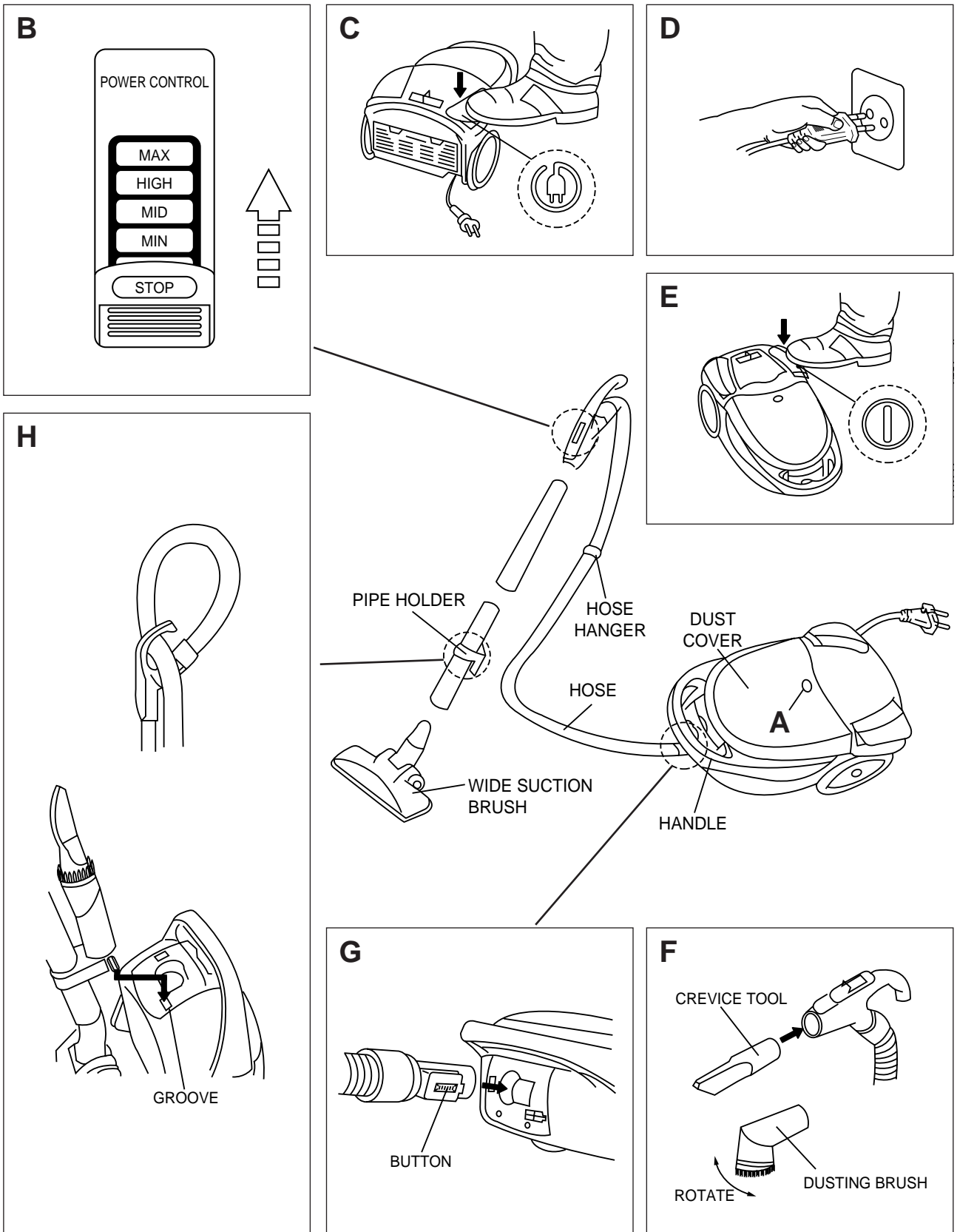
## 2-2. MODEL RC-805



## 2-3. MODEL RC-805B



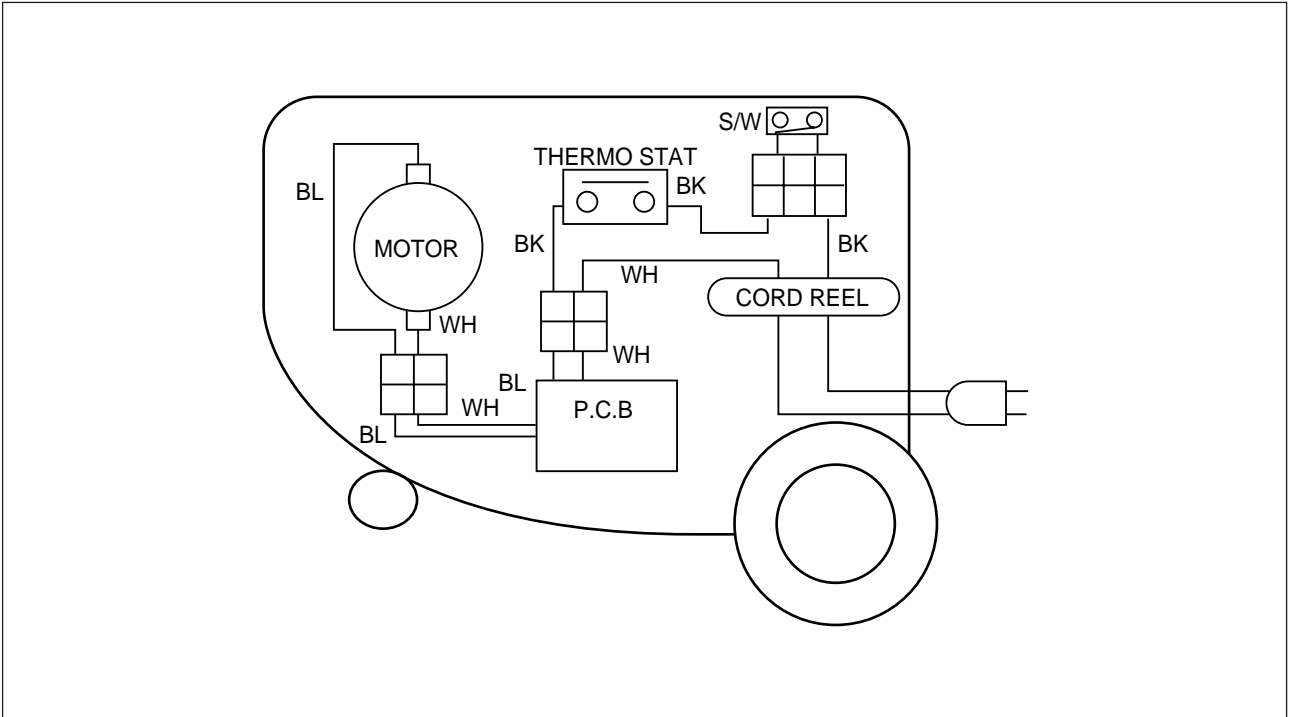
## 2-4. MODEL RC-805H



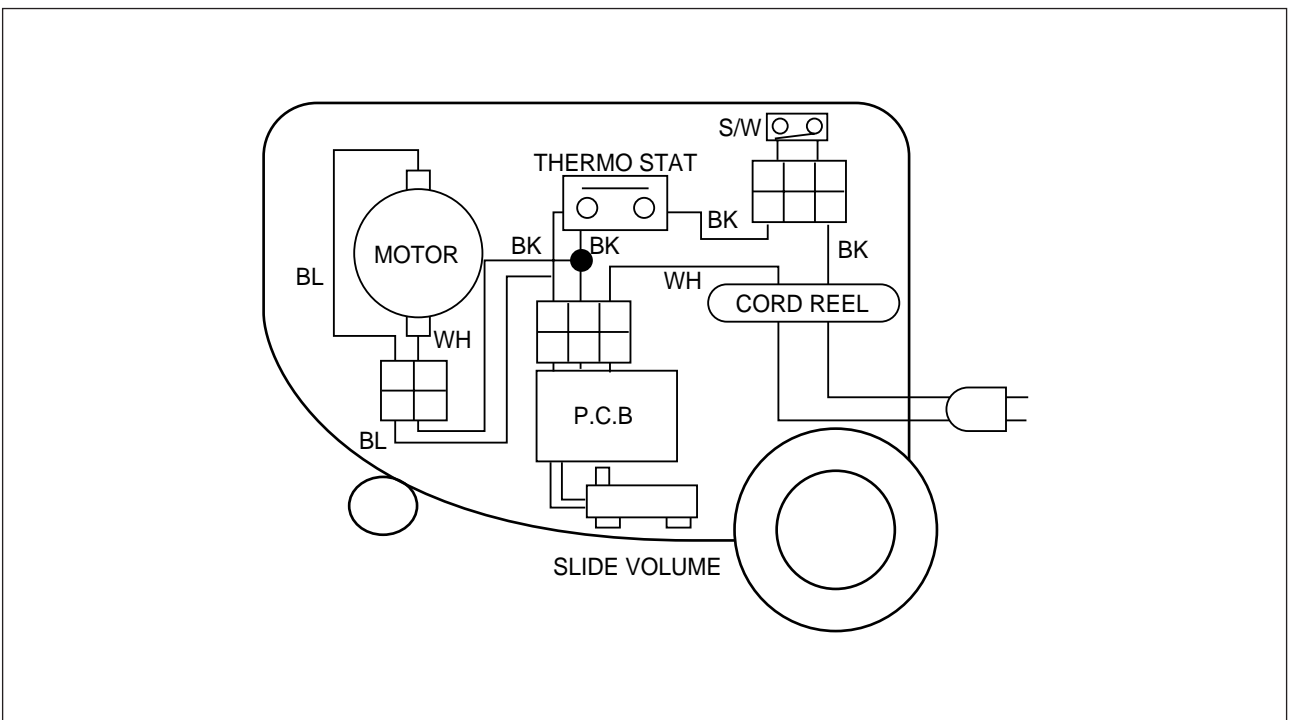
# 3. DIAGRAM

## 3-1. WIRING DIAGRAM

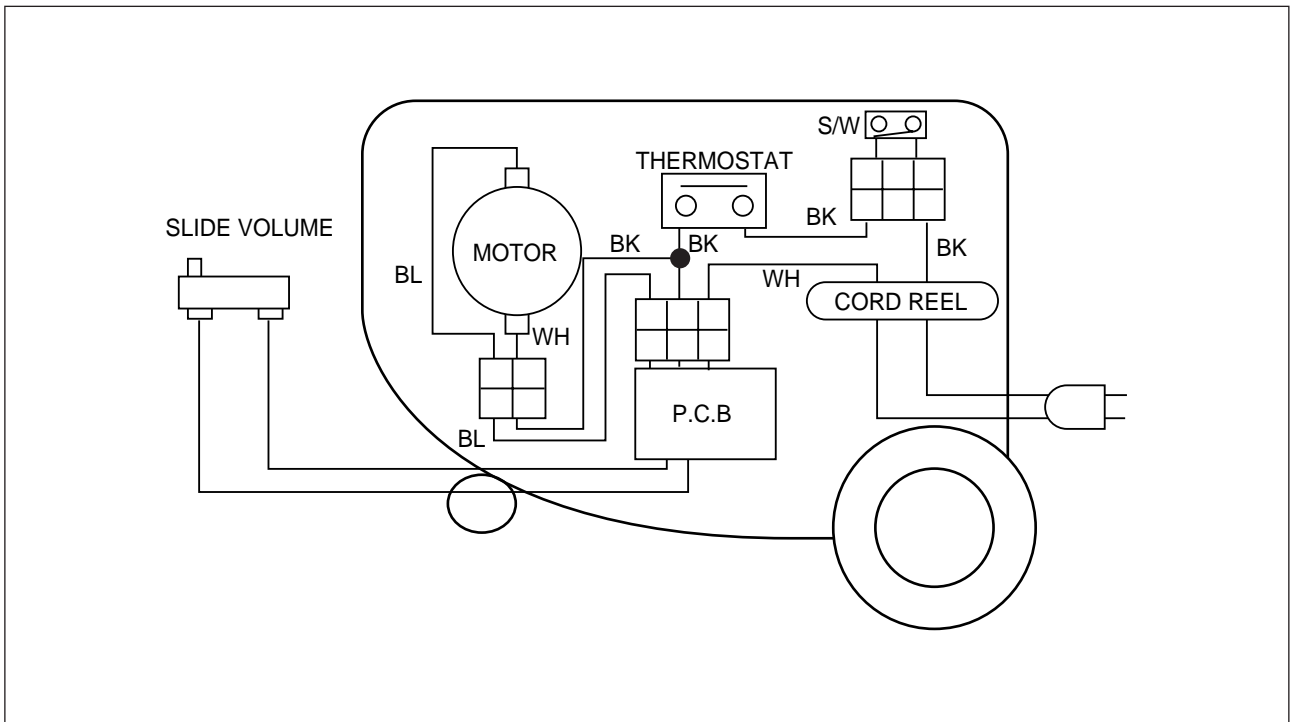
### 1) MODEL RC-805



### 2) MODEL RC-805B



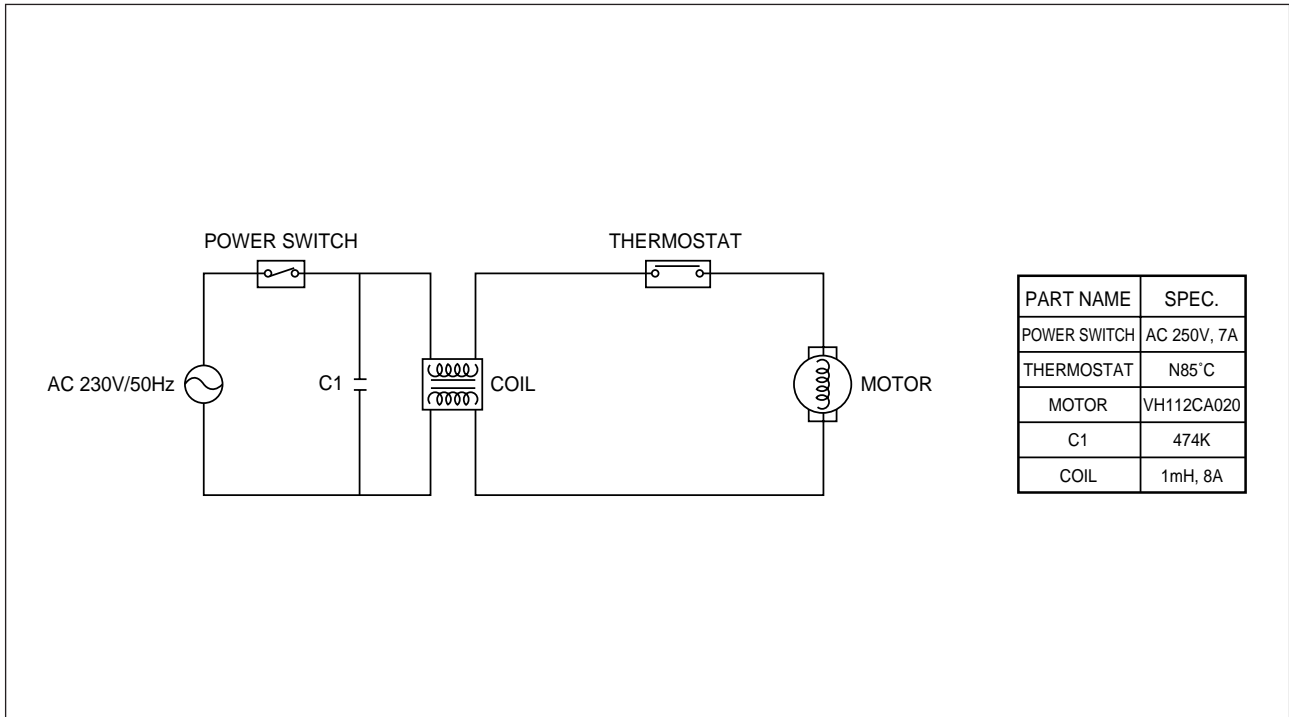
### 3) MODEL RC-805H



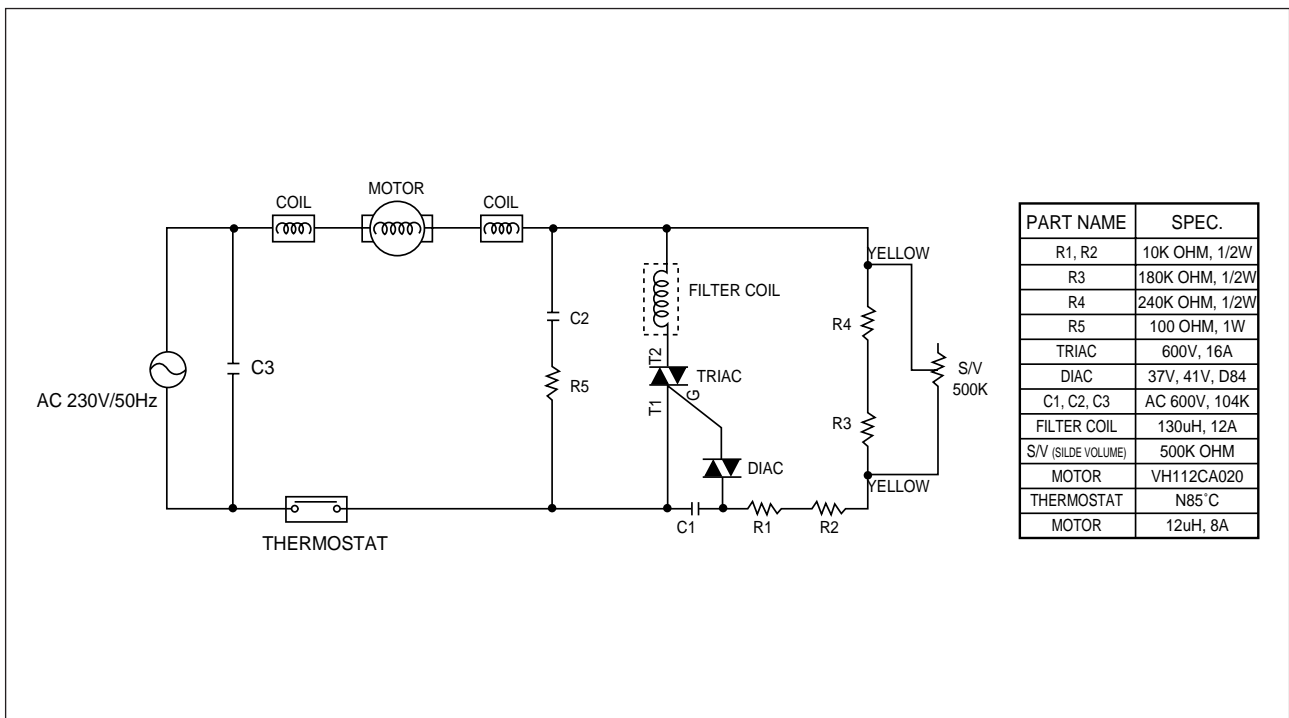


## 3-2. CIRCUIT DIAGRAM

### 1) MODEL RC-805



### 2) MODEL RC-805B



## 4. CAUSE OF TROUBLE AND COUNTERMEASURE

TROUBLE	CAUSE	COUNTERMEASURE
SUCTION POWER IS WEAK	FILTER BAG (PAPER OR CLOTH) IS FULL WITH DUST	CHANGE IT WITH NEW ONE
	CLOGGING OR TEAR IN HOSE	REMOVE OBSTACLE OR REPLACE THE HOSE
	DEFECTIVE MOTOR	REPLACE THE MOTOR (SEE 5-2)
CLEANER DOES NOT WORK	BREAKING IN POWER CORD (AT BLADE TIP OR ROOT OF PLUG)	REPLACE THE POWER CORD (SEE 5-3)
	BREAKING OF CONNECTIONS IN HOSE ASSEMBLY (805H)	REPAIR (SEE 5-4)
	DEFECTIVE SLIDE VOLUME LOCATED IN HOSE HANDLE (805H)	REPLACE IT (SEE 5-4)
	DEFECTIVE PCB ASSEMBLY (805, 805B, 805H)	REPLACE IT (SEE 6-1, 6-3)
	BREAKING OF CONNECTIONS OR POOR CONTACTS IN CORD REEL ASSEMBLY	REPAIR (SEE 5-3)
	DEFECTIVE MOTOR	REPLACE IT (SEE 5-2)
	BREAKING OF CONNECTIONS IN BODY ASSEMBLY	REPAIR
	DEFECTIVE SWITCH	REPLACE IT (SEE 6-3)
MOTOR DOES NOT STOP EVEN IF SWITCH OFF	DEFECTIVE PCB ASSEMBLY (805B, 508H)	REPLACE IT (SEE 6-1, 6-3)

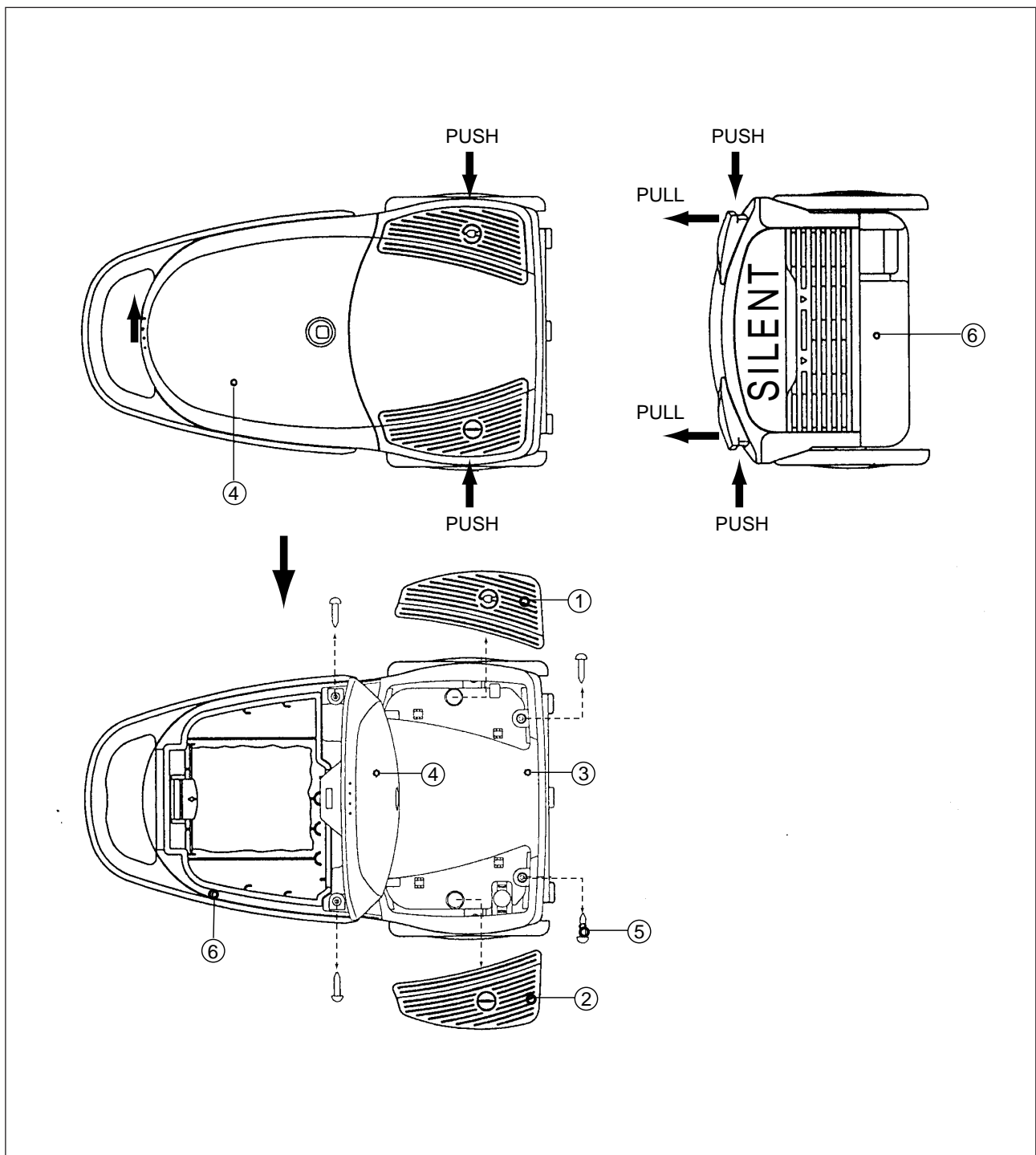
TROUBLE	CAUSE	COUNTERMEASURE
POWER CORD IS NOT WOUND UP	BROKEN REEL SPRING OF CORD REEL	REPLACE IT (SEE 5-3)
	POWER CORD BROKE AWAY FROM THE BOBBIN	REPAIR (SEE 5-3)

i CAUTION - BE CAREFUL WHEN BREAKING UP THE CORD REEL. THE REEL SPRING MAY SPRING OUT OF THE SPRING COVER.

POWER CORD DOES NOT STOP AT AN ARBITRARY POSITION	ABRASION OF THE ROLLER BRAKE OF CORD REEL	REPLACE THE ROLLER BRAKE (SEE 5-3)
	LEVER SPRING BROKE AWAY FROM THE CORD REEL BRACKET	REPAIR (SEE 5-3)

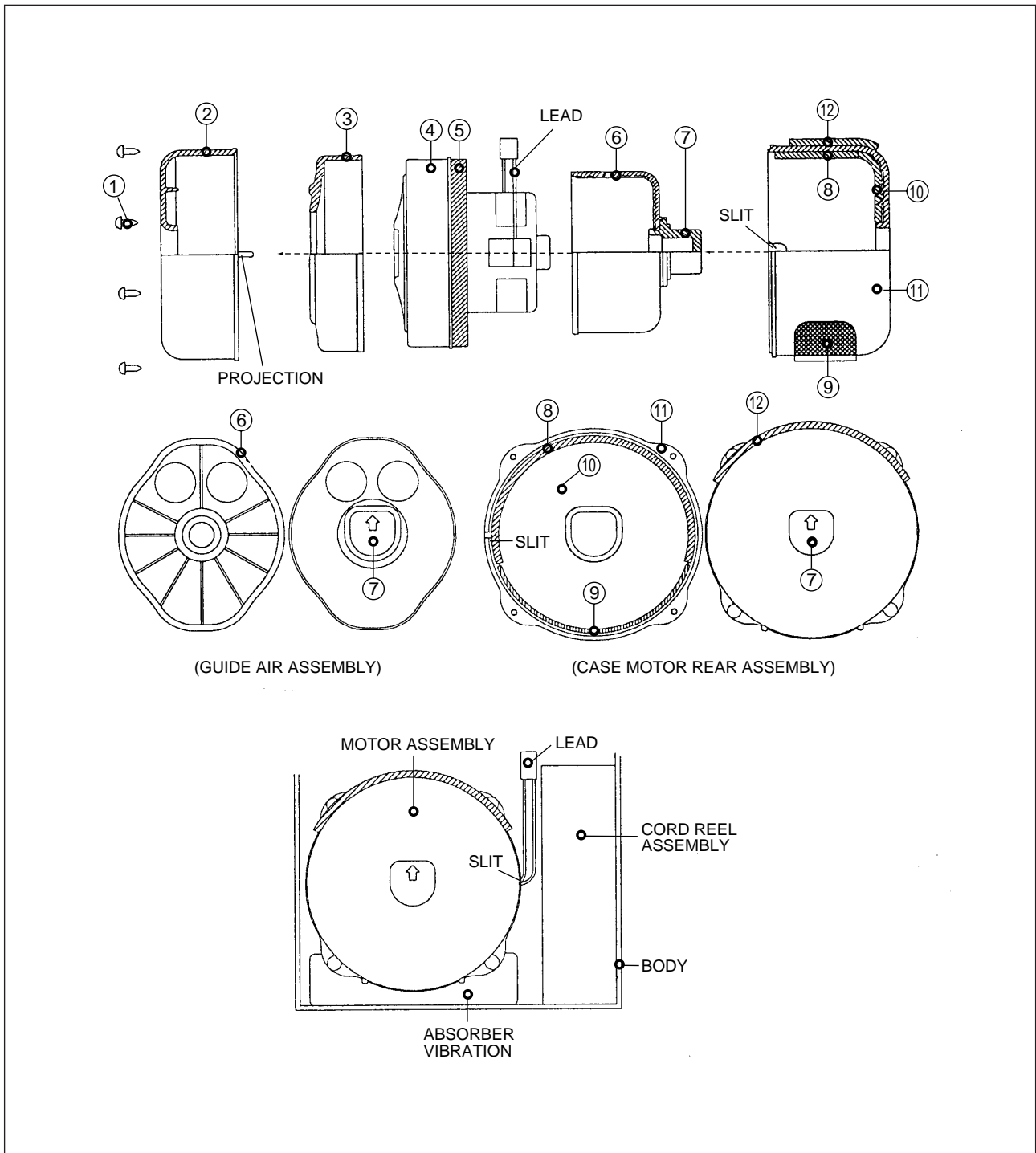
# 5. DISASSEMBLING AND TREATMENT

## 5-1. CLEANER ASSEMBLY



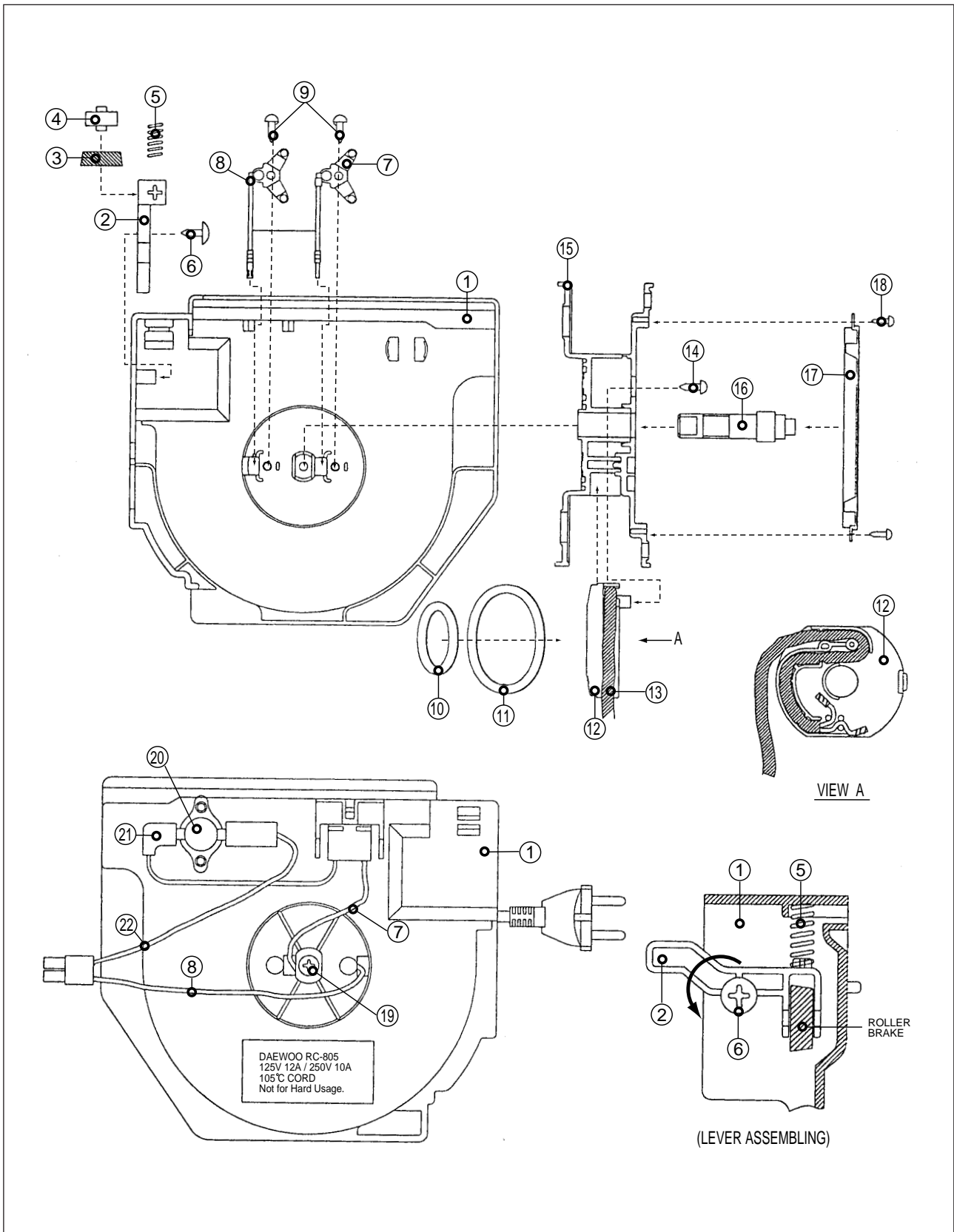
- 1) SEPARATE THE CORD REWIND BUTTON  $\square$  AND THE SWITCH BUTTON  $\square$  FROM THE BODY COVER  $\square$
- 2) OPEN THE DUST COVER  $\square$  AND UNSCREW THE 4 SCREW  $\square$  THEN LIFT THE COVER ASSEMBLY ( $\square$ ) UP FROM THE BODY ASSEMBLY  $\square$ .

## 5-2. MOTOR ASSEMBLY



- 1) TAKE THE MOTOR ASSEMBLY OUT OF THE BODY.
- 2) UNSCREW THE 4 SCREW □ .
- 3) CHECK THE MOTOR □ (WHETHER THE MOTOR IS BURNT OUT OR NOT).
- 4) WHEN ASSEMBLING, INSERT THE LEADS INTO THE SLIT AND MEET THE PROJECTION TO THE SLIT.

# 5-3. CORD REEL ASSEMBLY

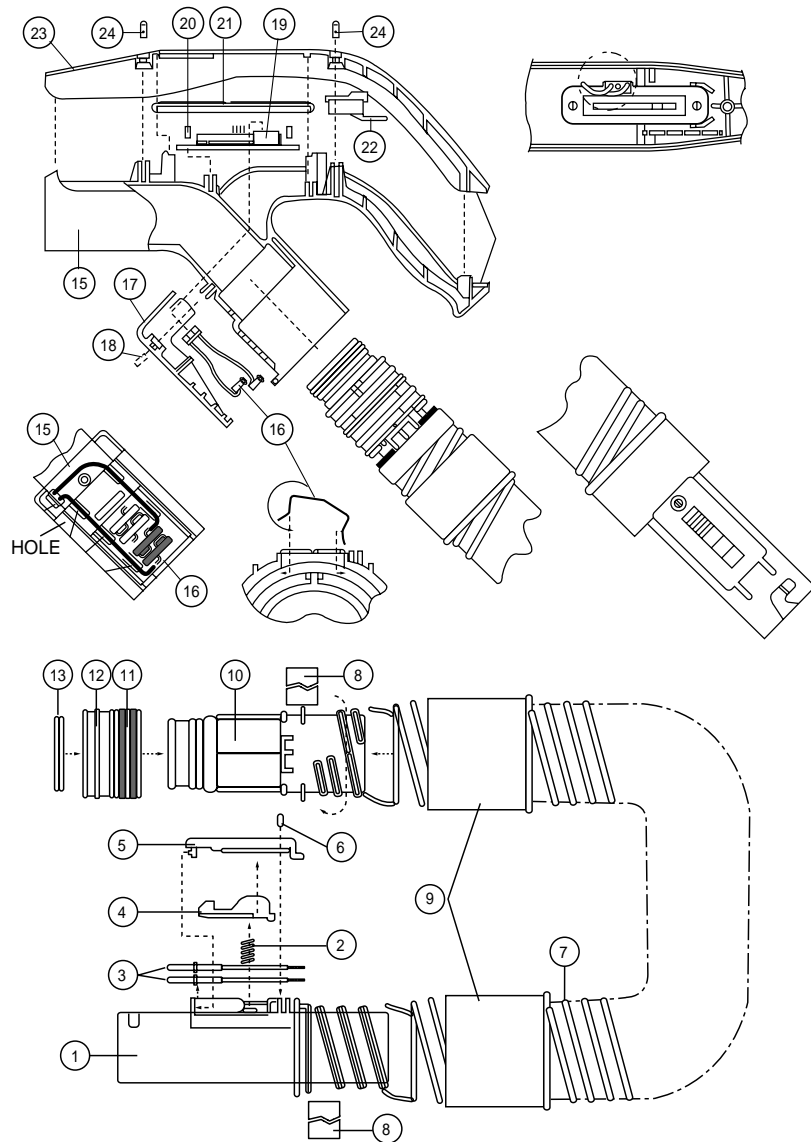


- 
- 1) TAKE THE CORD REEL OUT OF THE BODY.
  - 2) UNSCREW THE SCREW § AND SEPARATE THE BOBBIN α<sub>1</sub> FROM THE BRACKET α AND CHECK THE CONTACTS BETWEEN THE Y TYPE TERMINALS (α , α ) AND THE RING TYPE TERMINALS (α , α<sub>æ</sub>).
  - 3) CHECK THE LEVEL SPRING α°.
  - 4) IF THE ROLLER BRAKE α∅ IS WORN OUT, UNSCREW THE SCREW α AND SEPARATE THE LEVER α<sub>±</sub> FROM THE BRACKET α , THEN REPLACE THE ROLLER BRAKE α∅ AT THIS TIME, THE BOBBIN α<sub>1</sub> IS ROTATED COUNTERCLOCKWISE DUE TO THE PRESERVED WINDING.
  - 5) IF THE REEL SPRING §æ IS BROKEN, UNSCREW THE 2 SCREWS § AND REPLACE IT.

**CAUTION : WHEN DISASSEMBLING, THE REEL SPRING MAY SPRING OUT OF THE COVER.**

- 6) UNSCREW THE SCREW α AND PART BOBBIN α<sub>1</sub>.
- 7) CHECK THE CONNECTIONS BETWEEN THE POWER CORD α AND THE RING TERMINALS (α , α<sub>æ</sub>)
- 8) WHEN ASSEMBLING, MAKE THE RESERVED WINDING 6 REVOLUTIONS OF THE BOBBIN CLOCKWISE.

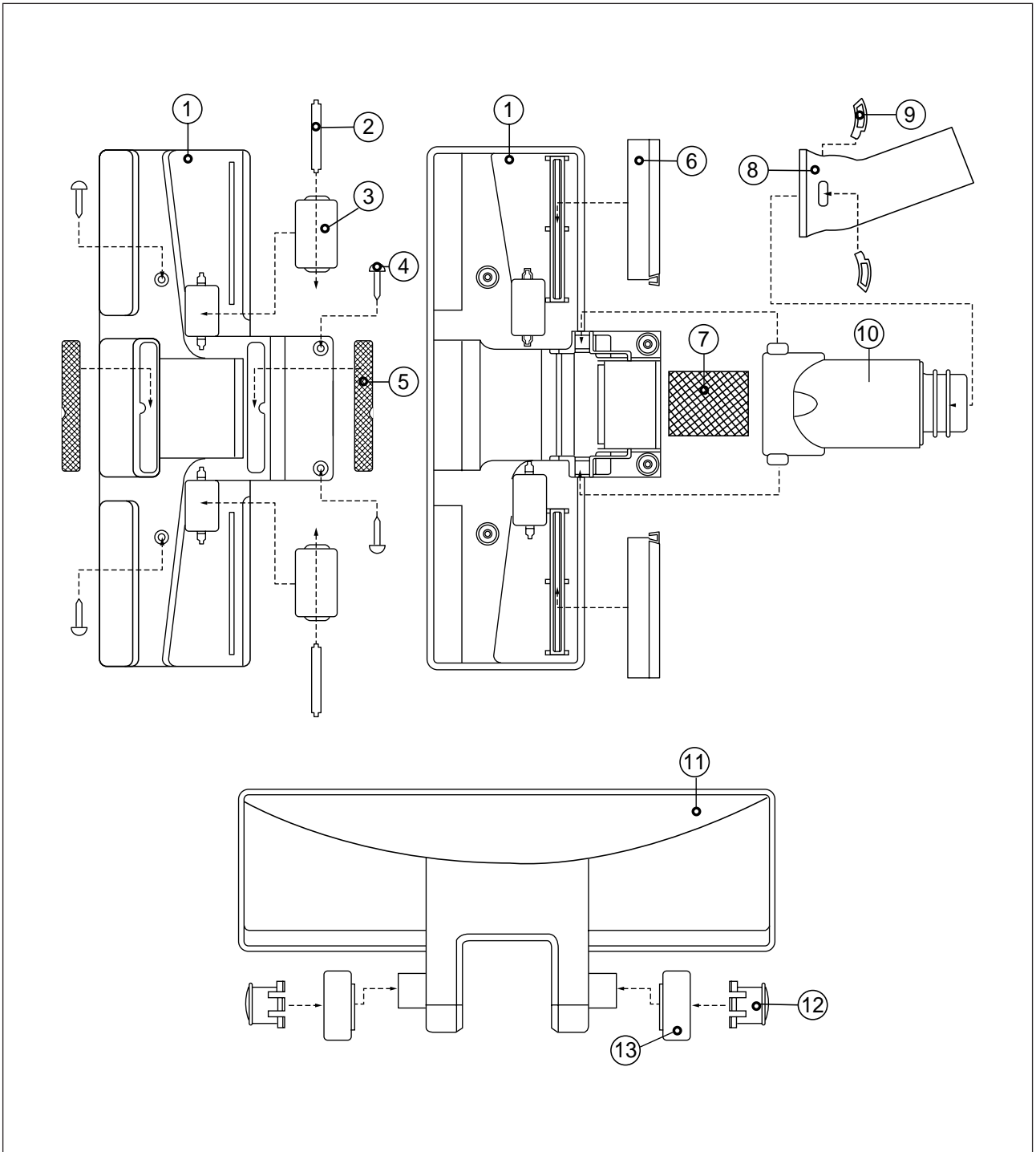
## 5-4. HOSE ASSEMBLY (RC-805H)



- 1) UNSCREW THE 2 SCREWS § AND CHECK WHETHER THE KNOB § IS BROKEN OR NOT.
- 2) CHECK THE SLIDE VOLUME § .
- 3) CHECK THE CONNECTIONS THE TERMINALS AND THE WIRES.
- 4) UNSCREW THE SCREW □ AND CHECK THE CONNECTIONS (□ □ □).
- 5) CHECK THE CONTACTS BETWEEN THE TERMINAL § AND THE TERMINAL □æ



## 5-5. WIDE SUCTION BRUSH

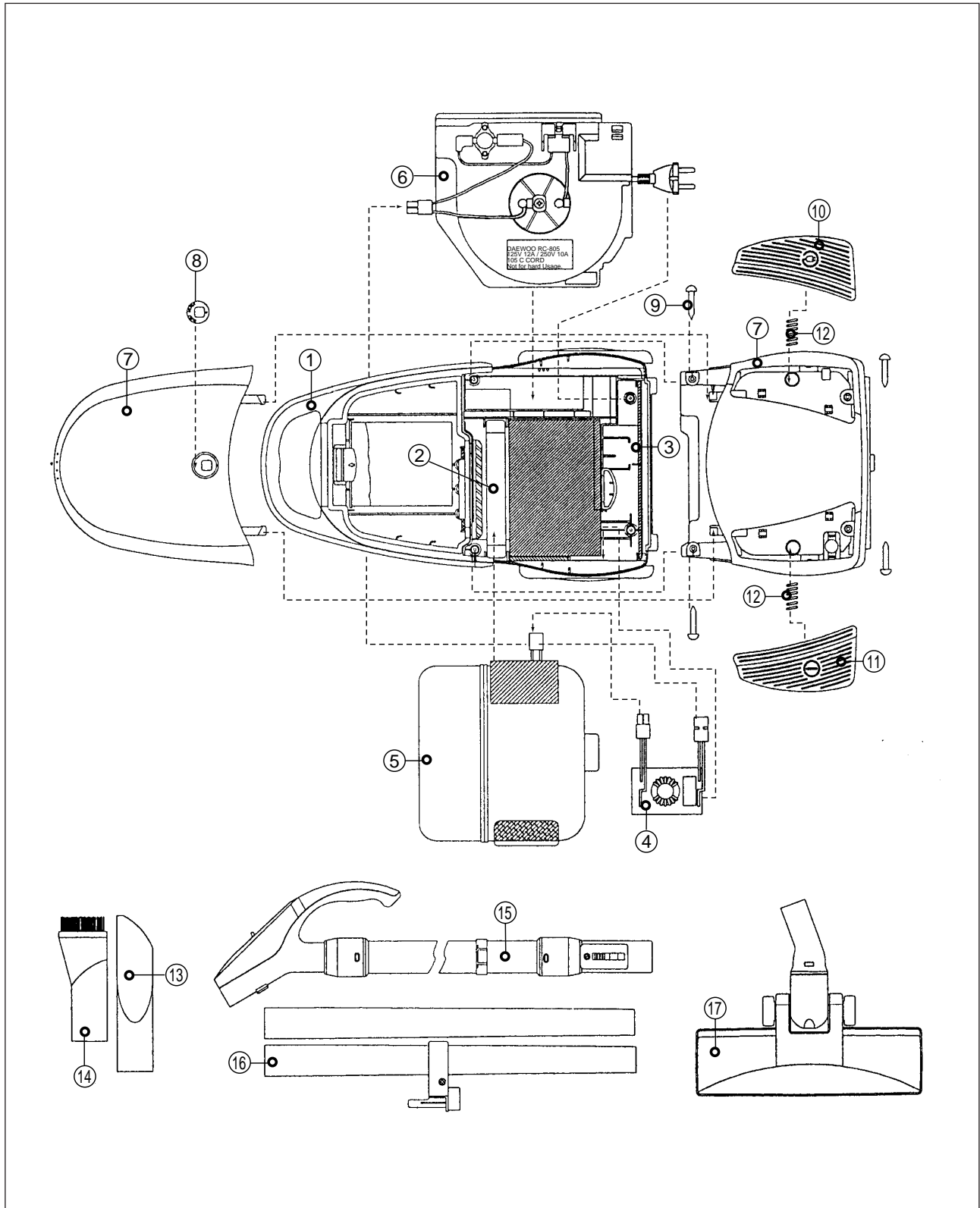


- 1) TO SEPARATE THE COVER FROM THE BODY , UNSCREW THE 4 SCREWS
- 2) TO SEPARATE THE PIPE FROM THE NECK , TAKE THE HOOKS OUT OF THE PIPE BY USING AN AWL.

# 6. EXPLODED VIEW AND PARTS LIST

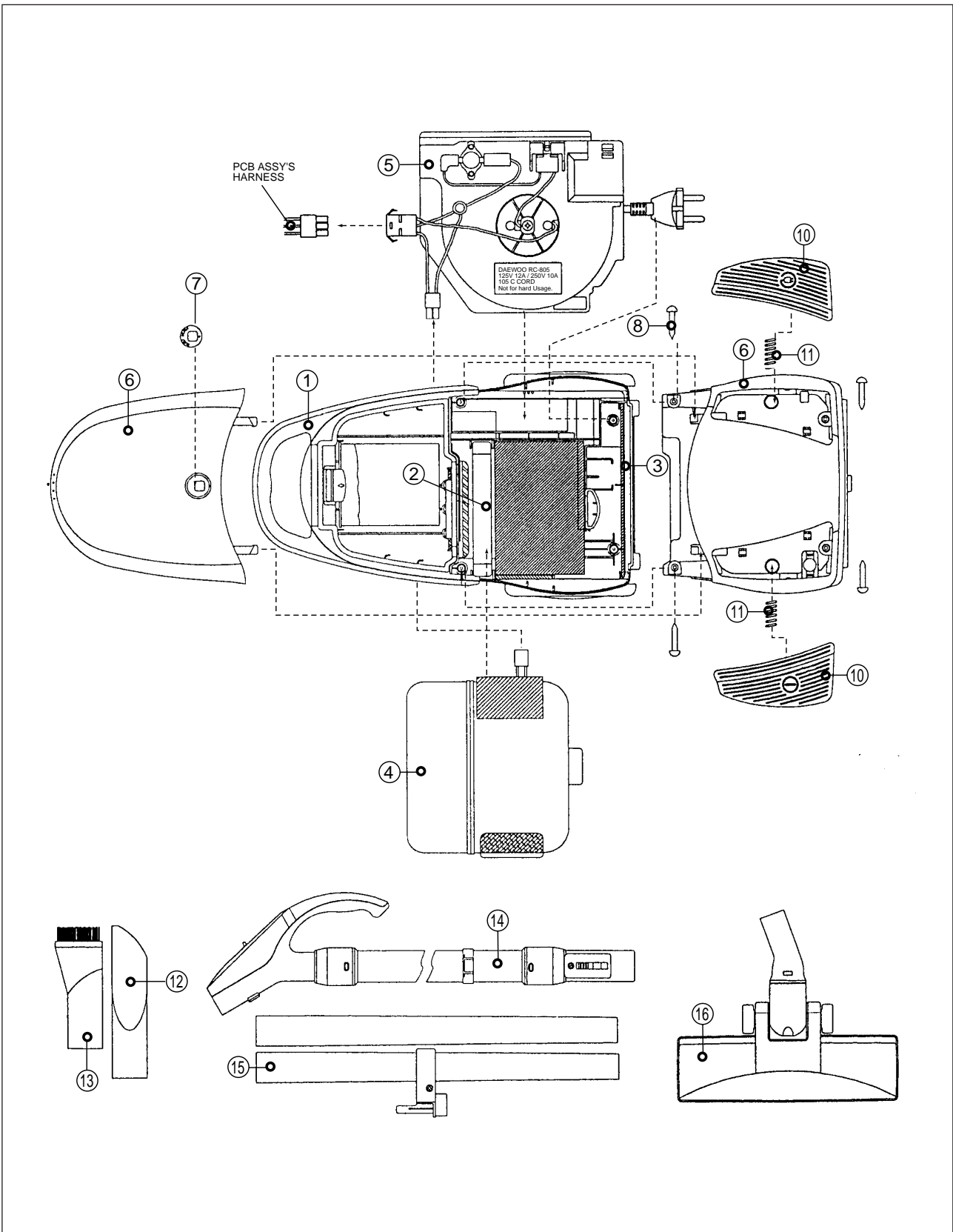
## 6-1. CLEANER ASSEMBLY

### 1) MODEL RC-805 (3620006100)



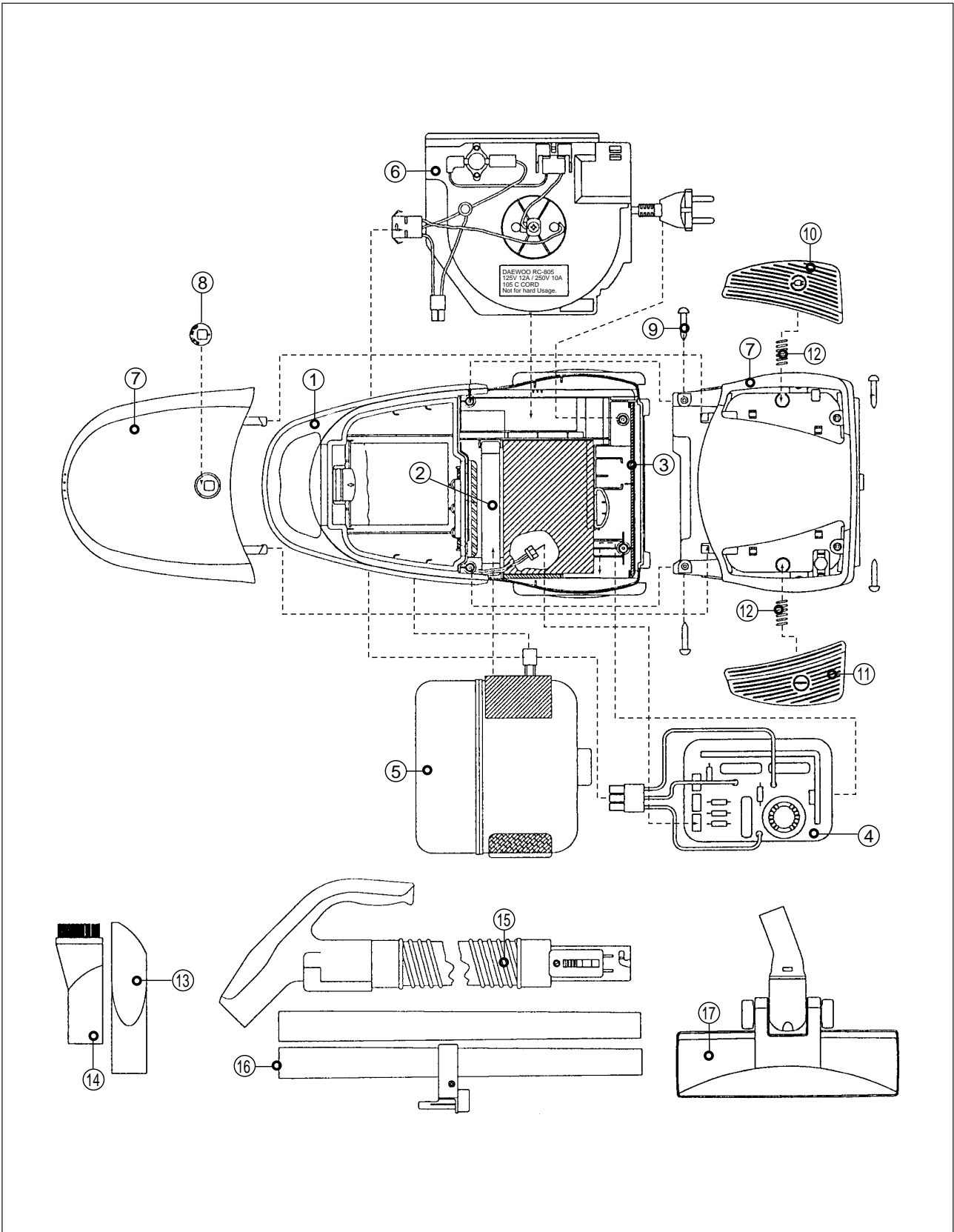
NO	PART NAME	PART CODE	SPECS.	QTY
1	BODY	3620404800	ASSY	1
2	ABSORBER VIBRATION	3620106600	CR FOAM	1
3	FILTER	3621903100	PE	1
4	PCB ASSY(FILTER)	3624305300	1MH, 104K, 230V/50HZ	1
5	ASSY MOTOR	3620006300	ASSY	1
6	CORD REEL AS	3629504600	ASSY	1
7	COVER AS	3621413900	ASSY	1
8	WINDOW DM	3625500600	FE FILM	1
9	SCREW TAPPING	7121402011	T2S PAN 4X20 MFZN	4
10	BUTTON CR	3626602300	ABS	1
11	BUTTON SW	3626602400	ABS	1
12	SPRING BUTTON	3625104400	HSW3	2
13	NOZZLE CREVICE	3628100300	PP	1
14	BRUSH DUSTING AS	3629303300	ASSY	1
15	HOSE AS	3623204800	ASSY	1
16	PIPE PLA AS	3624406800	ASSY, PLA+HOLD	1
17	BRUSH AS	3629303100	ASSY	1

## 2) MODEL RC-805B (3620006400)



<b>NO</b>	<b>PART NAME</b>	<b>PART CODE</b>	<b>SPECS.</b>	<b>QTY</b>
1	BODY	3620404800	ASSY	1
2	ABSORBER VIBRATION	3620106600	CR FOAM	1
3	FILTER	3621903100	PE	1
4	ASSY MOTOR	3620006300	ASSY	1
5	CORD REEL AS	3629504700	ASSY	1
6	COVER AS	3621414100	ASSY	1
7	WINDOW DM	3625500600	FE FILM	1
8	SCREW TAPPING	7121402011	T2S PAN 4X20 MFZN	4
9	BUTTON CR	3626602300	ABS	1
10	BUTTON SW	3626602400	ABS	1
11	SPRING BUTTON	3625104400	HSW 3	2
12	NOZZLE CREVICE	3628100300	PP	1
13	BRUSH DUSTING AS	3629303300	ASSY	1
14	HOSE AS	3623204800	ASSY	1
15	PIPE PLA AS	3624406800	ASSY, PLA+HOLD	1
16	BRUSH AS	3629303100	ASSY	1

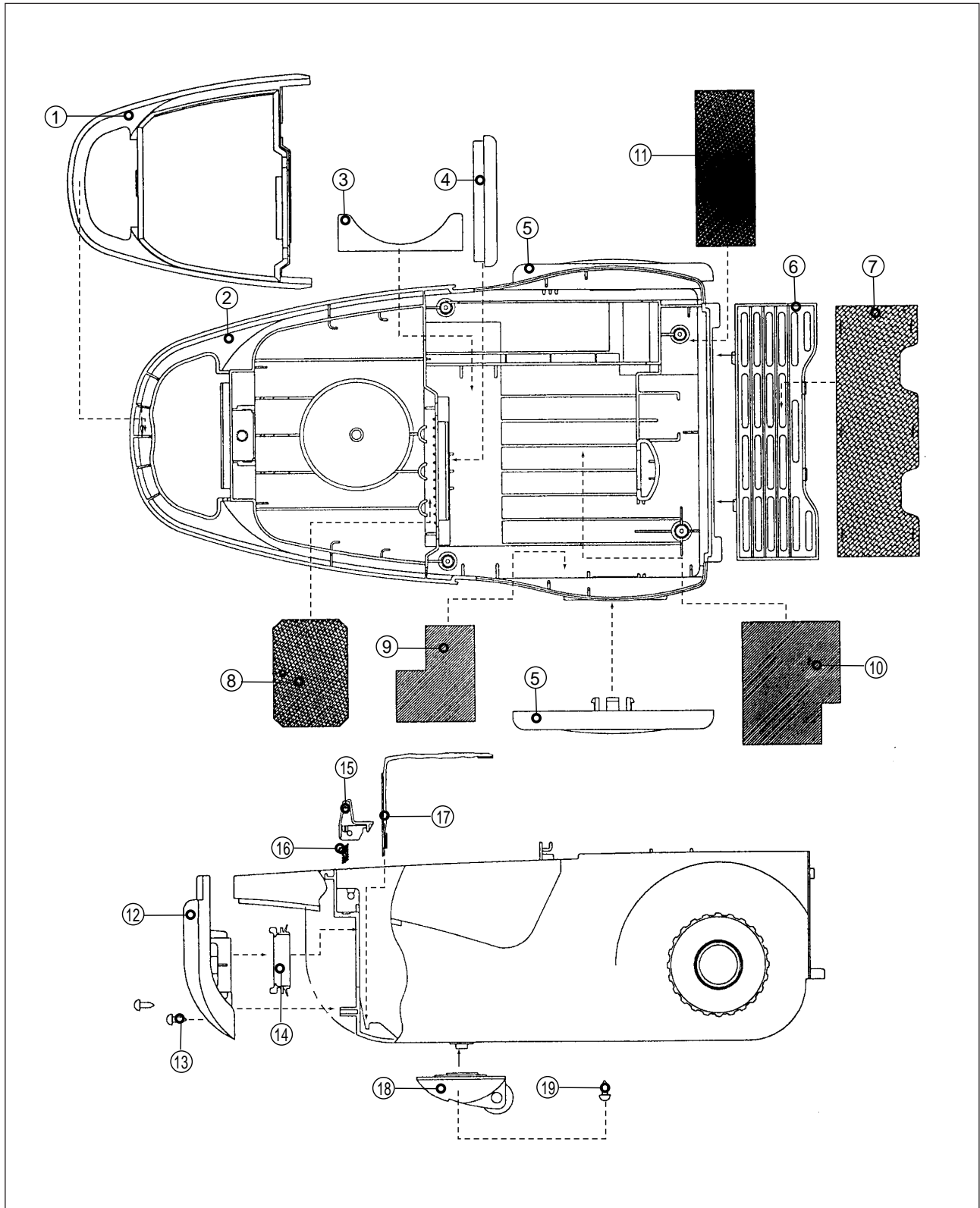
### 3) MODEL RC-805H (3620006200)



<b>NO</b>	<b>PART NAME</b>	<b>PART CODE</b>	<b>SPECS.</b>	<b>QTY</b>
1	BODY	3620404900	ASSY	1
2	ABSORBER VIBRATION	3620106600	CR FOAM	1
3	FILTER	3621903100	PE	1
4	PCB POWER CONTROL	3624303510	230V/50HZ	1
5	ASSY MOTOR	3620006300	ASSY	1
6	CORD REEL AS	3629504700	ASSY	1
7	COVER AS	3621413900	ASSY	1
8	WINDOW DM	3625500600	FE FILM	1
9	SCREW TAPPING	7121402011	T2S PAN 4X20 MFZN	4
10	BUTTON CR	3626602300	ABS	1
11	BUTTON SW	3626602400	ABS	1
12	SPRING BUTTON	3625104400	HSW 3	2
13	CREVICE TOOL	3628100300	PP	1
14	BRUSH DUSTING AS	3629303300	ASSY	1
15	HOSE SWING AS	3623203310	ASSY	1
16	PIPE PLA AS	3624406800	ASSY, PLA+HOLD	1
17	BRUSH AS	3629303100	ASSY	1

## 6-2. BODY ASSEMBLY

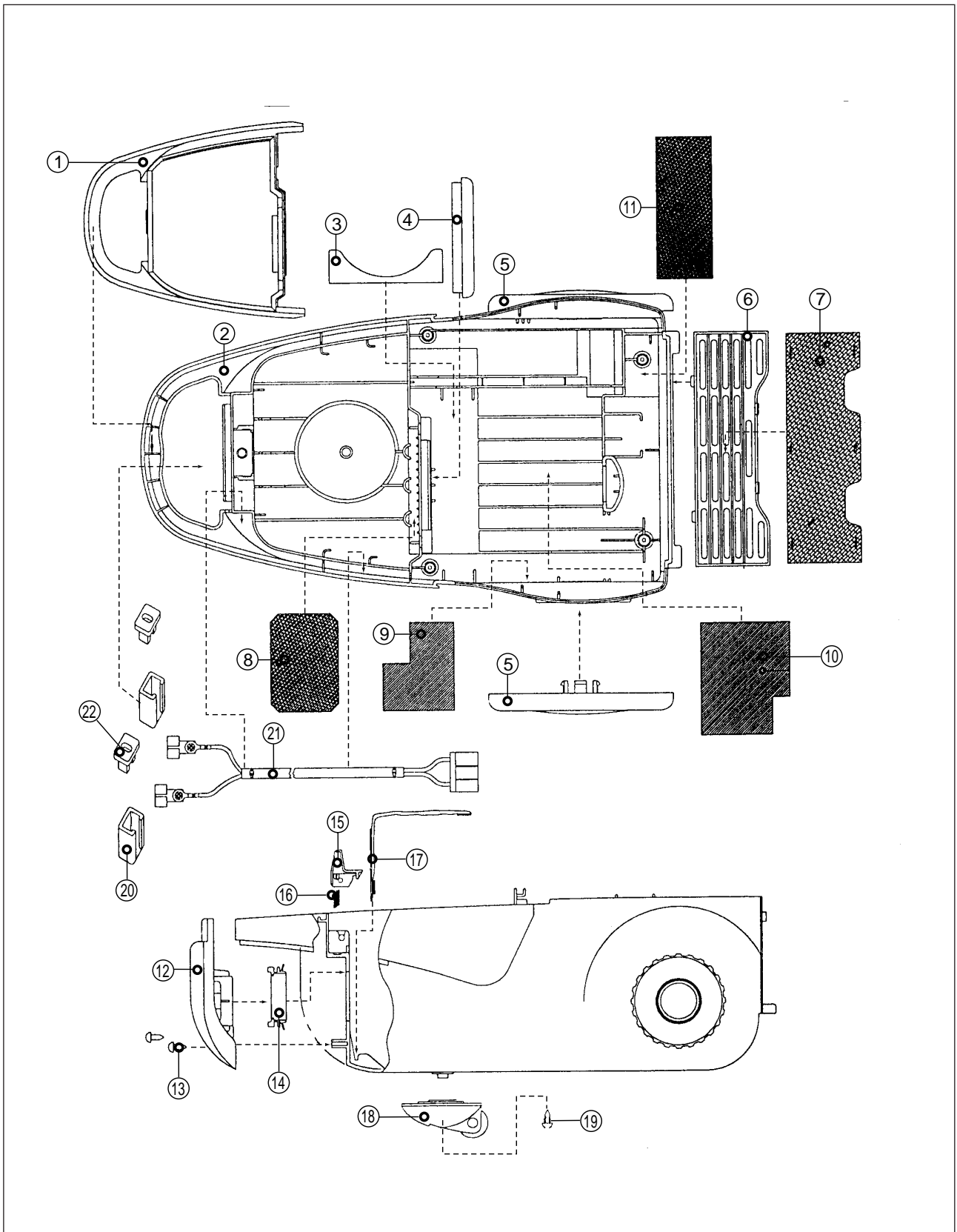
### 1) MODEL RC-805, RC-805B (3520404800)





<b>NO</b>	<b>PART NAME</b>	<b>PART CODE</b>	<b>SPECS.</b>	<b>QTY</b>
1	PROTECTOR	3628300600	PVC	1
2	BODY	3620404100	ABS	1
3	ABSORBER VIBRATION	3620106600	CR FOAM	1
4	PACKING CASE	3624000100	CR FOAM	1
5	ROLLER BACK	3624701800	PP	2
6	GRILLE	3622400600	ABS	1
7	FILTER	3621902500	PP FIBER	1
8	FILTER	3621902400	PE	1
9	ABSORBER SOUND	3620107300	FELT 5t	1
10	ABSORBER SOUND	3620105600	FELT 5t	1
11	FILTER	3621903100	PE	1
12	SOCKET	3629800400	ABS	1
13	SCREW TAPPING	7121401411	T2S PAN 4X14 MFZN	2
14	PACKING SOCKET	3624002000	CR	1
15	HOLDER FILTER	3623002000	ABS	1
16	SPRING	3625102700	HSW3	1
17	BAG FILTER	3620201600	2-LAYER, 4L	1
18	ROLLER AS	3624701300	PP	1
19	SCREW TAPPING	7128401211	T2S WAS 4X12	1

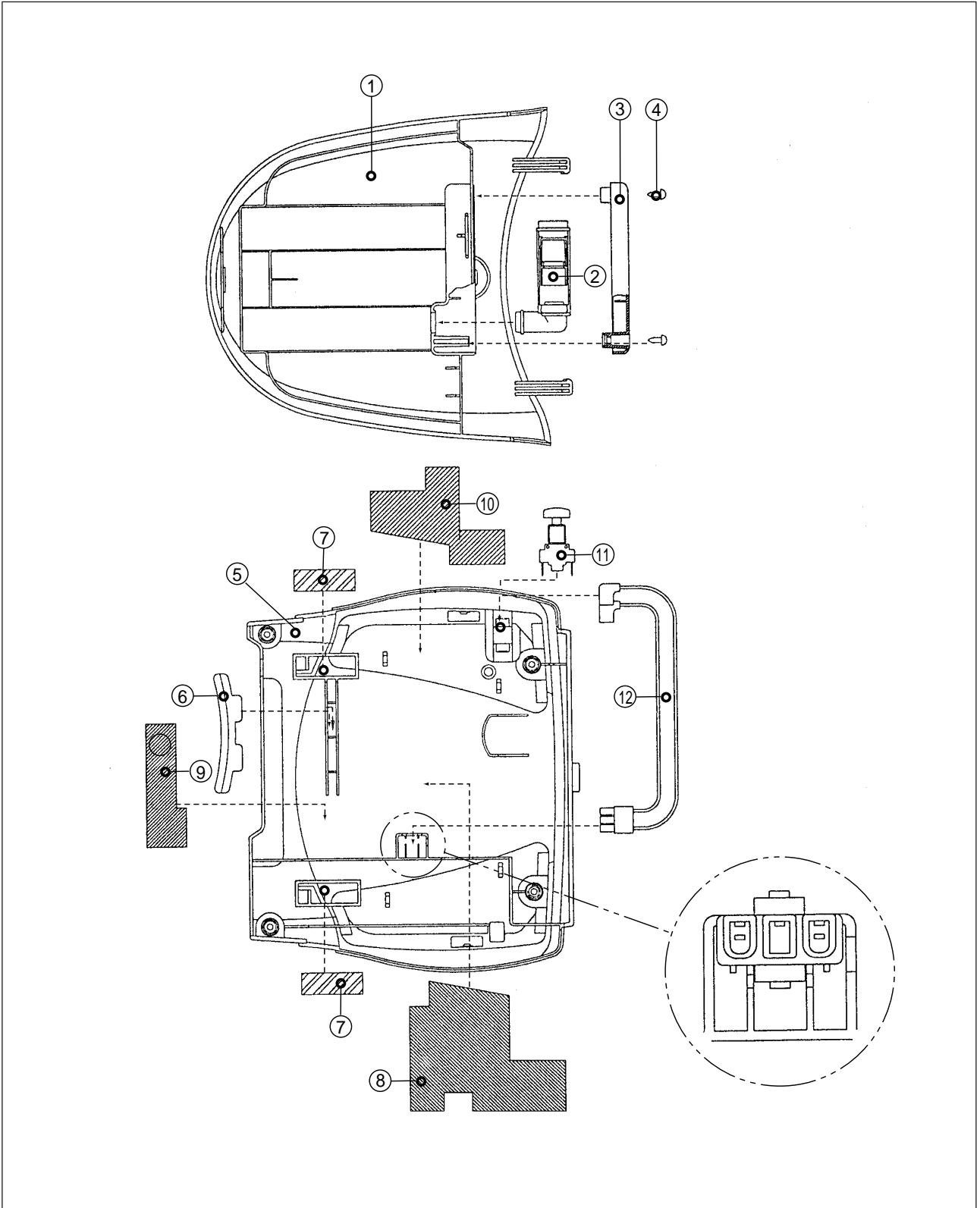
# 1) MODEL RC-805H (3620404900)



NO	PART NAME	PART CODE	SPECS.	QTY
1	PROTECTOR	3628300600	PVC	1
2	BODY	3620404100	ABS	1
3	ABSORBER VIBRATION	3620106600	CR FOAM	1
4	PACKING CASE	3624000100	CR FOAM	1
5	ROLLER BACK	3624701800	PP	2
6	GRILLE	3622400600	ABS	1
7	FILTER	3621902500	PP FIBER	1
8	FILTER	3621902400	PE	1
9	ABSORBER SOUND	3620107300	FELT 5t	1
10	ABSORBER SOUND	3620105600	FELT 5t	1
11	FILTER	3621903100	PE	1
12	SOCKET	3629800400	ABS	1
13	SCREW TAPPING	7121401411	T2S PAN 4X14 MFZN	2
14	PACKING SOCKET	3624002000	CR	1
15	HOLDER FILTER	3623002000	ABS	1
16	SPRING	3625102700	HSW3	1
17	BAG FILTER	3620201600	2-LAYER, 4L	1
18	ROLLER AS	3624701300	PP	1
19	SCREW TAPPING	7128401211	T2S WAS 4X12	1
20	CASE TERMINAL	3621101800	PC, BODY	2
21	TERMINAL AS	3628705500	TER+WIR+RING TER	1
22	CASE TERMINAL	3621101700	PC, COVER	2

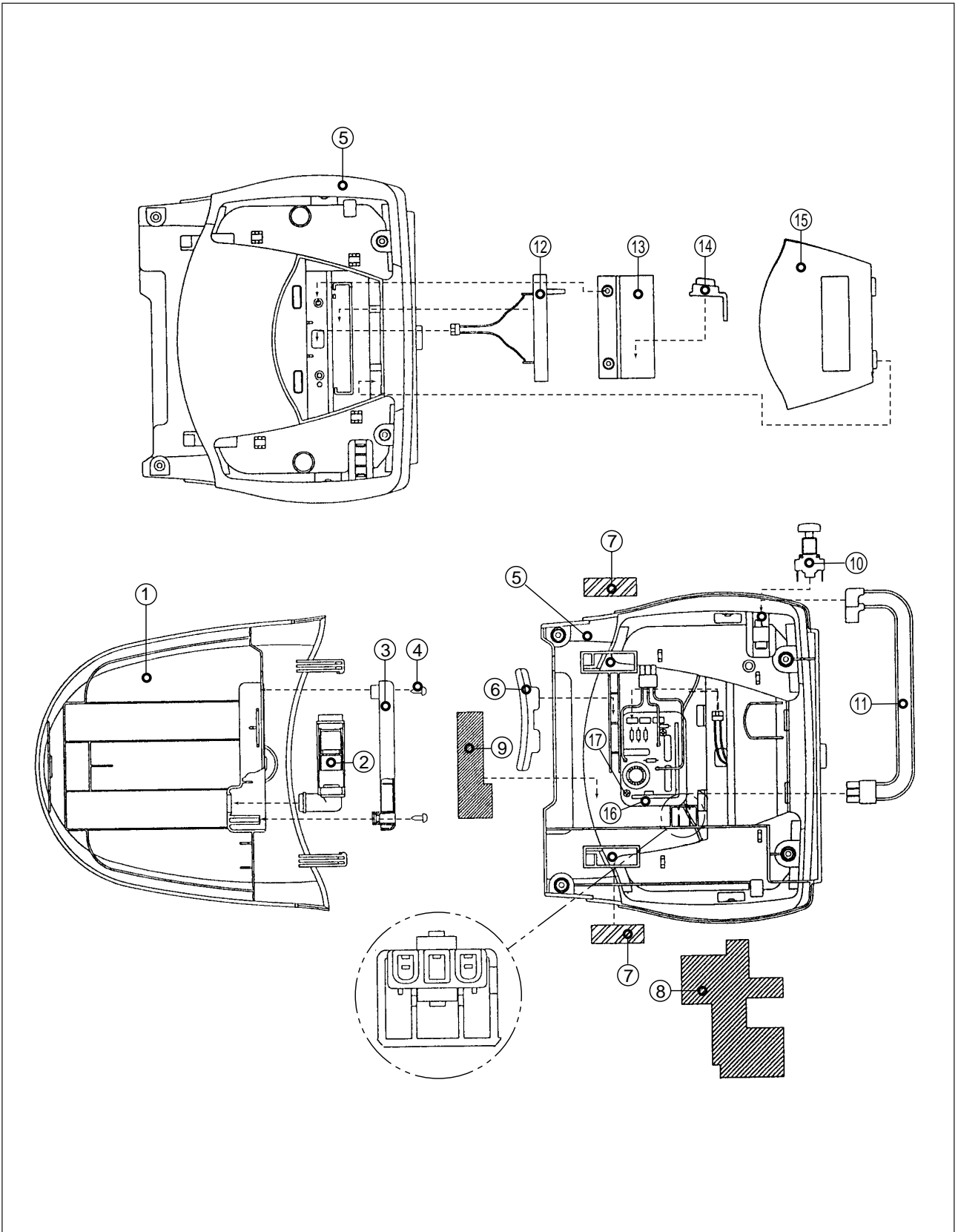
## 6-3. COVER ASSEMBLY

### 1) MODEL RC-805, RC-805H (3621413900)



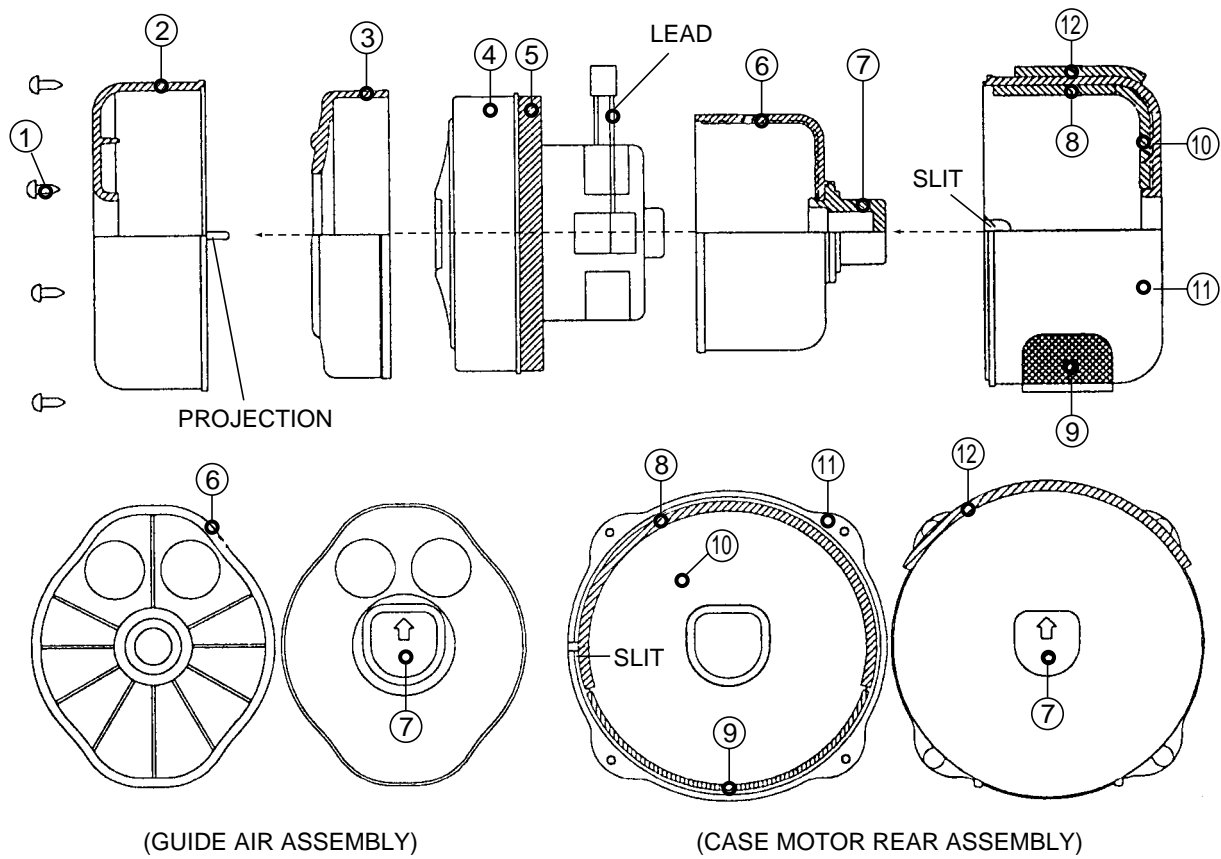
<b>NO</b>	<b>PART NAME</b>	<b>PART CODE</b>	<b>SPECS.</b>	<b>QTY</b>
1	COVER DUST	3621411800	ABS	1
2	DUST METER AS	3629701800	ASSY	1
3	COVER DM	3621412000	ABS	1
4	SCREW TAPPING	7121401411	T2S PAN 4X14	2
5	COVER BODY	3621412100	ABS	1
6	ABSORBER VIBRATION	3620102800	CR FAOM	1
7	PACKING HOLE	3624003700	ABS 1t	2
8	ABSORBER SOUND	3620106100	FELT 5t	1
9	ABSORBER SOUND	3620107600	FELT 5t	1
10	ABSORBER SOUND	3620107700	FELT 5t	1
11	SW PUSH	4569D37000	250AC 7A	1
12	HARNESS	3622708400	HOUSING+WIRE+TER.	1

## 2) MODEL RC-805B (3621414100)



<b>NO</b>	<b>PART NAME</b>	<b>PART CODE</b>	<b>SPECS.</b>	<b>QTY</b>
1	COVER DUST	3621411800	ABS	1
2	DUST METER AS	3629701800	ASSY	1
3	COVER DM	3621412000	ABS	1
4	SCREW TAPPING	7121401411	T2S PAN 4X14	2
5	COVER BODY	3621412200	ABS	1
6	ABSORBER VIBRATION	3620102800	CR FAOM	1
7	PACKING HOLE	3624003700	ABS 1t	2
8	ABSORBER SOUND	3620107900	FELT 5t	1
9	ABSORBER SOUND	3620107600	FELT 5t	1
10	SW PUSH	4569D37000	250AC 7A	1
11	HARNESS	3622708400	HOUSING+WIRE+TER.	1
12	SLIDE VOLUME ASSY	3629001600	ASSY	1
13	GUIDE KNOB	3622501100	ABS	1
14	KNOB	3623400500	ABS	1
15	COVER CONTROL	3621412300	ABS	1
16	PCB POWER CONTROL	3624303510	230V/50HZ	1
17	SCREW TAPPING	7121301211	T2S PAN 3X12	2

## 6-4. MOTOR ASSEMBLY (3620006300)

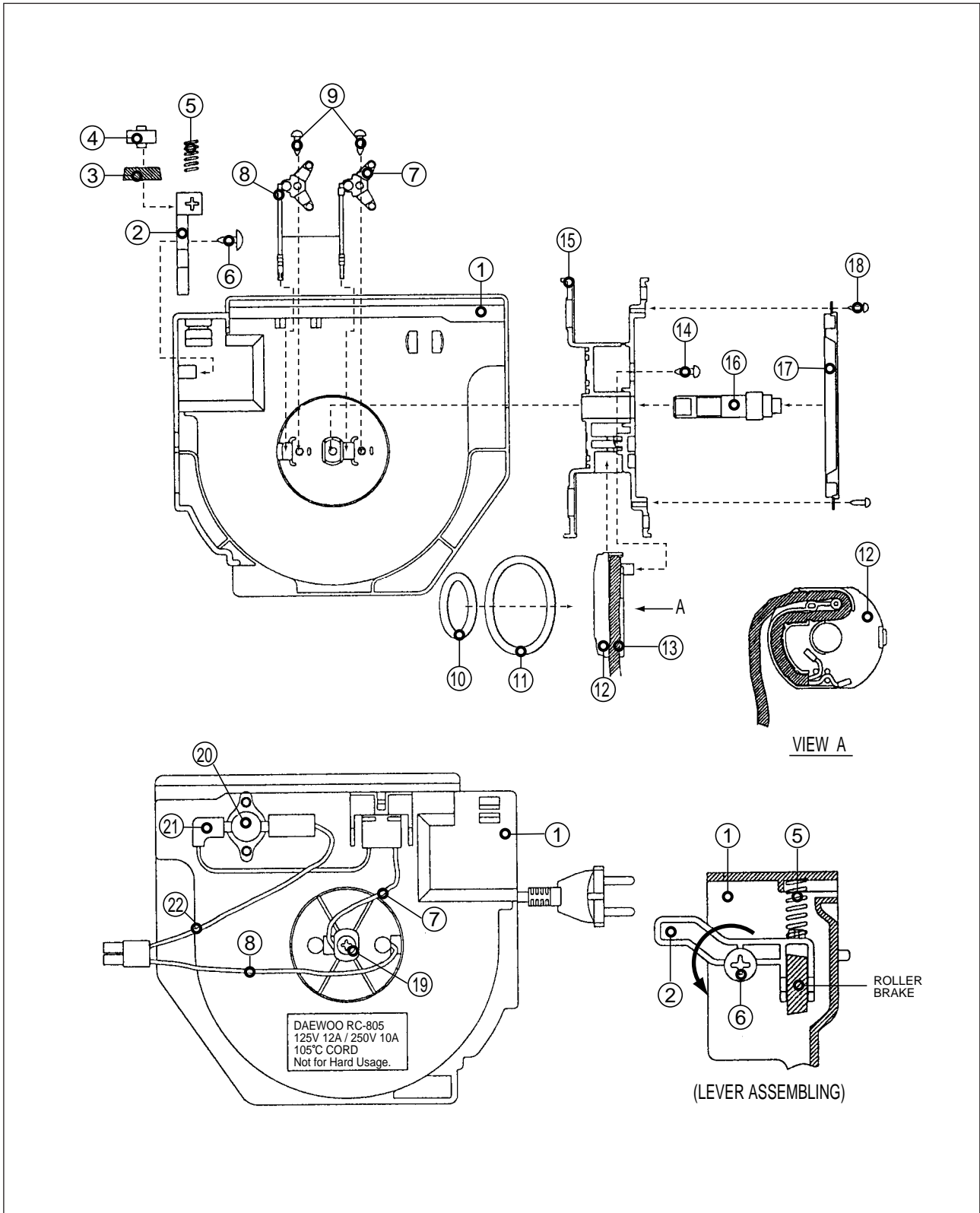




<b>NO</b>	<b>PART NAME</b>	<b>PART CODE</b>	<b>SPECS.</b>	<b>QTY</b>
1	SCREW TAPPING	7121401411	T2S PAN 4X14	4
2	CASE MOTOR FRONT	3621101900	ABS	1
3	PACKING MOTOR	3624000900	CR FOAM	1
4	MOTOR VC	3962511200	230V, 1200W, DMI	1
5	ABSORBER SOUND	3620105900	PU FAOM 20T	1
6	GUIDE AIR	3622501300	PC LEXAN 500	1
7	MOUNT MOTOR	3627900500	CR(DMI)	1
8	ABSORBER SOUND	3620105700	FELT 3t	1
9	FILTER	3621902600	PE	1
10	ABSORBER SOUND	3620106000	FELT 5t	1
11	CASE MOTOR REAR	3621102000	ABS	1
12	ABSORBER SOUND	3620106700	FELT 3t	1

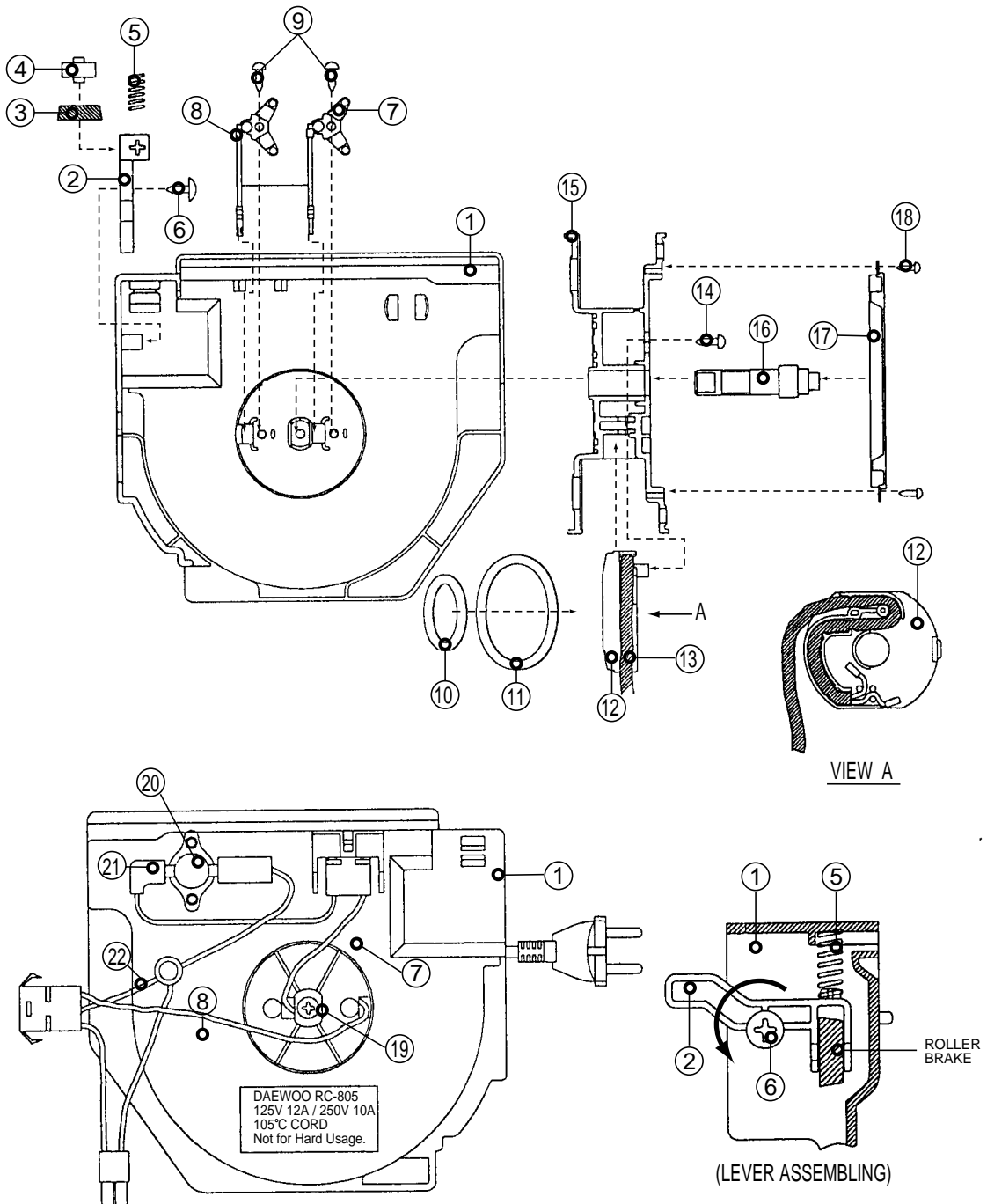
# 6-5. CORD REEL ASSEMBLY

## 1) MODEL RC-805 (3629504600)



<b>NO</b>	<b>PART NAME</b>	<b>PART CODE</b>	<b>SPECS.</b>	<b>QTY</b>
1	BRACKET CR	3620600900	PC LEXAN 500	1
2	LEVER CR	3623701600	PC LEXAN 121	1
3	STOPPER CR	4569C35082	NBR	1
4	FRAME STOPPER	4565A35070	POLY ACETAL	1
5	SPRING LEVER	3625104300	HSW3	1
6	SCREW TAPPING	7122400811	T2S TRS 4X8 MFZN	1
7	TERMINAL AS	3628706000	Y TER+BK+TAB	1
8	TERMINAL AS	3628706100	Y TER+WH+TAB	1
9	SCREW TAPPING	7121401411	T2S PAN 4X14 MFZN	2
10	TERMINAL OA	3628705800	C2801S-H. 0.5t	1
11	TERMINAL OB	3628705900	C2801S-H. 0.5t	1
12	SUPPORTER TERMINAL	3625300100	PC LEXAN 500	1
13	CORD AC	4569A36010	300V AC 15A CLASS-2	1
14	SCREW TAPPING	7121301411	T2S PAN 3X14 MFZN	1
15	BOBBIN	4569C35011	ABS	1
16	SHAFT CR	4569C35051	PC LEXAN 121	1
17	SPRING AS	3625102000	SUS301-EH+COVER	1
18	SCREW TAPPING	7121300811	T2S PAN 3X8 MFZN	2
19	SCREW TAPPING	7121401411	T2S PAN 4X14 MFZN	1
20	THERMOSTAT	4569B47002	PW-2 T85	1
21	HARNESS	3622707800	HOUS+WIRE+TER	1
22	HARNESS	3622708300	HOUS+WIRE+TER	1
23	WAX VASELINE	2291140301	VASELINE	0.001

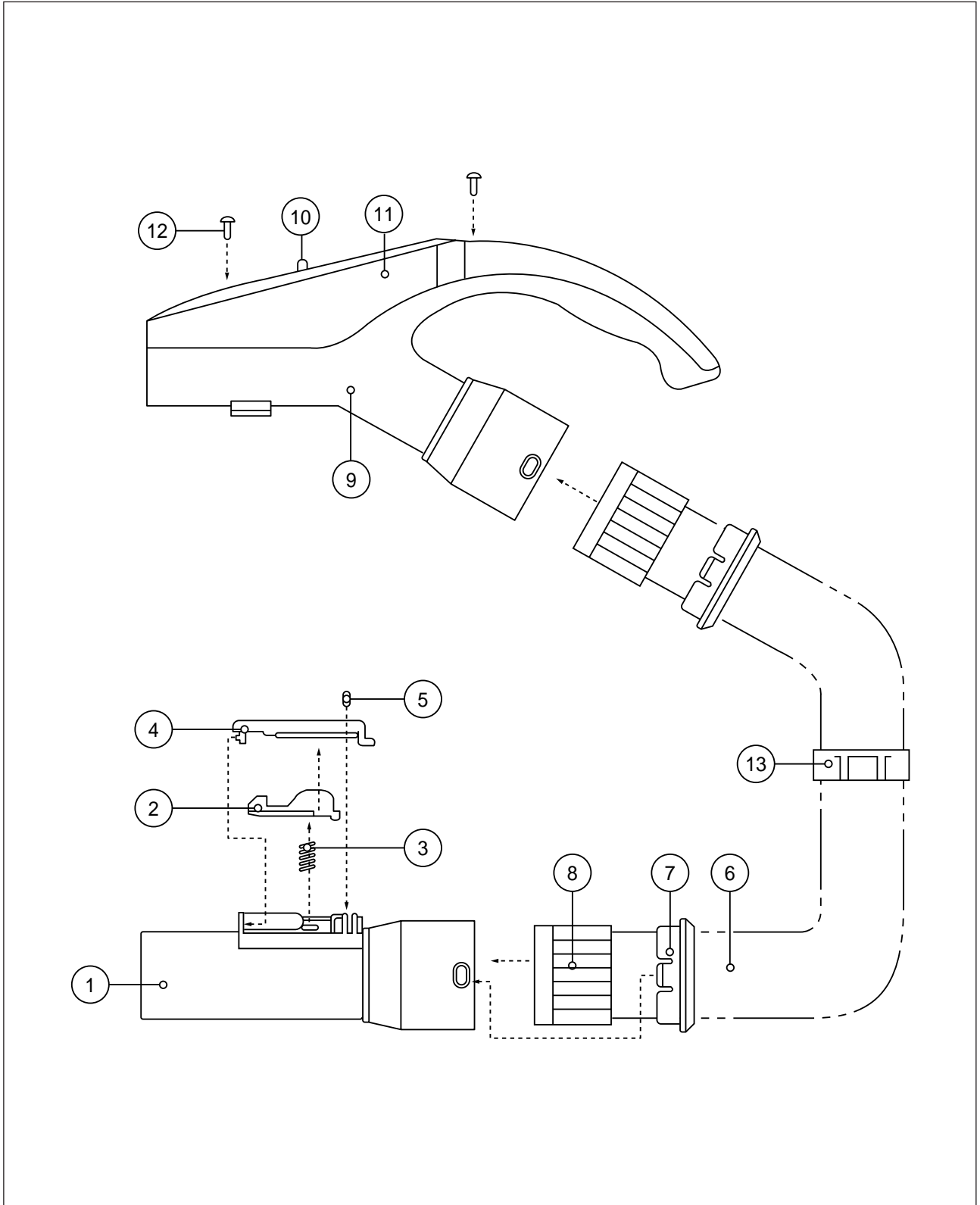
## 2) MODEL RC-805B, RC-805H (3629504700)



NO	PART NAME	PART CODE	SPECS.	QTY
1	BRACKET CR	3620600900	PC LEXAN 500	1
2	LEVER CR	3623701600	PC LEXAN 121	1
3	STOPPER CR	4569C35082	NBR	1
4	FRAME STOPPER	4565A35070	POLY ACETAL	1
5	SPRING LEVER	3625104300	HSW3	1
6	SCREW TAPPING	7122400811	T2S TRS 4X8 MFZN	1
7	TERMINAL AS	3628706000	Y TER+BK+TAB	1
8	TERMINAL AS	3628701900	Y TER+WH+TAB	1
9	SCREW TAPPING	7121408411	T2S PAN 4X14 MFZN	2
10	TERMINAL OA	3628705800	C2801S-H. 0.5t	1
11	TERMINAL OB	3628705900	C2801S-H. 0.5t	1
12	SUPPORTER TERMINAL	3625300100	PC LEXAN 500	1
13	CORD AC	4569A36010	300V AC 15A CLASS-2	1
14	SCREW TAPPING	7121301411	T2S PAN 3X14 MFZN	1
15	BOBBIN	4569C35011	ABS	1
16	SHAFT CR	4569C35051	PC LEXAN 121	1
17	SPRING AS	3625102000	SUS301-EH+COVER	1
18	SCREW TAPPING	7121300811	T2S PAN 3X8 MFZN	2
19	SCREW TAPPING	7121401411	T2S PAN 4X14 MFZN	1
20	THERMOSTAT	4569B47002	PW-2 T85	1
21	HARNESS	3622707800	HOUS+WIRE+TER	1
22	HARNESS	3622708500	HOUS+WIRE+TER	1
23	WAX VASELINE	2291140301	VASELINE	0.001

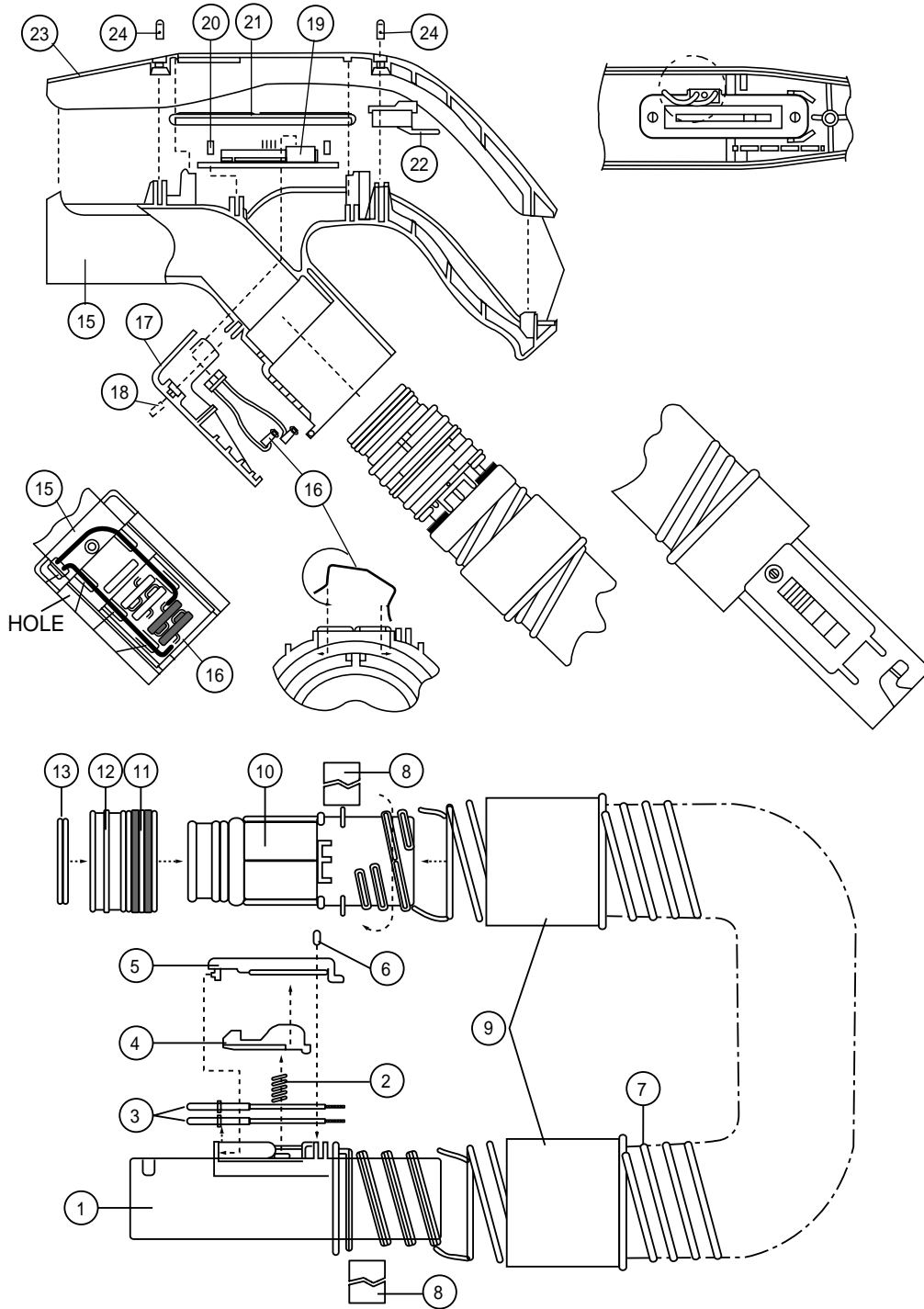
## 6-6. HOSE ASSEMBLY

### 1) MODEL RC-805, RC-805B (3623204800)



<b>NO</b>	<b>PART NAME</b>	<b>PART CODE</b>	<b>SPECS.</b>	<b>QTY</b>
1	ADAPTER PIPE	3629101000	ABS	1
2	CLAMP ADAPTER	3621200900	ABS	1
3	SPRING	3625102900	HSW3	1
4	COVER ADAPTER	3621412400	ABS	1
5	SCREW TAPPING	7121300812	T2S PAN 3X8 MFZN	1
6	HOSE	3623201120	EVA 1.5M	1
7	HOLDER HOSE	4569A71021	PP	2
8	CUFF HOSE	3626800200	LDPE	2
9	PIPE HOSE	3624402100	ABS	1
10	VALVE	3625400200	ABS	1
11	COVER PIPE	3621405600	ABS	1
12	SCREW TAPPING	7121301212	T2S PAN 3X12 MFZN	1
13	HOOK HOSE	4560F77000	PP	1

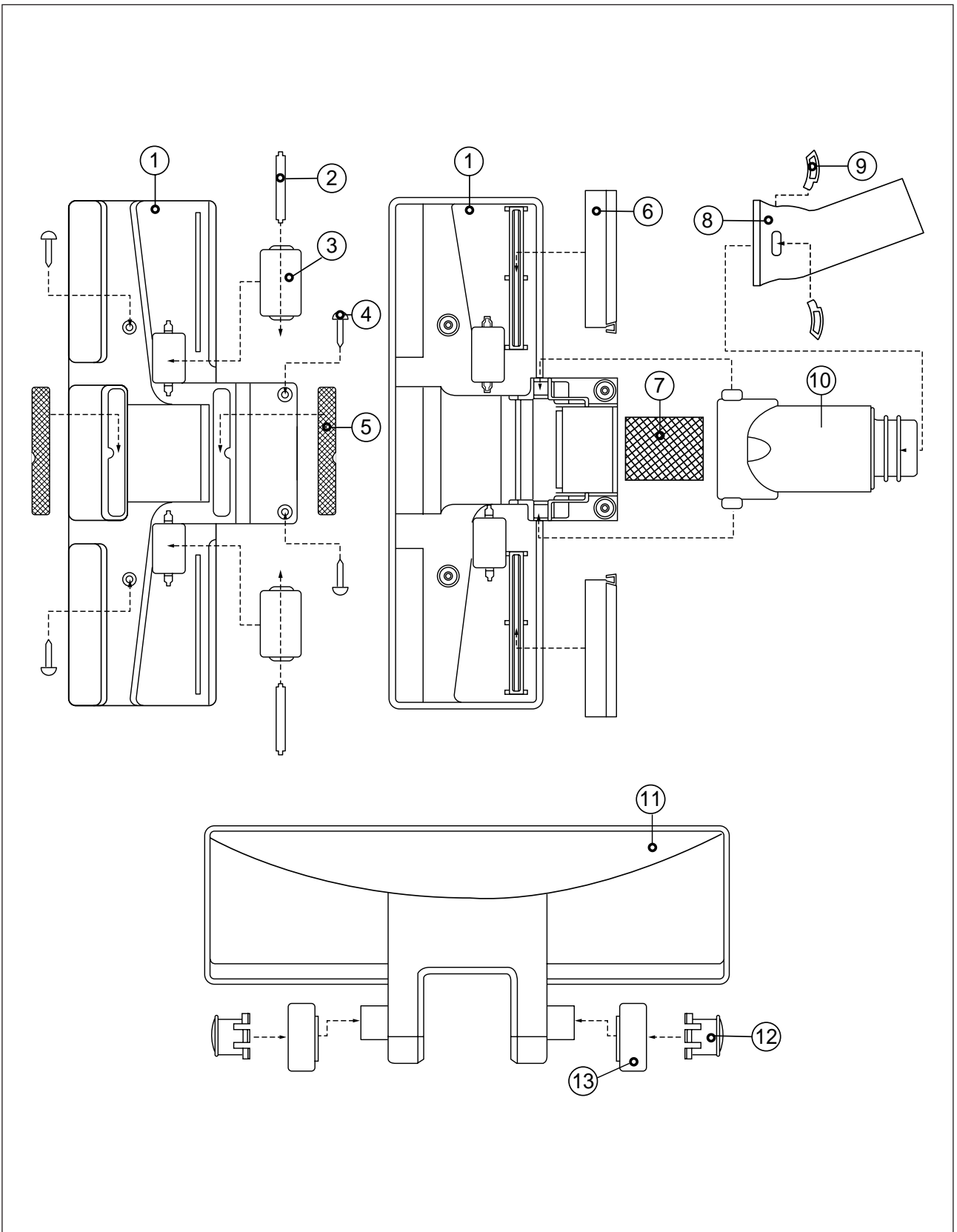
## 2) MODEL RC-805H (3623203310)





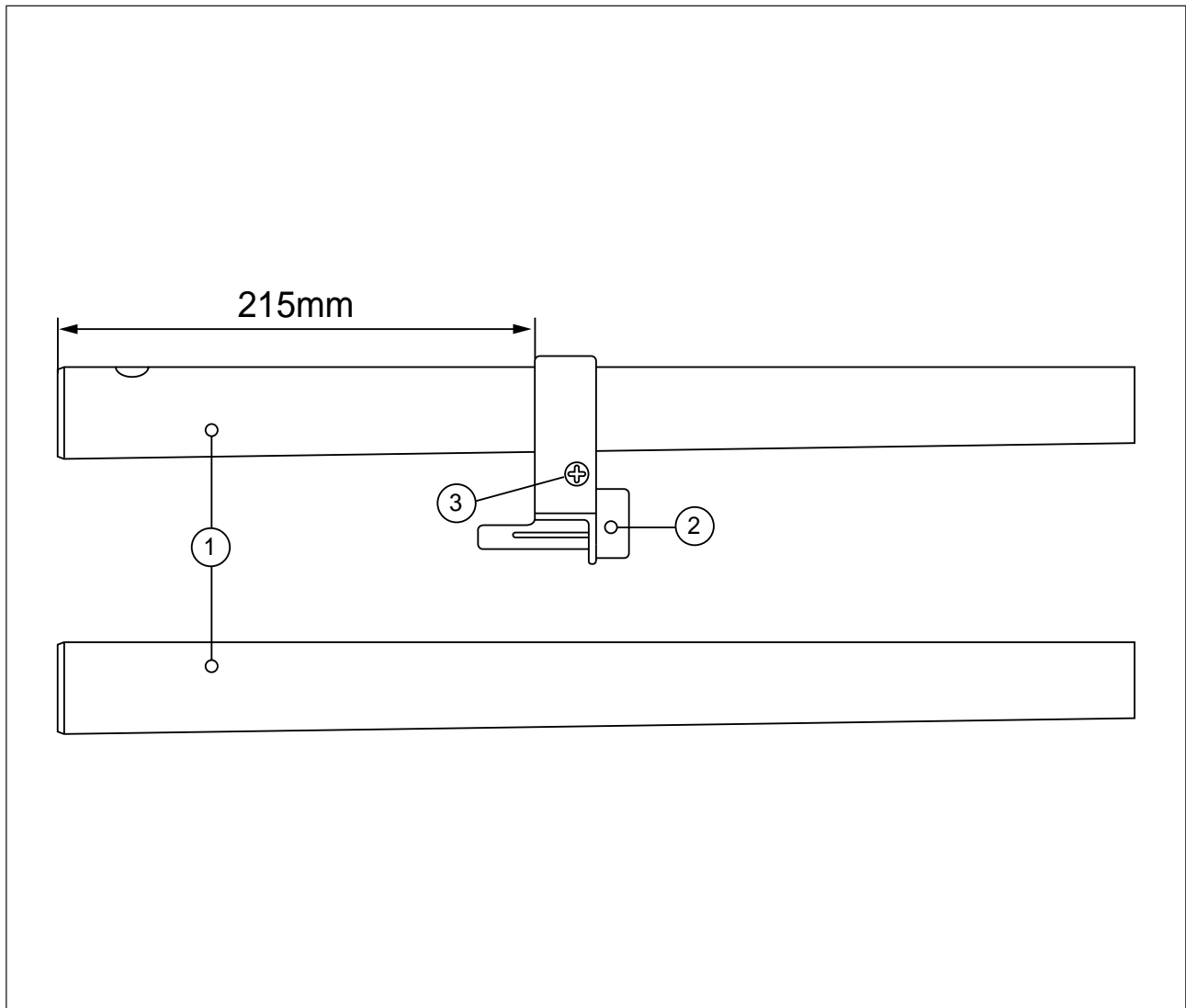
NO	PART NAME	PART CODE	SPECS.	QTY
1	ADAPTER	3629100310	PC, LEXAN-121	1
2	SPRING	3625102900	HSW3	1
3	TERMINAL AS	3628705700	TERMINAL+WIRE	2
4	CLAMP ADAPTER	3621200900	ABS	1
5	COVER ADAPTER	3621405910	PC, LEXAN-121	1
6	SCREW TAPPING	7121300811	T2S PAN 3X8	1
7	HOSE	3623204200	PVC-S/SWRS	1
8	TAPE VINYL	2TU00019BK	19mm BLACK	0.5
9	COVER HOSE	4565A70040	PP	2
10	ADAPTER PIPE	3629100410	PC, LEXAN-121	1
11	FRAME TERMINAL	3622200510	PC, LEXAN-121	1
12	FRAME TERMINAL AS	3622200710	FRAME+TERMINAL AS	1
13	PACKING PIPE	3624002400	NBR	1
14	WAX SILICON	2291140201	TSC987 1 CAN-200g	
15	PIPE HOSE	3624403810	PC, LEXAN-121	1
16	TERMINAL AS	3628704600	TERMINAL+WIRE+RECE	2
17	COVER TERMINAL	3621409010	PC, LEXAN-121	1
18	SCREW TAPPING	7121301011	T2S PAN 3X10	1
19	PCB SLIDE VOLUME AS	3624304800	500K	1
20	SCREW TAPPING	7121300800	T2S PAN 3X8	2
21	PLATE	3624500200	ABS	1
22	KNOB	3623400100	PC	1
23	COVER PIPE	3621409700	ABS	1
24	SCREW TAPPING	7121301211	T2S PAN 3X12	2

## 6-7. WIDE SUCTION BRUSH (3629303100)



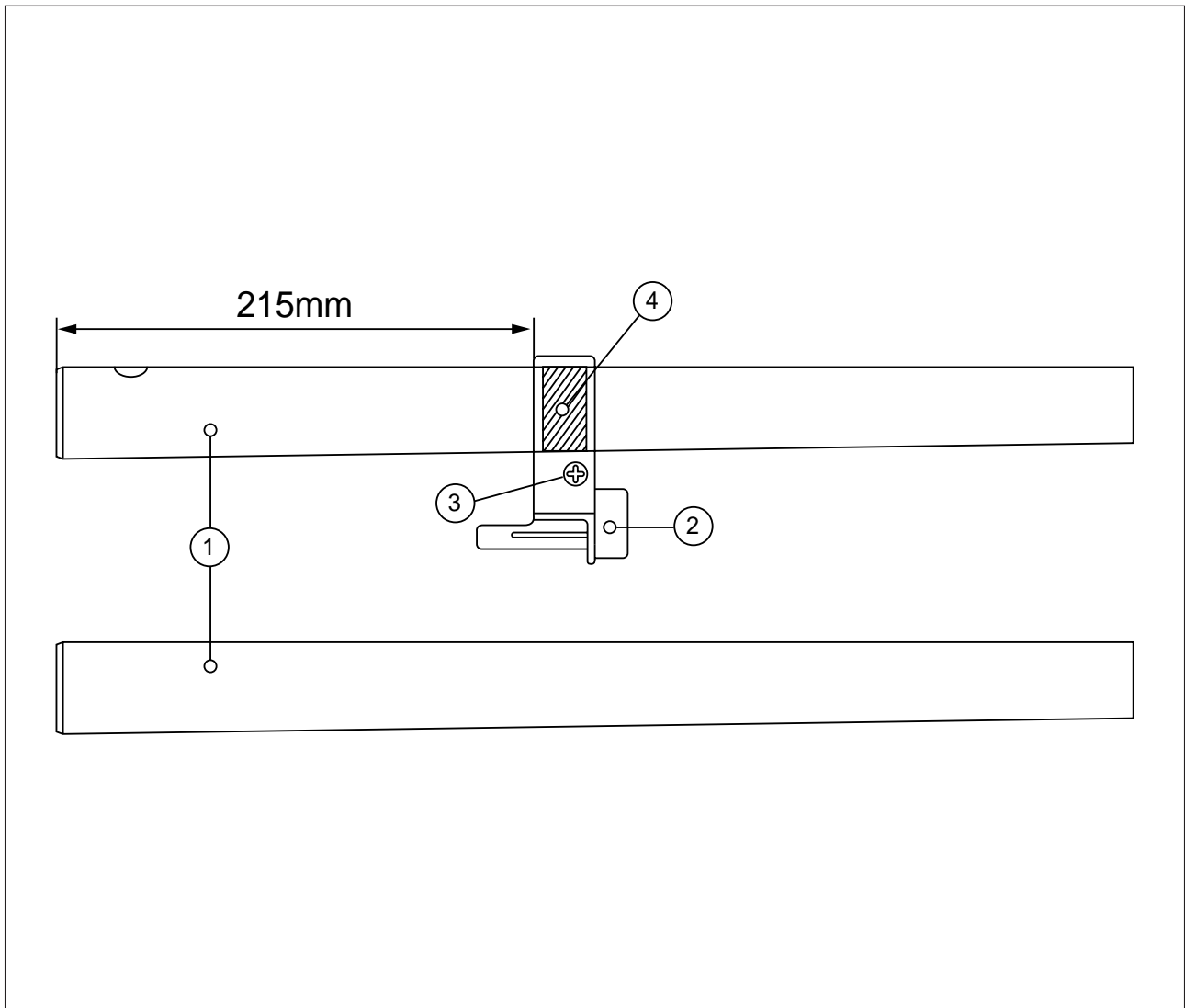
<b>NO</b>	<b>PART NAME</b>	<b>PART CODE</b>	<b>SPECS.</b>	<b>QTY</b>
1	BODY BRUSH	3620404300	ABS	1
2	PIN	3628200500	SWRM MFZN	2
3	ROLLER	3624702100	PVC	2
4	SCREW TAPPING	7121401411	T2S PAN 4X14	4
5	PICKER LITTER	3627000600	A-12N RED	2
6	WIPER ASSY	3629900300	PCV-S	2
7	ABSORBER	3620107800	PP FOAM	1
8	PIPE BRUSH	3624403900	ABS	1
9	HOOK	3623100100	POLY AMIDES	2
10	NECK BRUSH	3628001100	ABS	1
11	COVER BRUSH	3621412500	ABS	1
12	HOLDER ROLLER	3620900500	ABS	2
13	ROLLER BRUSH	3624701900	PP	2

## 6-8. EXTENSION PIPE ASSEMBLY (3624406800)



NO	PART NAME	PART CODE	SPECS.	QTY
1	PIPE PLASTIC	3624403600	PP	2
2	PIPE HOLDER	3623001900	ABS	1
3	SCREW TAPPING	7121401412	T2S PAN 4X14 MFZN	1

## 6-9. EXTENSION PIPE ASSEMBLY (3624406900)



NO	PART NAME	PART CODE	SPECS.	QTY
1	PIPE PLASTIC	3624403500	HDPE+SPC T=0.7	2
2	PIPE HOLDER	3623001900	ABS	1
3	SCREW TAPPING	7121401411	T2S PAN 4X14 MFZN	1
4	SPACER	3625000400	EVA FOAM T=1.5	1