

DAEWOO

Service Manual Vacuum Cleaner

Model : RC-450



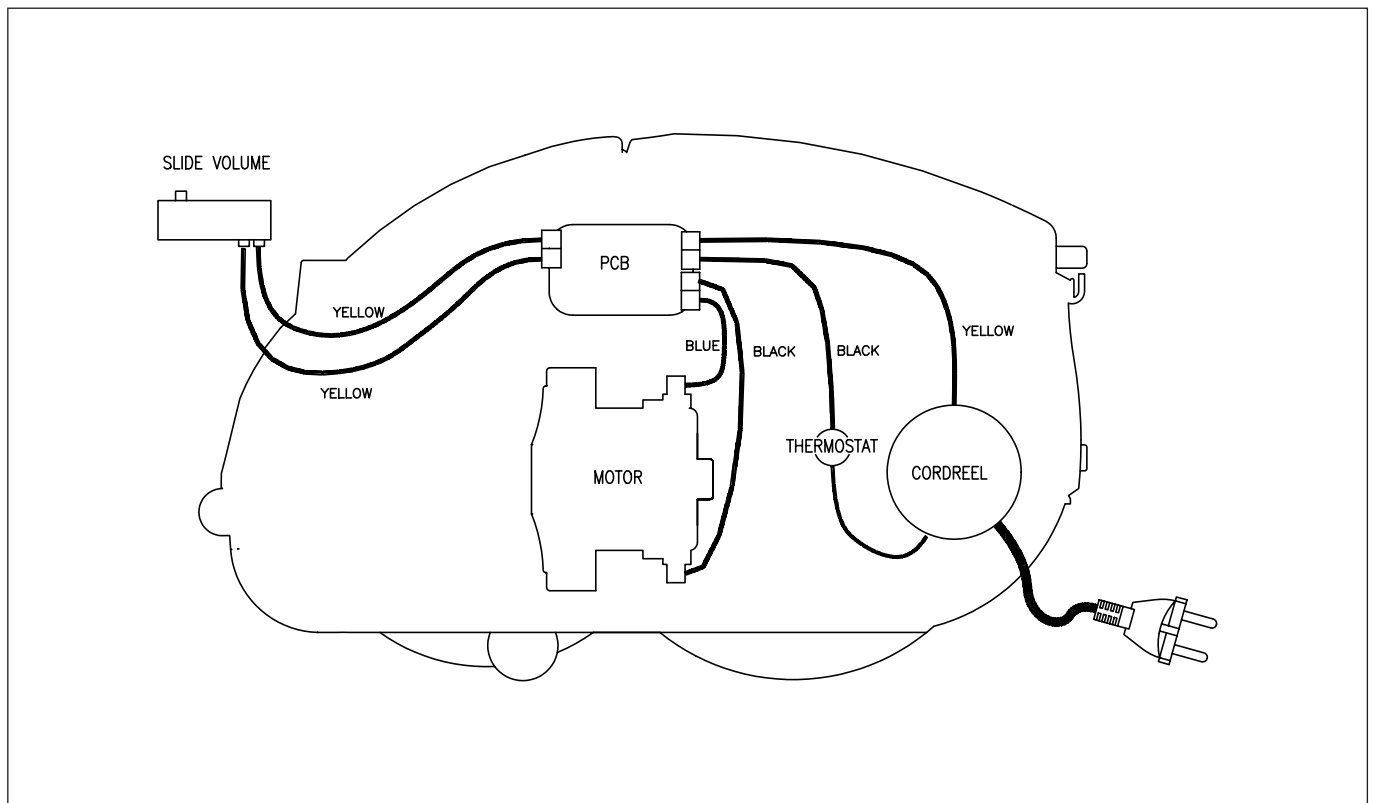
**DAEWOO ELECTRONICS CO., LTD.
OVERSEAS SERVICE DEPT.**

1. SPECIFICATION

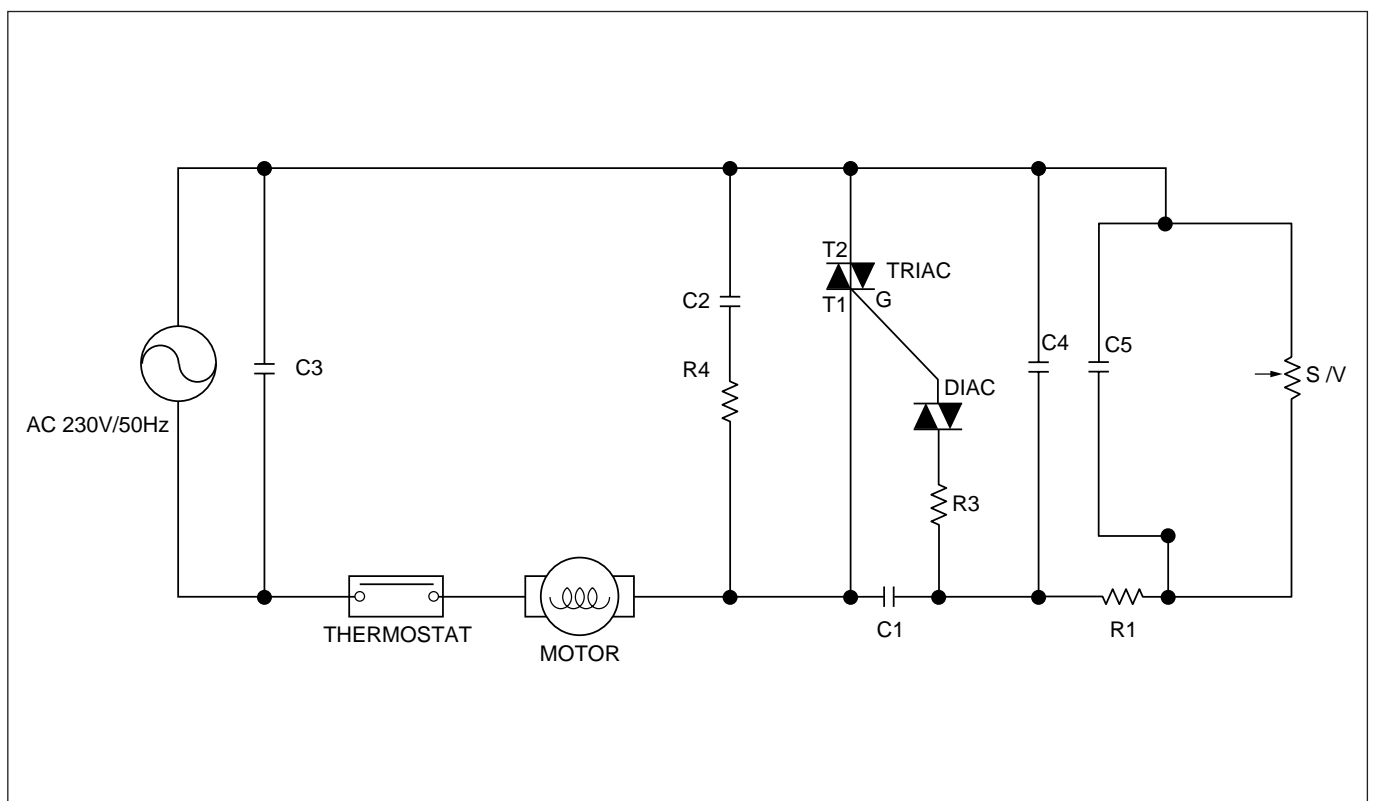
MODEL	RC-450
RATED VOLTAGE/FREQUENCY	AC 230V/50Hz
INPUT WATT	MAX 1300W (CEE 1100W)
WEIGHT(BODY)	5.2kg
DIMENSION(LXHXD)	376X231X286m
CORD LENGTH	6m
POWER CONTROL	ELECTRONICS VARIABLE
DUST METER	MECHANICAL
HOSE	CURRENT 1.8m
EXTENSION PIPE	2 STEELS
NOZZLE	WIDE SUCTION BRUSH, DUSTING BRUSH, CREVICE TOOL

2. DIAGRAM

2-1. WIRING DIAGRAM



2-2. CIRCUIT DIAGRAM



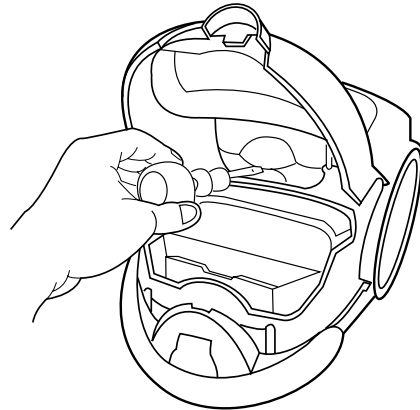
3. CAUSE OF TROUBLE AND COUNTERMEASURE

TROUBLE	CAUSE	COUNTERMEASURE
SUCTION POWER IS WEAK	FILTER BAG(PAPER OR CLOTH) IS FULL WITH DUST	CHANGE IT WITH NEW ONE
	CLOGGING OR TEAR IN HOSE	REMOVE OBSTACLE OR REPLACE THE HOSE
	DEFECTIVE MOTOR	REPLACE THE MOTOR
CLEANER DOES NOT WORK	BREAKING IN POWER CORD (AT BLADE TIP OR ROOT OF PLUG)	REPLACE THE POWER CORD
	BREAKING OF CONNECTIONS IN HOSE ASSEMBLY	REPAIR
	DEFECTIVE SLIDE VOLUME LOCATED IN HOSE HANDLE	REPLACE IT
	DEFECTIVE PCB ASSEMBLY	REPLACE IT
	BREAKING OF CONNECTIONS OR POOR CONTACTS IN CORD REEL ASSEMBLY	REPAIR
	DEFECTIVE MOTOR	REPLACE IT
	BREAKING OF CONNECTIONS IN BODY ASSEMBLY	REPAIR
	DEFECTIVE SWITCH	REPLACE IT
MOTOR DOES NOT STOP EVEN IF SWITCH OFF	DEFECTIVE PCB ASSEMBLY	REPLACE IT
MOTOR DOES NOT STOP EVEN IF SWITCH OFF	DEFECTIVE PCB ASSEMBLY	REPLACE IT
POWER CORD IS NOT WOUND UP	BROKEN REEL SPRING OF CORD REEL	REPLACE IT
	POWER CORD BROKE AWAY FROM THE BOBBIN	REPAIR
POWER CORD DOES NOT STOP AT AN ARBITRARY POSITION	ABRASION OF THE ROLLER BRAKE OF CORD REEL	REPLACE THE ROLLER BRAKE
	LEVER SPRING BROKE AWAY FROM THE CORD REEL BRACKET	REPAIR

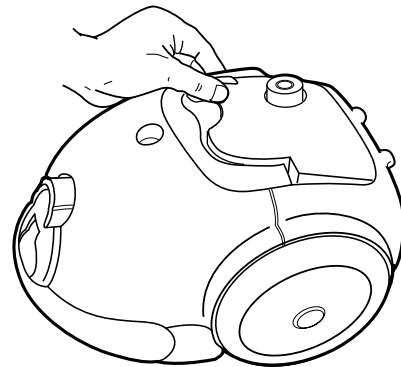
! **CAUTION** : BE CAREFUL WHEN BREAKING UP THE CORD REEL. THE REEL SPRING MAY SPRING OUT OF THE SPRING COVER.

4. DISASSEMBLING

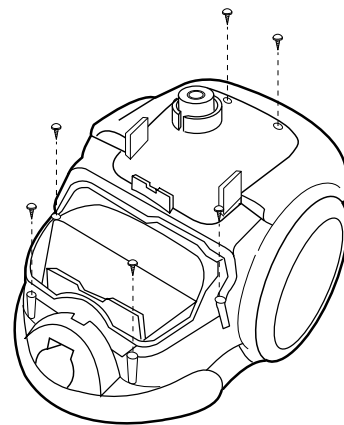
1. Open the dust cover. While inserting the tip of the [-] screwdriver into the slit, push it upward.



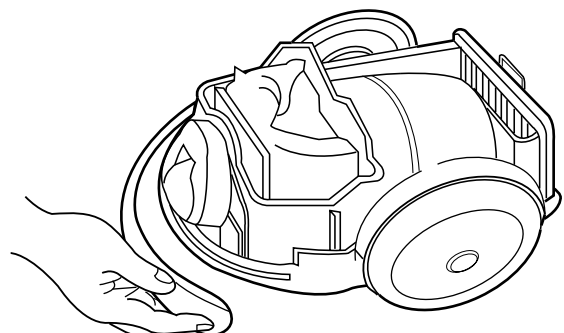
2. Close the dust cover and remove the middle cover.



3. Unscrew the 6 [+] screws which lock the body and the body cover.

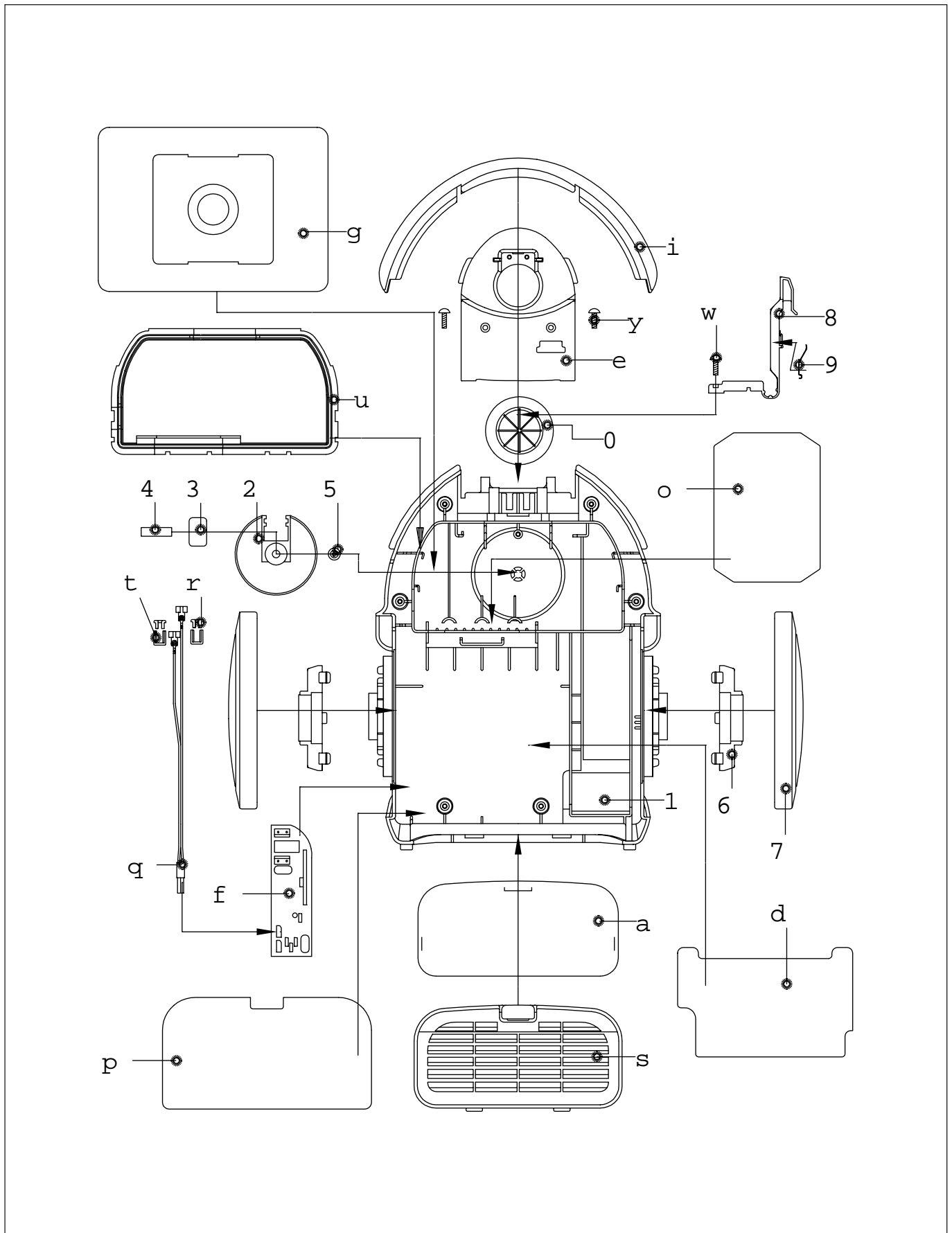


4. Remove the protector and unscrew the 2 [+] screws.



5. EXPLODED VIEW AND PARTS LIST

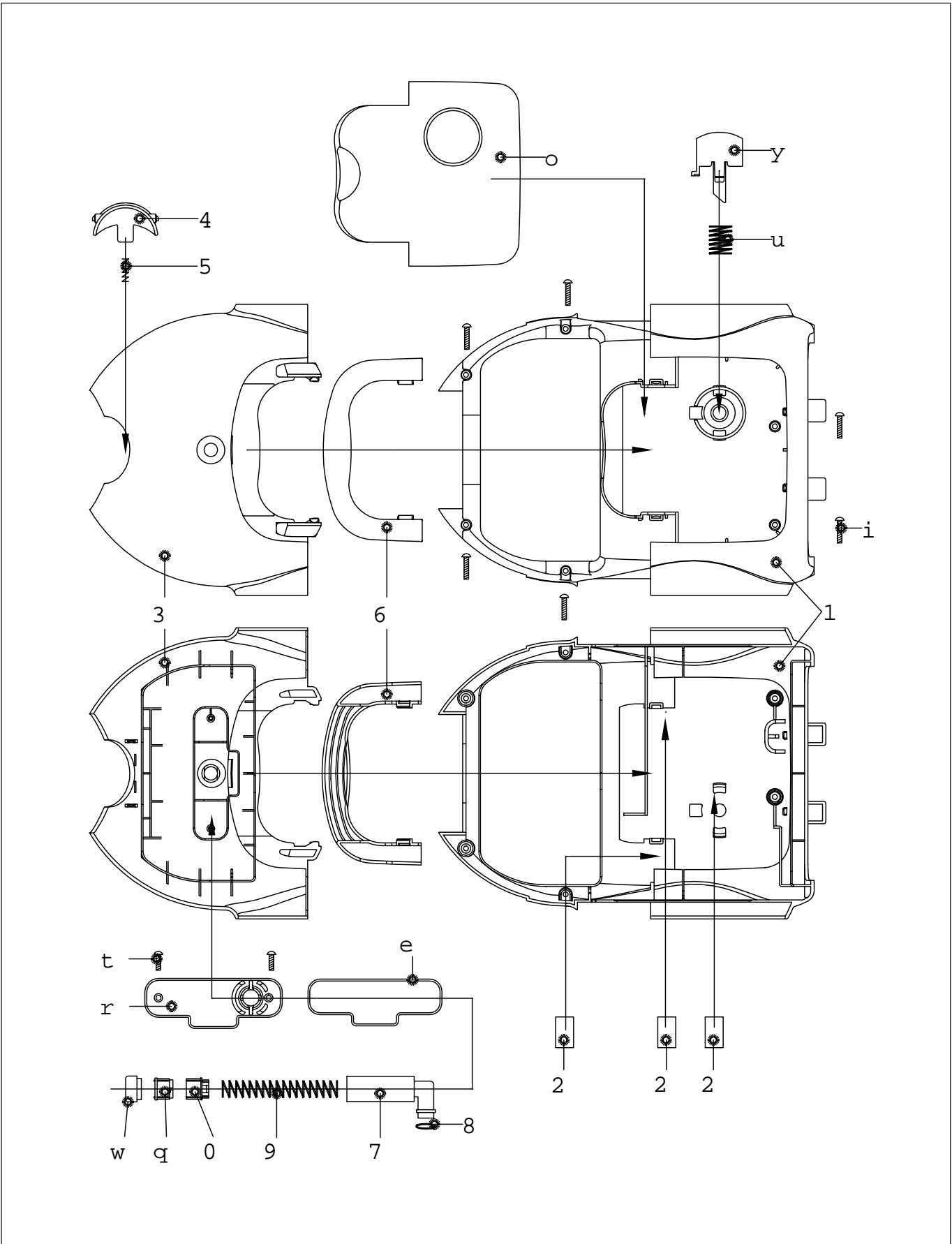
5-1. BODY ASSEMBLY(3620406800)



BODY ASSEMBLY LIST(3620406800)

NO	PART NAME	CODE	SPEC	Q'TY
1	BODY	3620405500	ABS KR-2870	1
2	BRACKET ROLLER	3620601500	PP	1
3	ROLLER FRONT	3624703200	SBS+PP	1
4	SHAFT ROLLER	3624901000	SWRM	1
5	SCREW TAPPING	7128401212	T2S WAS 4X12 MFZN BK	1
6	BUSHING ROLLER	3620601300	NYLON6	2
7	ROLLER BACK	3624702900	PP+PVC-S	2
8	HOLDER FILTER	3623003800	NYLON 66	1
9	SPRING HOLDER	3625105400	SUS304-H, T=0.2	1
10	PACKING SOCKET	3624004500	NR	1
11	TERMINAL AS	3628708400	TERMINAL+WIRE	1
12	SCREW TAPPING	7121400811	T2S PAN 4X8 MFZN	1
13	SOCKET	3620405600	ABS KR-2870	1
14	CASE TERMINAL	3621101700	PC, COVER	2
15	CASE TERMINAL	3621101800	PC, BODY	2
16	SCREW TAPPING	7121401411	T2S PAN 4X14 MFZN	3
17	GASKET	3622300200	SBS 50DEG	1
18	PROTECTOR	3628300700	PVC-S	1
19	FILTER	3621903800	PU FOAM, INH	1
20	FILTER EXHUST	3621903900	POLYESTER + TAPE	1
21	FILTER EXHUST	3621904000	PP FIBER	1
22	CASE FILTER	3621102700	ABS KR-2870	1
23	ABSORBER SOUND	3620108200	FELT T=3.0	1
24	PCB POWER CONTROL AS	3624306700	RC-450 230/50	1
25	FILTER BAG	3621900900	2-LAYER	1

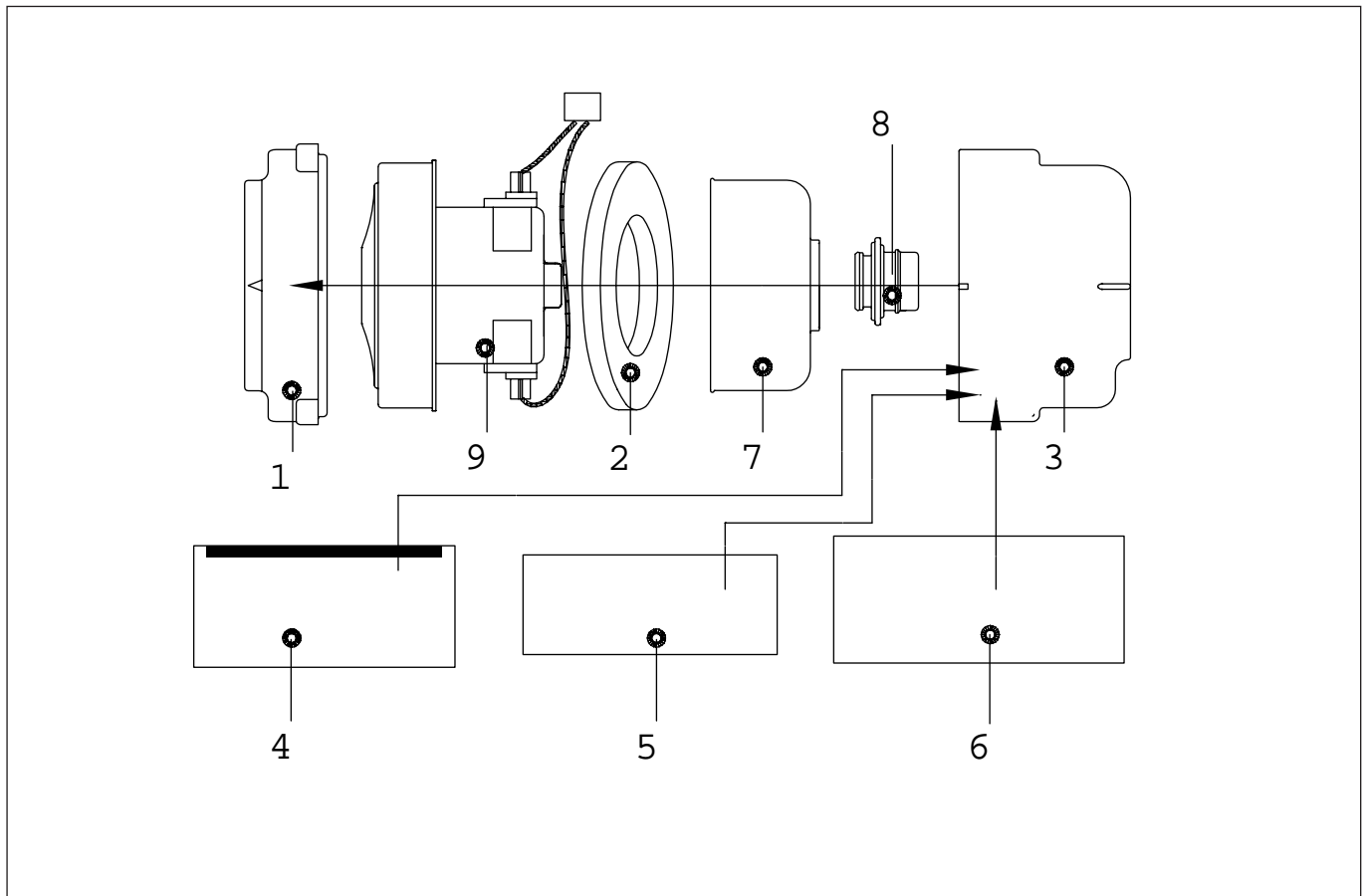
5-2. COVER ASSEMBLY(3621417700)



COVER ASSEMBLY LIST(3621417700)

NO	PART NAME	CODE	SPEC	Q'TY
1	COVER BODY	3621415850	ABS + PAINTING	1
2	PACKING HOLE	3624004600	EVA FOAM	2
3	COVER DUST	3621415950	ABS + PAINTING	1
4	CLAMP DC	3621201950	ABS + CR PLATED	1
5	SPRING	3625105600	HSW3	1
6	HANDLE	3622601250	ABS + PAINTING	1
7	ELBOW	3627100210	GPPS	1
8	RING-O	3624600100	EPDM	1
9	SPRING	3625105700	SUS304,DM(103MM)	1
10	DUST METER	3629700100	ABS	1
11	DUST METER	4560F23030	ABS	1
12	PACKING	3624000410	S-PVC	1
13	PACKING DM (O-RING)	3624004400	NR	1
14	COVER DM	3621416100	ABS KR-2870	1
15	SCREW TAPPING	7121401411	T2S PAN 4X14 MFZN	2
16	BUTTON CR	3626603550	ABS + CR PLATED	1
17	SPRING	3625103400	HSW3 CR BUTTON	1
18	SCREW TAPPING	7121402011	T2S PAN 4X20 MFZN	6
19	COVER MIDDLE	3621416050	ABS + PAINTING	1

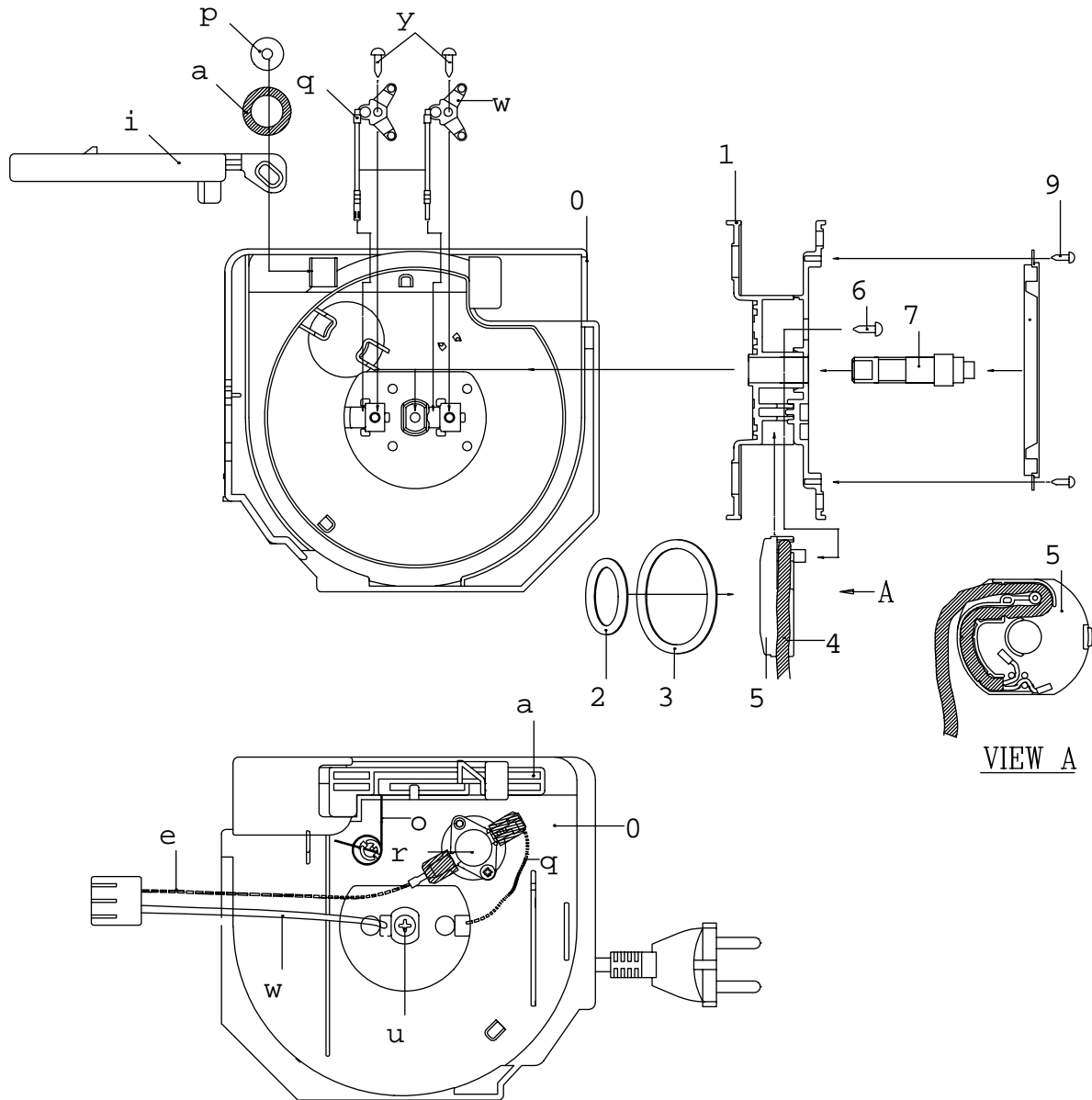
5-3. MOTOR ASSEMBLY(3620009500)



MOTOR ASSEMBLY LIST(3620009500)

NO	PART NAME	CODE	SPEC	Q'TY
1	PACKING MOTOR	3624005200	NR+EPDM	1
2	ABSORBER SOUND	3620105900	PU FOAM T=20	1
3	CASE MOTOR REAR	3621102800	ABS KR-2870	1
4	FILTER	3621904500	POLYESTER + TAPE	1
5	ABSORBER SOUND	3620108300	FELT T=3.0	1
6	ABSORBER SOUND	3620108400	FELT T=3.0	1
7	GUIDE AIR	3622501300	PC LEXAN 500	1
8	MOUNT MOTOR	3620903200	NR	1
9	MOTOR VC	3962511210	230V 1200W DMI(F)	1

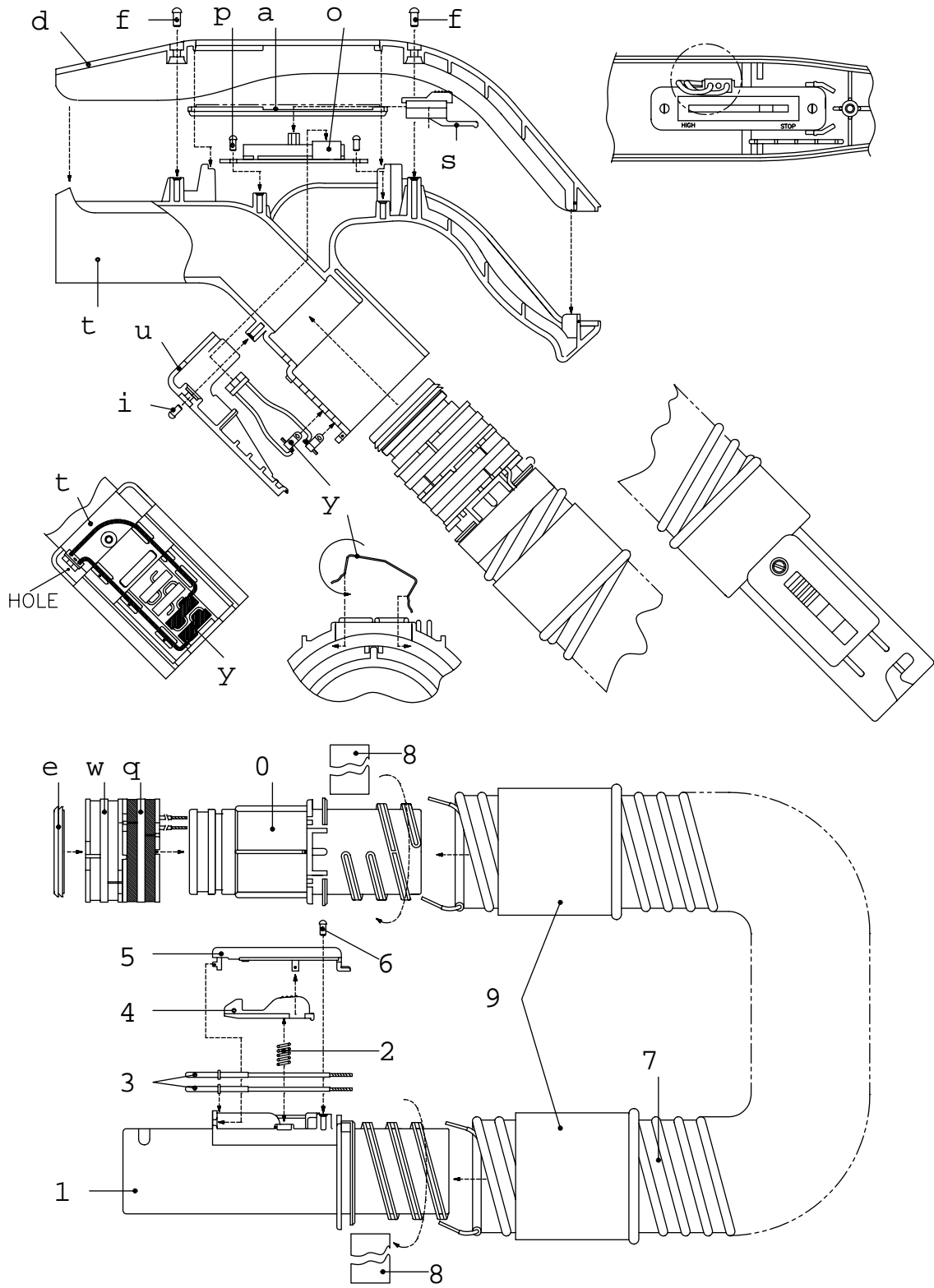
5-4. CORD REEL ASSEMBLY(3629506000)



CORD REEL ASSEMBLY LIST(3629506000)

NO	PART NAME	CODE	SPEC	Q'TY
1	BOBBIN	4569C35011	ABS	1
2	TERMINAL	4565A36024	C2600P-1/2H T0.3	1
3	TERMINAL	4565A36034	C2600P-1/2H T0.3	1
4	CORD POWER	3621302500	250V16A H05VVH2F TA-17	1
5	SUPPORTER TERMINAL	3625300100	PC LEXAN 500	1
6	SCREW TAPPING	7121401211	T2S PAN 4X12 MFZN	1
7	SHAFT CR	4569C35051	PC LEAXAN 121	1
8	SPRING AS	3625102010	SUS301-EH+COVER,4710MM	1
9	SCREW TAPPING	7121300811	T2S PAN 3X8 MFZN	2
10	BRACKET CR	3620601410	PC	1
11	HARNESS	3622709710	ASSY	1
12	HARNESS	3622709810	ASSY	1
13	HARNESS	3622709910	ASSY	1
14	THERMOSTAT	3629001400	KI T85	1
15	SCREW TAPPING	7121300811	T2S PAN 3X8 MFZN	1
16	SCREW TAPPING	7121400611	T2S PAN 4X6 MFZN	2
17	SCREW TAPPING	7121401411	T2S PAN 4X14 MFZN	1
18	LEVER CR	3623701900	ABS KR-2870	1
19	SPRING	3625103200	HSW3	1
20	FRAME STOPPER	4565A35070	POLY ACETAL (POM)	1
21	STOPPER CR	4569C35082	NBR	1

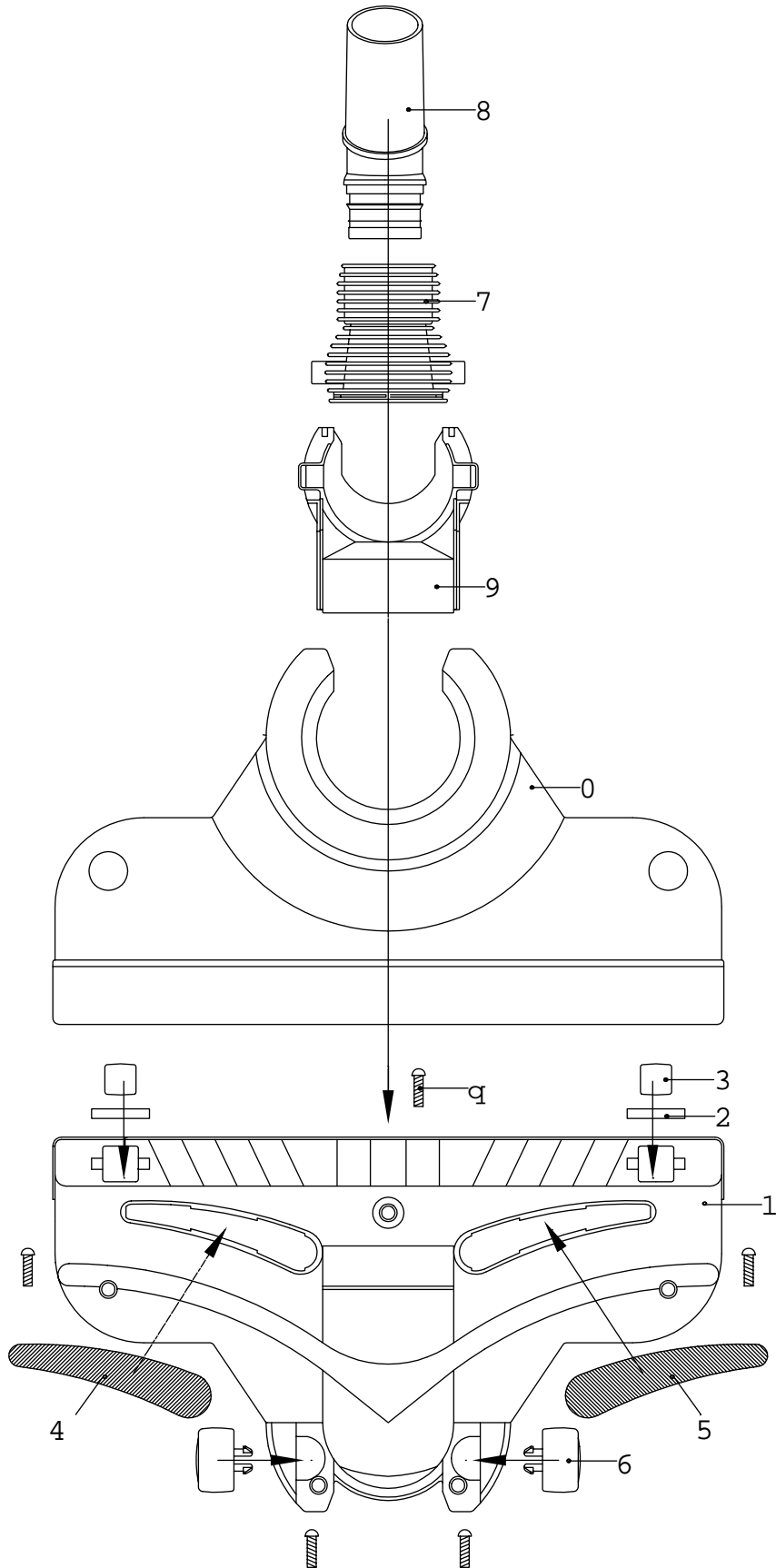
5-5. HOSE ASSEMBLY(3623206410)



HOSE ASSEMBLY LIST(3623206410)

NO	PART NAME	CODE	SPEC	Q'TY
1	ADAPTER PIPE	3629101310	PC	1
2	SPRING	3625102900	HSW3	1
3	TERMINAL AS	3628705700	TERMINAL+WIRE+RECEP	2
4	CLAMP ADAPTER	3621200900	ABS	1
5	COVER ADAPTER	3621405960	PC(805)	1
6	SCREW TAPPING	7121300811	T2S PAN 3X8 MFZN	1
7	HOSE	3623204210	PVC-S/SWRS 1.8M 2 LAYE	1
8	TAPE VINYL	2TU00019BK	19MM BLACK	0.5
9	COVER HOSE	4565A70040	PP	2
10	ADAPTER PIPE	3629100410	PC	1
11	FRAME TERMINAL AS	3622200710	ASSY	1
12	FRAME TERMINAL	3622200610	PC	1
13	PACKING PIPE	3624002400	NBR	1
14	WAX VASELINE	2291140301	VASELINE	0.002
15	PIPE HOSE	3624403810	PC	1
16	TERMINAL AS	3628704600	TERMINAL+WIRE+RECEP	1
17	COVER TERMINAL	3621409010	PC	1
18	SCREW TAPPING	7121301011	T2S PAN 3X10 MFZN	1
19	PCB SLIDE VOLUME AS	3624303900	200K HOSE AS	1
20	SCREW TAPPING	7121300811	T2S PAN 3X8 MFZN	2
21	PLATE	3624500200	ABS	1
22	KNOB	3623400100	PC	1
23	COVER PIPE	3621409700	ABS KR-2870	1
24	SCREW TAPPING	7121301211	T2S PAN 3X12 MFZN	2

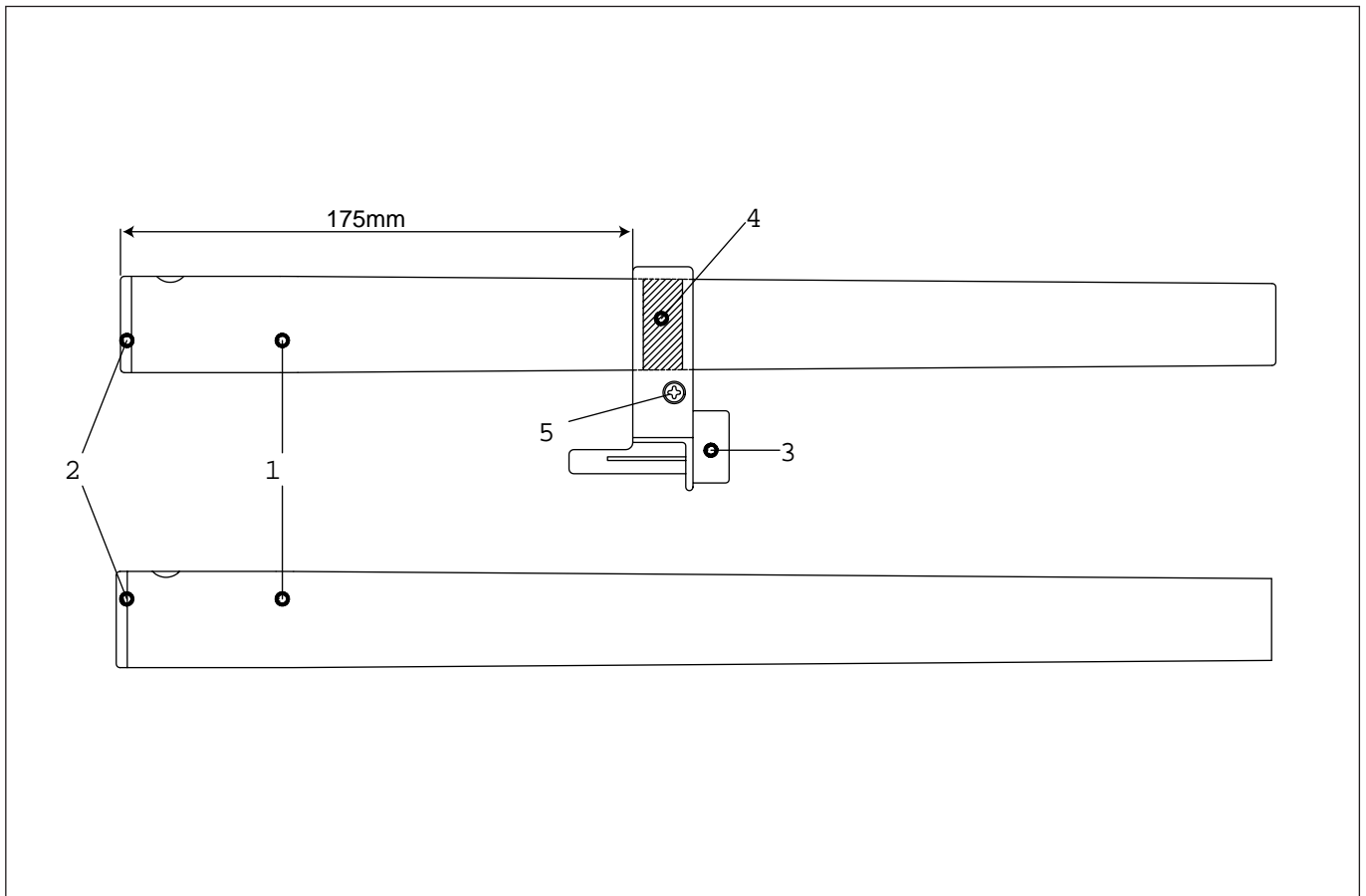
5-6. BRUSH ASSEMBLY(3629305100)



BRUSH ASSEMBLY LIST(3629305100)

NO	PART NAME	CODE	SPEC	Q'TY
1	BODY BRUSH	3620403500	ABS	1
2	SHAFT ROLLER	3624900900	PA	2
3	ROLLER-F BRUSH	3624703100	SBS	2
4	PICKER LITTER	3627000400	ABS+NYLON	1
5	PICKER LITTER	3627000500	ABS+NYLON	1
6	ROLLER-B BRUSH	3624703700	SBS	2
7	NECK BRUSH	3628001700	PP	1
8	PIPE BRUSH	3624408000	PP	1
9	CAP BRUSH	3620902500	ABS+MFCR	1
10	COVER BRUSH	3621411100	ABS+PVC	1
11	SCREW TAPPING	7121401212	T2S PAN 4X12 MFZN BK	5

5-7. PIPE ASSEMBLY(3624404500)



BODY ASSEMBLY LIST(3620406800)

NO	PART NAME	CODE	SPEC	Q'TY
1	PIPE STEEL	3624403500	HDPE+SPC T=0.7	2
2	CUFF	3626800300	HDPE	2
3	HOLDER PIPE	3623001900	ABS	1
4	SPACER	3625000400	EVA FOAM T=1.5	1
5	SCREW TAPPING	7121401411	T2S PAN 4X14 MFZN	1