

S/M No. : C3500KVEF0

**DAEWOO**

# Service Manual

## Vacuum Cleaner

Model: RC-350



**DAEWOO ELECTRONICS CO., LTD.**

## *TABLE OF CONTENTS*

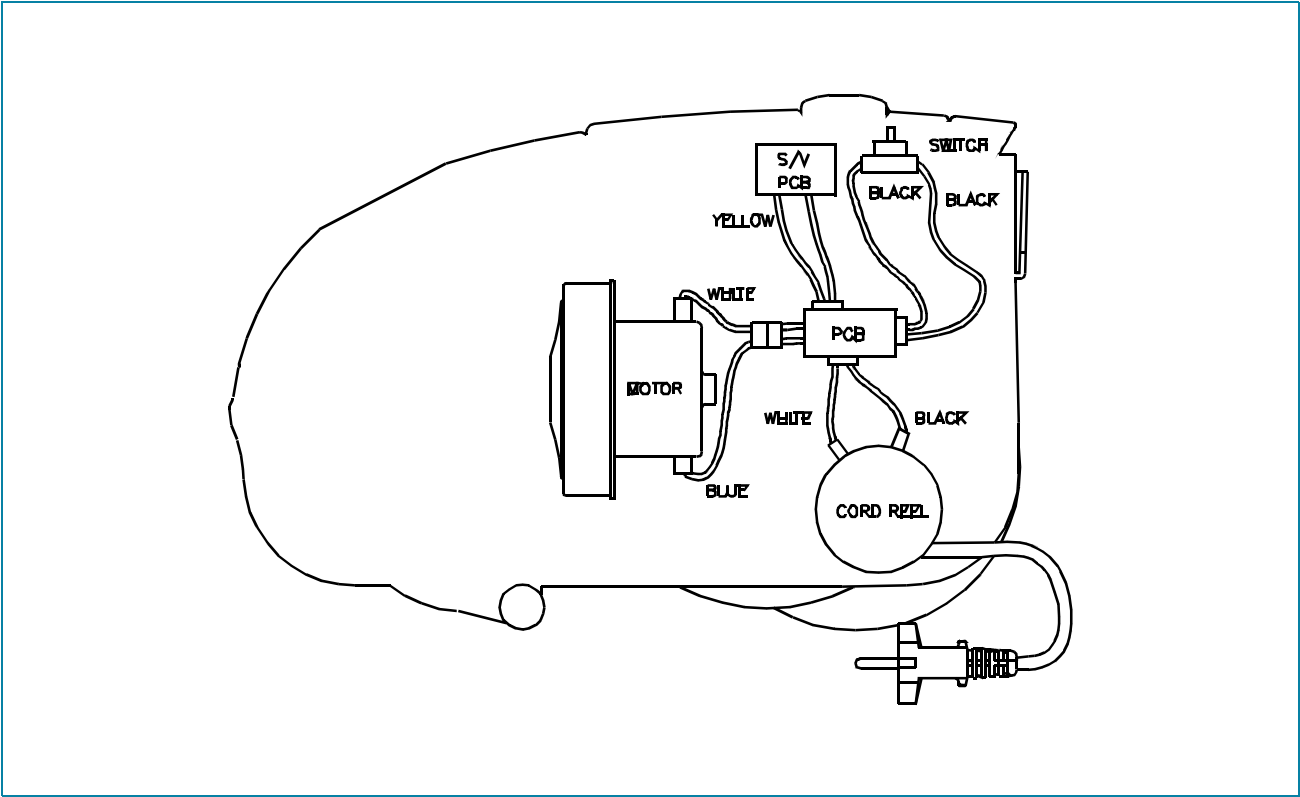
<b>SPECIFICATIONS .....</b>	<b>2</b>
<b>DIAGRAM .....</b>	<b>3</b>
1. WIRING DIAGRAM .....	3
2. CIRCUIT DIAGRAM .....	3
<b>TROUBLE SHOOTING GUIDE .....</b>	<b>4</b>
<b>DISASSEMBLING AND TREATMENT .....</b>	<b>5</b>
1. CLEANER ASSEMBLY .....	5
2. CORD REEL ASSEMBLY .....	6
<b>EXPLODED VIEW AND PARTS LIST .....</b>	<b>7</b>
1. BODY ASSEMBLY .....	7
2. BODY COVER ASSEMBLY .....	8
3. CORD POWER ASSEMBLY .....	9
4. DUST COVER ASSEMBLY .....	10
5. HOSE ASSEMBLY .....	11
6. WIDE SUCTION BRUSH ASSEMBLY .....	12
7. EXTENSION PIPE AND NOZZLES .....	13

# SPECIFICATIONS

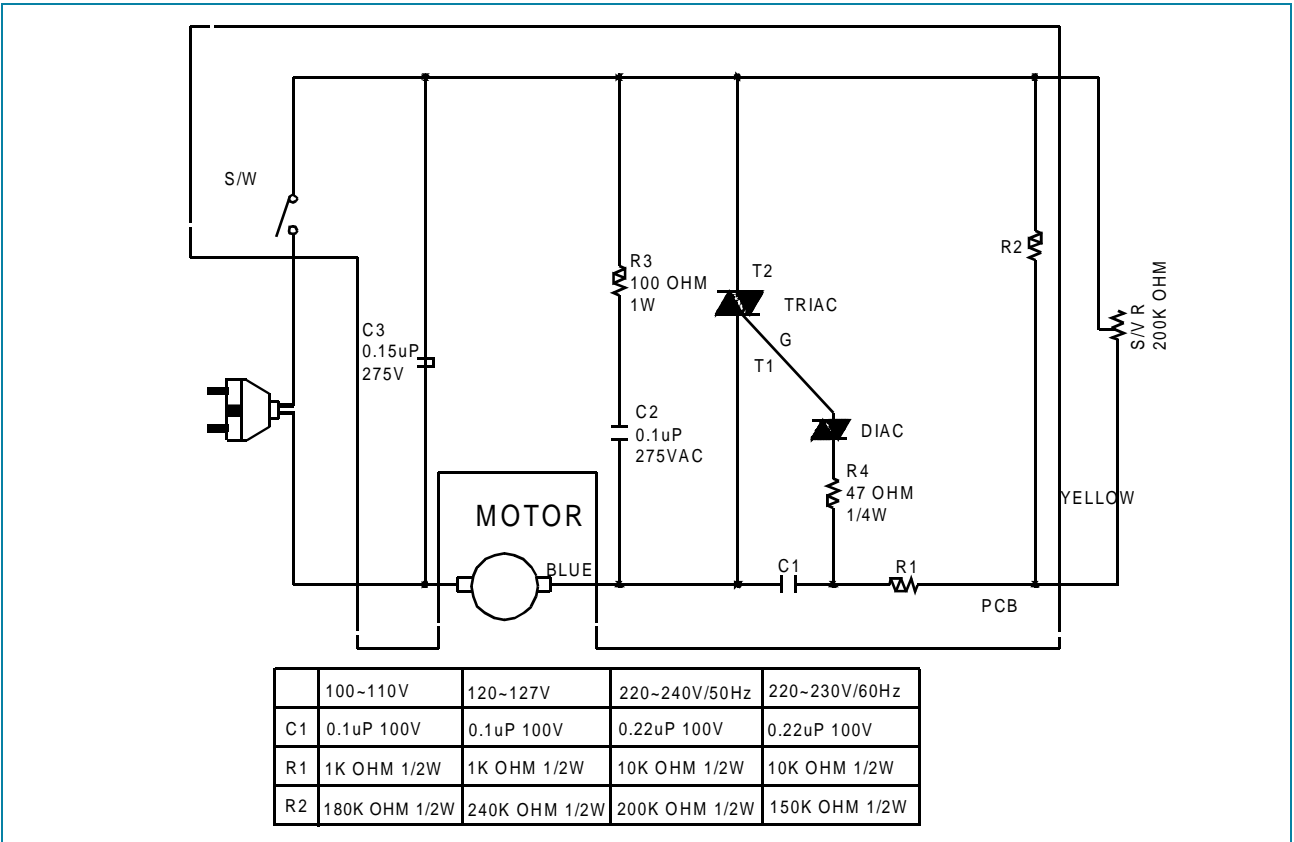
MODEL	RC-350
RATED VOLTAGE/FREQUENCY	230V/50Hz
INPUT WATT	1300W (MAX)
WEIGHT(BODY)	3.7kg
DIMENSION(LHD)	354 X 240X 262mm
CORD LENGTH	6m
POWER CONTROL	ELECTRONIC VARIABLE
DUST METER	MECHANICAL
HOSE	NON-CURRENT 1.8m
EXTENSION PIPE	2 PLASTICS
NOZZLE	WIDE SUCTION BRUSH
	DUSTING BRUSH
	CREVICE NOZZLE
	UPHOLSTERY NOZZLE

# DIAGRAM

## 1. WIRING DIAGRAM



## 2. CIRCUIT DIAGRAM



# TROUBLE SHOOTING GUIDE

TROUBLE	CAUSE	COUNTERMEASURE
SUCTION POWER IS WEAK	FILTER BAG(PAPER OR CLOTH) IS FULL WITH DUST	CHANGE IT WITH NEW ONE
	CLOGGING OR TEAR IN HOSE	REMOVE OBSTACLE OR REPLACE THE HOSE
	DEFECTIVE MOTOR	REPLACE THE MOTOR
CLEANER DOES NOT WORK	BREAKING IN POWER CORD (AT BLADE TIP OR ROOT OF CORD)	REPAIR
	BREAKING OF CONNECTIONS OR POOR CONTACTS IN CORD REEL ASSEMBLY	REPAIR
	DEFECTIVE MOTOR	REPLACE IT
	BREAKING OF CONNECTIONS IN BODY ASSEMBLY	REPAIR
	DEFECTIVE SWITCH	REPLACE IT
POWER CORD IS NOT WOUND UP	BROKEN REEL SPRING	REPLACE IT
	POWER CORD BROKE AWAY FROM THE BOBBIN	REPAIR

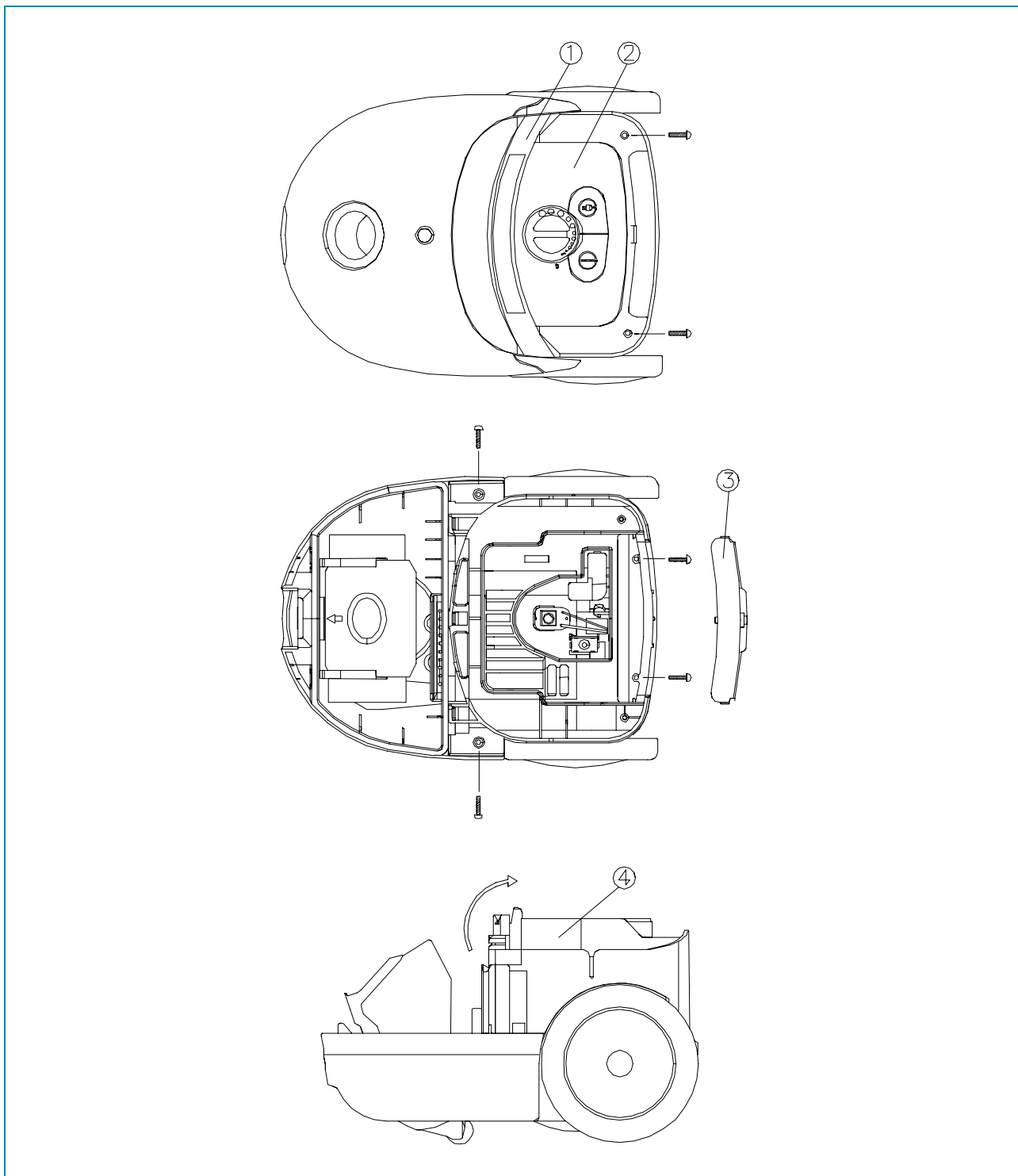
## CAUTION

BE CAREFUL WHEN BREAKING UP THE CORD REEL. THE REEL SPRING MAY SPRING OUT OF THE SPRING COVER.

POWER CORD DOES NOT STOP AT AN ARBITRARY POSITION	ABRASION OF THE ROLLER BRAKE (STOPPER CR) OF CORD REEL	REPLACE THE ROLLER BRAKE (STOPPER CR)
	LEVER SPRING BROKE AWAY FROM THE CORD REEL BRACKET	REPAIR

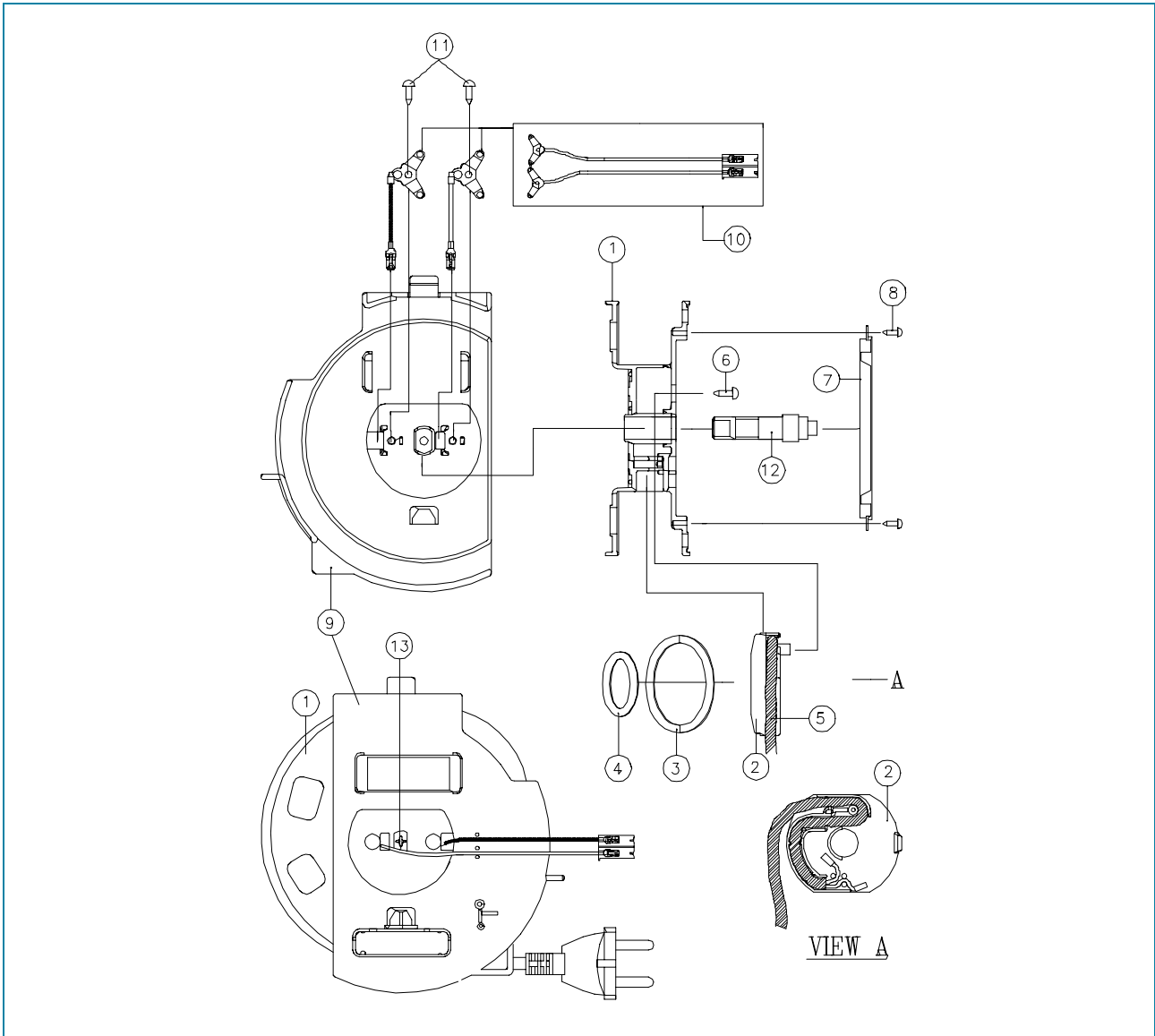
# DISASSEMBLING AND TREATMENT

## 1. CLEANER ASSEMBLY



- 1) While standing the handle(1), unscrew the 2(+) screw.  
Lift the dust cover assembly(2).
- 2) Separate the case filter. Unscrew the 4(+) screw.
- 3) Rotate and lift the body cover assembly(4).

## 2. CORD REEL ASSEMBLY



- 1) Take the cord reel out of the body cover.
- 2) Unscrew the screw and separate the bobbin from the bracket and check the contacts between the Y terminals.  
At this time, the bobbin is rotated counterclockwise due to the preserved winding.
- 3) If the reel spring is broken, unscrew the 2 screws and replace it.

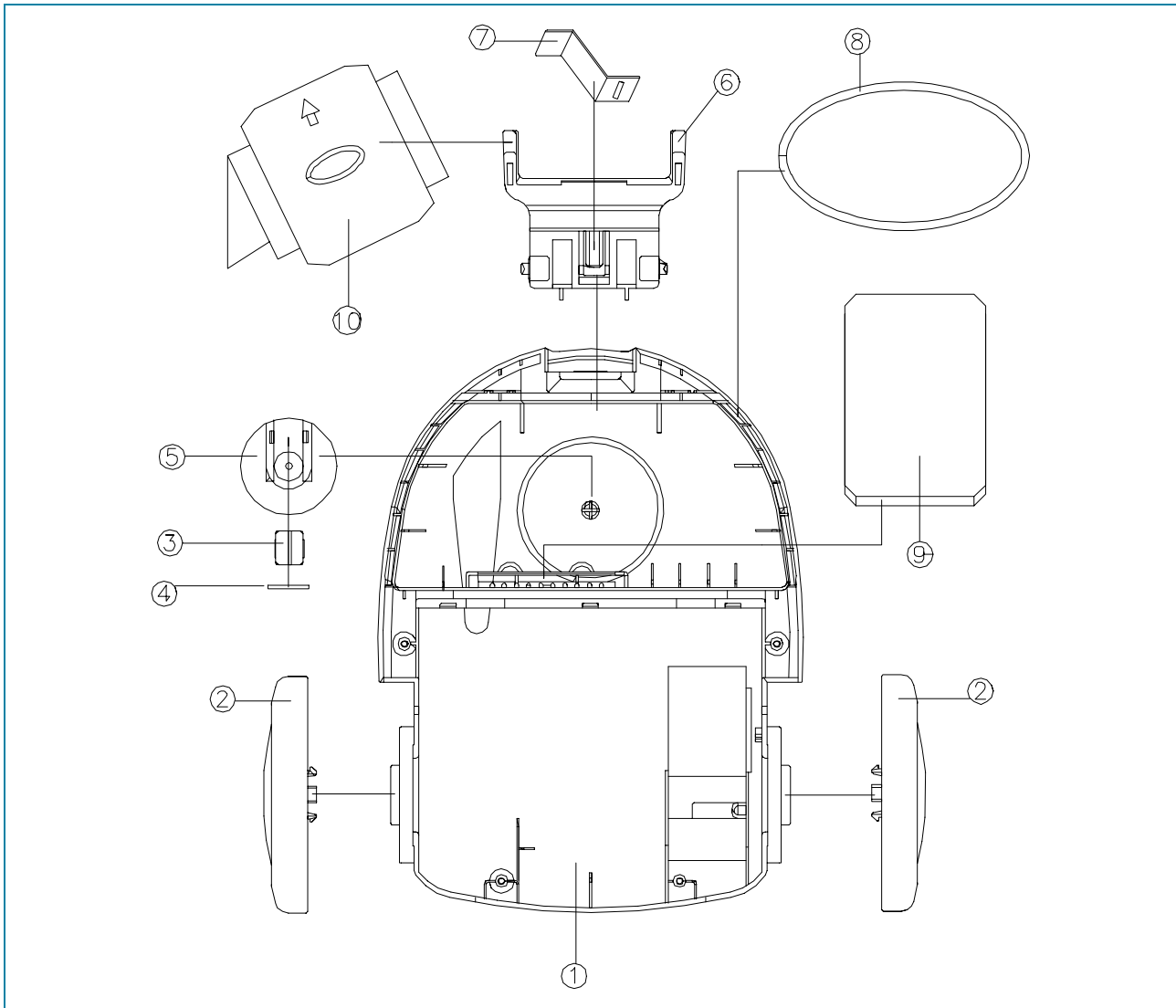
### CAUTION

WHEN DISASSEMBLING, THE REEL SPRING MAY SPRING OUT OF THE COVER.

- 4) Unscrew the screw and part bobbin.
- 5) Check the connections between the power cord and the terminals.
- 6) When assembling, make the reserved winding 4 revolutions of the bobbin clockwise.

# EXPLODED VIEW AND PARTS LIST

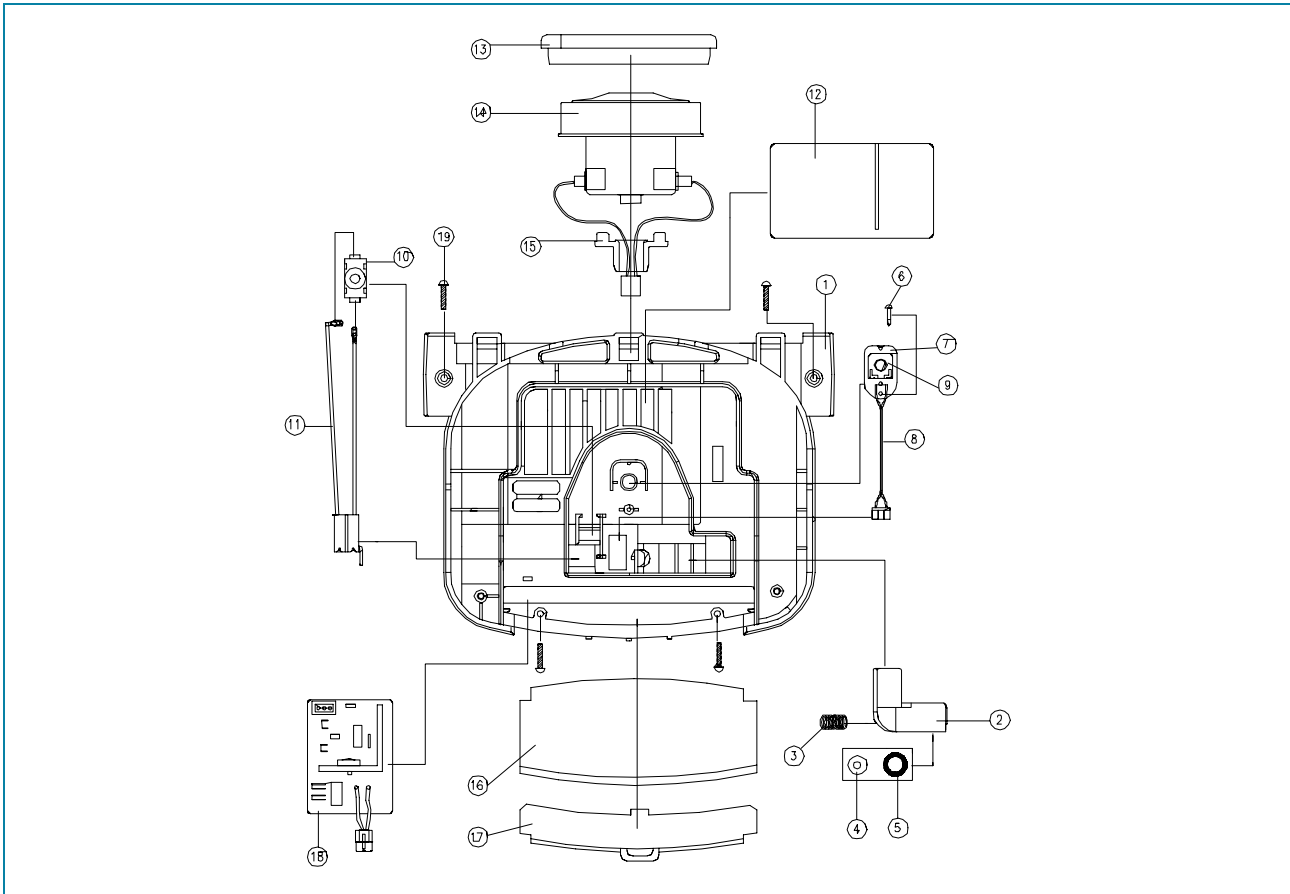
## 1. BODY ASSEMBLY



No	PART NAME	CODE	SPEC	Q'TY
1	BODY	3620406300	PP	11
2	ROLLER BACK	3624703410	PP	2
3	ROLLER FRONT	3624703600	PP	1
4	SHAF T ROLLER	3624901000	SWRM	1
5	BRACKET ROLLER	3620601500	PP	1
6	HOLDER FILTER	3623004000	PP	1
7	SPRING HOLDER	362510600	SK-5	1
8	GASKET	3624004800	RUBBER FOAM	1
9	FILTER-IN	3621904200	POLYESTER	1
10	BAG FILTER	3620202500	2-LAYER, 3L	1
11	SCREW TAPPING	7128401212	T2S WAS 4X12	1

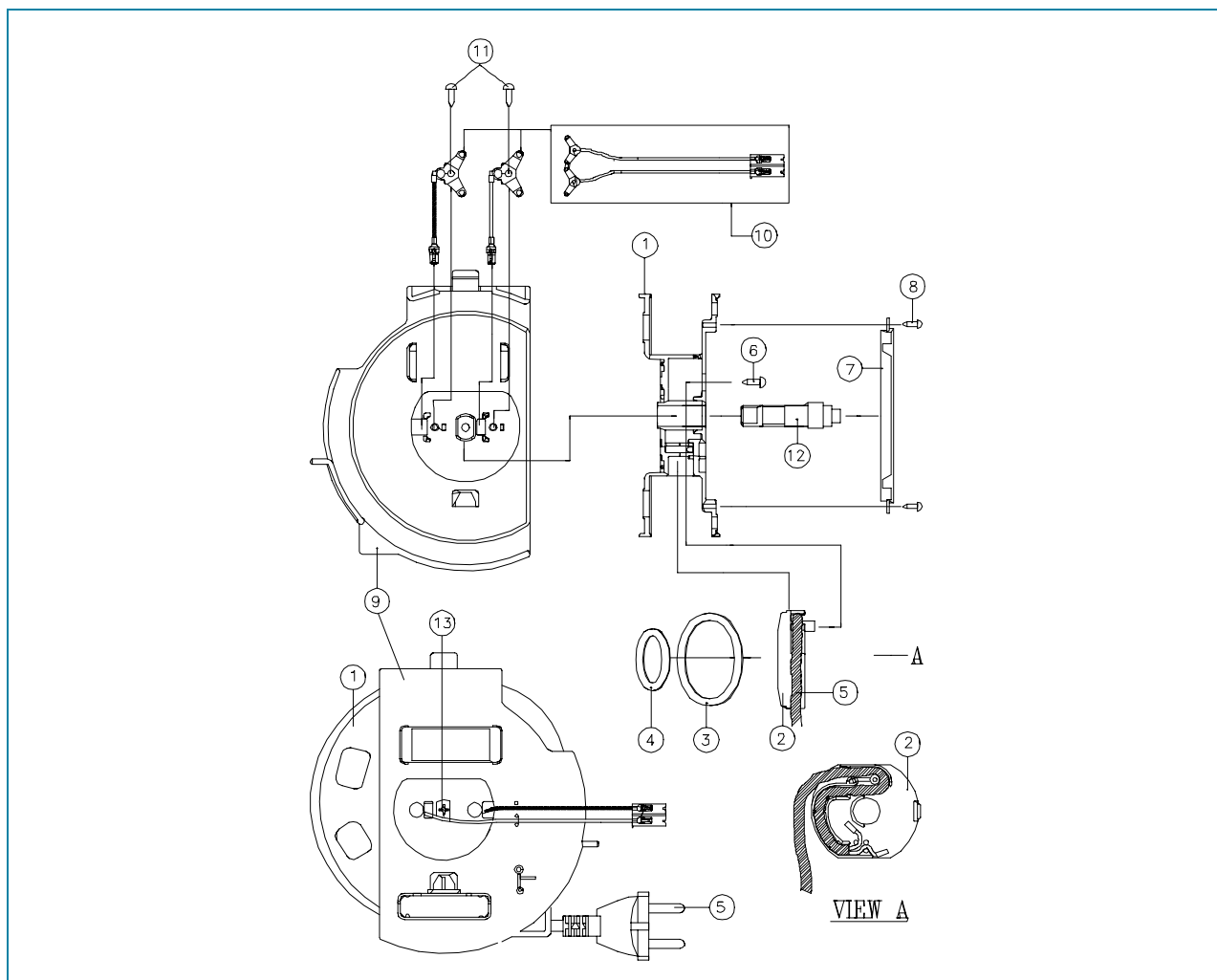


## 2. BODY COVER ASSEMBLY



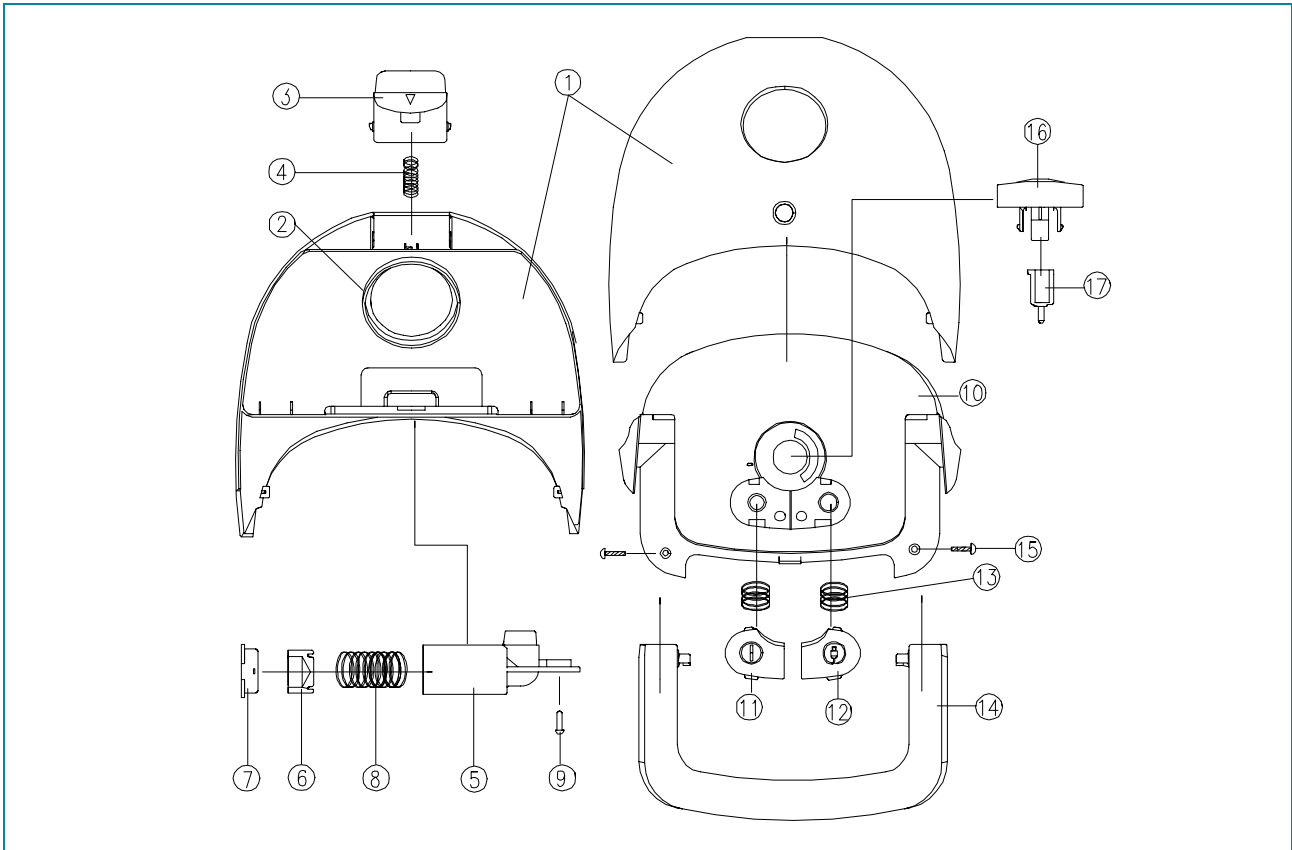
No	PART NAME	CODE	SPEC	Q'TY
1	COVER BODY	3621416950	PP	1
2	LEVER CR	3623702000	PC	1
3	SPRING LEVER	3625104300	HSW3	1
4	FRAME STOPPER	4565A35070	POLY ACETAL	1
5	STOPPER CR	4569C35082	NBR	1
6	SCREW TAPPING	7121301211	T2S PAN 3X12	1
7	PCB	3624304501	ROTARY PCB	1
8	HARNESS	3622710100	HOUSING+WIRE(YW)+WIRE(YW)	1
9	VR ROTARY	5V2204009B	B200K	1
10	SWITCH PUSH	3629002000	7A/250V(SKT)	1
11	HARNESS	3622710200	RECEP+WIRE(BK)	1
12	FILTER	3621905600	POLYESTER	1
13	PACKING MOTOR	3624004900	SBR	1
14	MOTOR UNIVERSAL	3962511400	230V 110W(F) DMI	1
15	MOUNT MOTOR	3627900900	TPE	1
16	FILTER EXHAUST	3621904300	POLYESTER	1
17	CASE FILTER	3621103000	PP	1
18	PCB AS	3624308520	RC-350 230-240V/50Hz	1
19	SCREW TAPPING	7171402011	TT2 PAN 4X20	4

## 3. CORD POWER ASSEMBLY



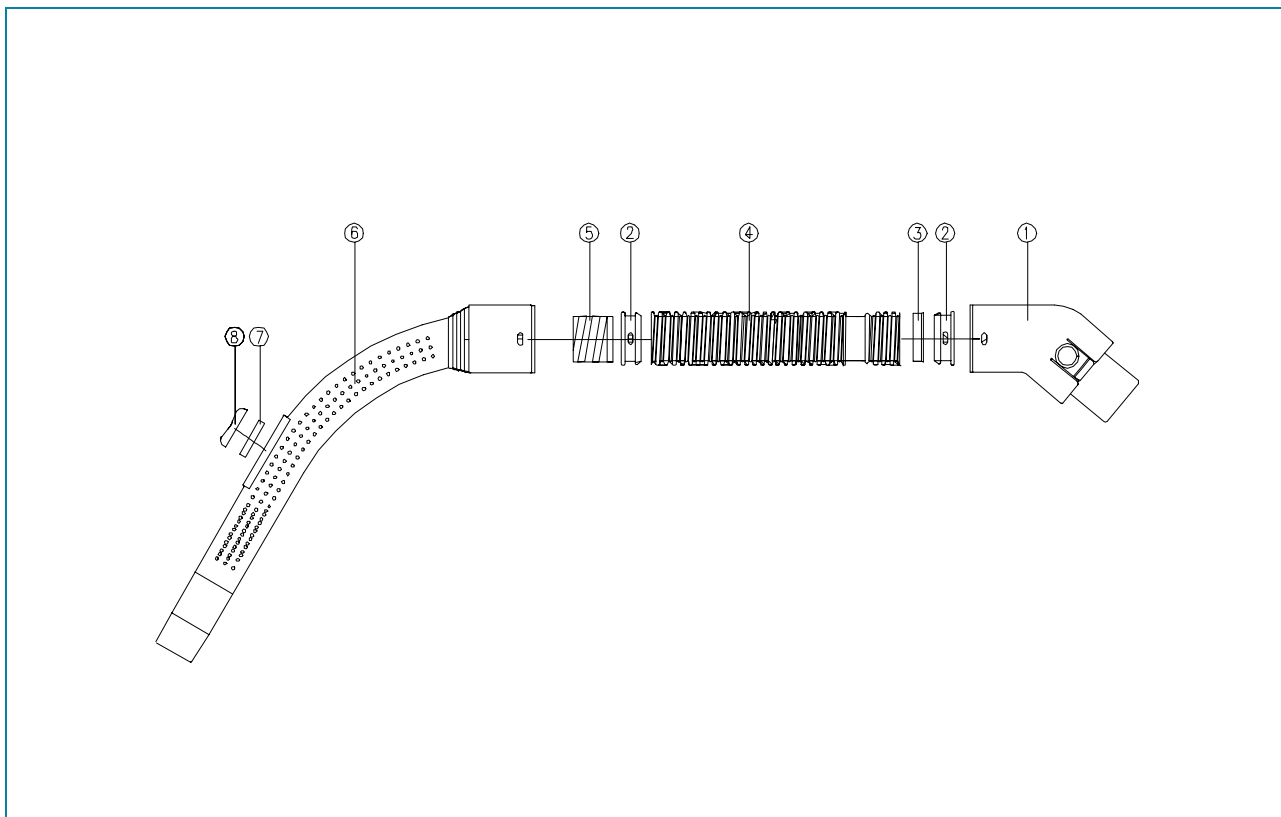
No	PART NAME	CODE	SPEC	Q'TY
1	BOBBIN	3629200600	PP	1
2	HOLDER TERMINAL	4565A36020	PC(V-0)	1
3	TERMINAL	4565A36024	C2600P-1/2H T0.3	1
4	TERMINAL	4565A36034	C2600P-1/2H T0.3	1
5	CORD POWER	3621302500	250V16A H05VVH2F TA-17	1
6	SCREW TAPPING	7121301411	T2S PAN 3X14 MFZN	1
7	SPRING AS	3625102005	SUS-301EH+ COVER 3800	1
8	SCREW TAPPING	7121301411	T2S PAN 3X8 MFZN	1
9	BRACKET CR	3620601600	PC	1
10	TERMINAL AS	3628709800	Y-TERMINAL+HOUSING	1
11	SCREW TAPPING	7121400611	T2S PAN 4X6 MFZN	2
12	SHAFT REEL	3624900510	PC	1
13	SCREW TAPPING	7121401411	T2S PAN 4X14 MFZN	1

## 4. DUST COVER ASSEMBLY



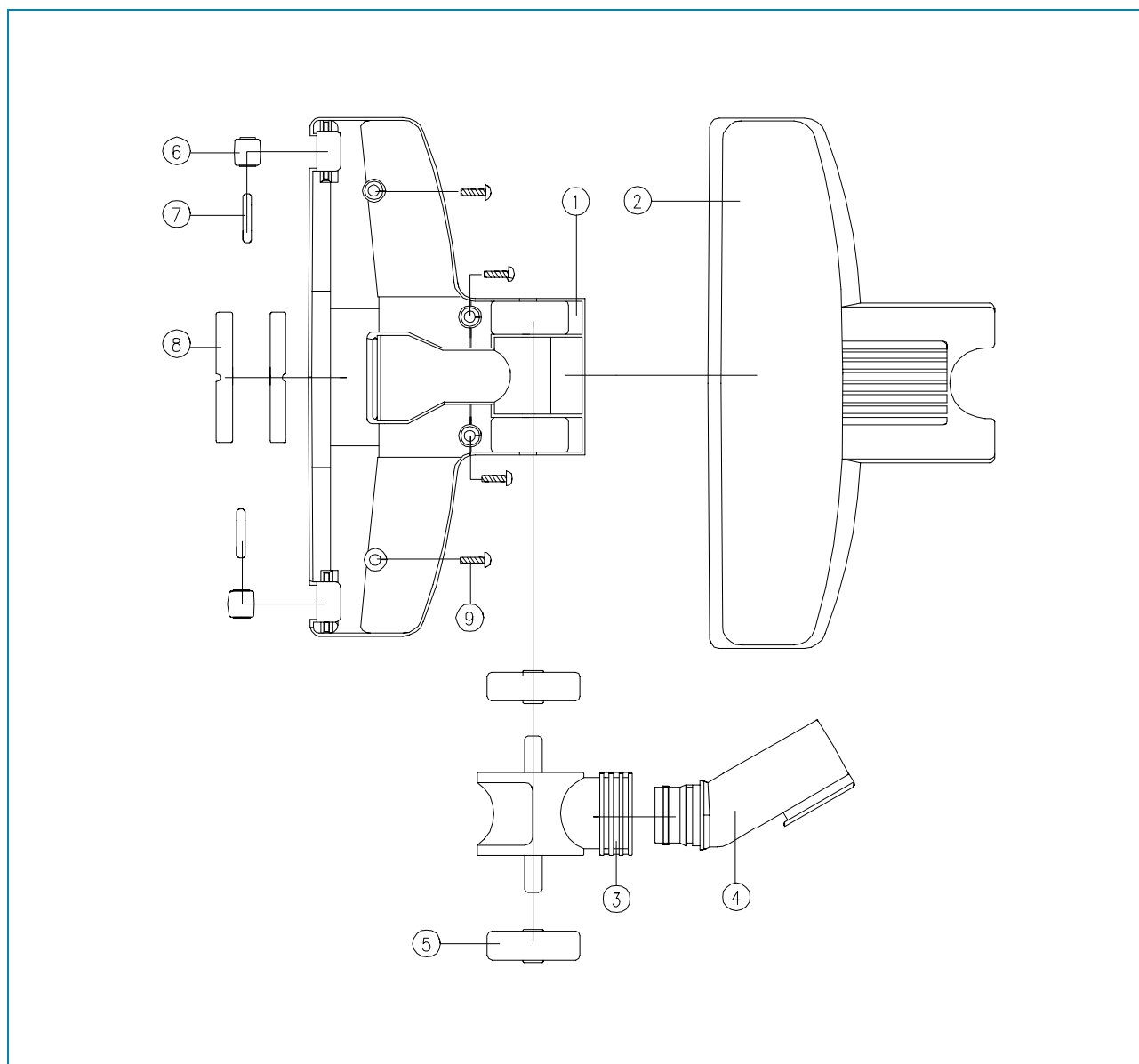
No	PART NAME	CODE	SPEC	Q'TY
1	COVER DUST	3621417000	ABS KR-2870	1
2	SOCKET	3629800600	ABS KR-2870	1
3	CLAMP COVER	3621202000	ABS KR-2870	1
4	SPRING CLAMP	3625106400	HSW3	1
5	HOSING DM	3626100300	GPPS	1
6	DUST METER	3629702100	ABS	1
7	CAP DM	3620903500	LDPE	1
8	SPRING DM	3625106300	SUS	1
9	SCREW TAPPING	7121401411	T2S PAN 4X14 MFZN	1
10	COVER TOP	3621417150	PP	1
11	BUTTON POWER	3626603650	ABS	1
12	BUTTON CR	3626603750	ABS	1
13	SPRING	3625103400	HSW3 CR BUTTON	2
14	HANDLE	3622601400	PP	1
15	SCREW TAPPING	7121402011	T2S PAN 4X20 MFZN	2
16	KNOB COLNTROL	3623401000	ABS	1
17	CAP KNOB	3620903800	ABS	1

## 5. HOSE ASSEMBLY



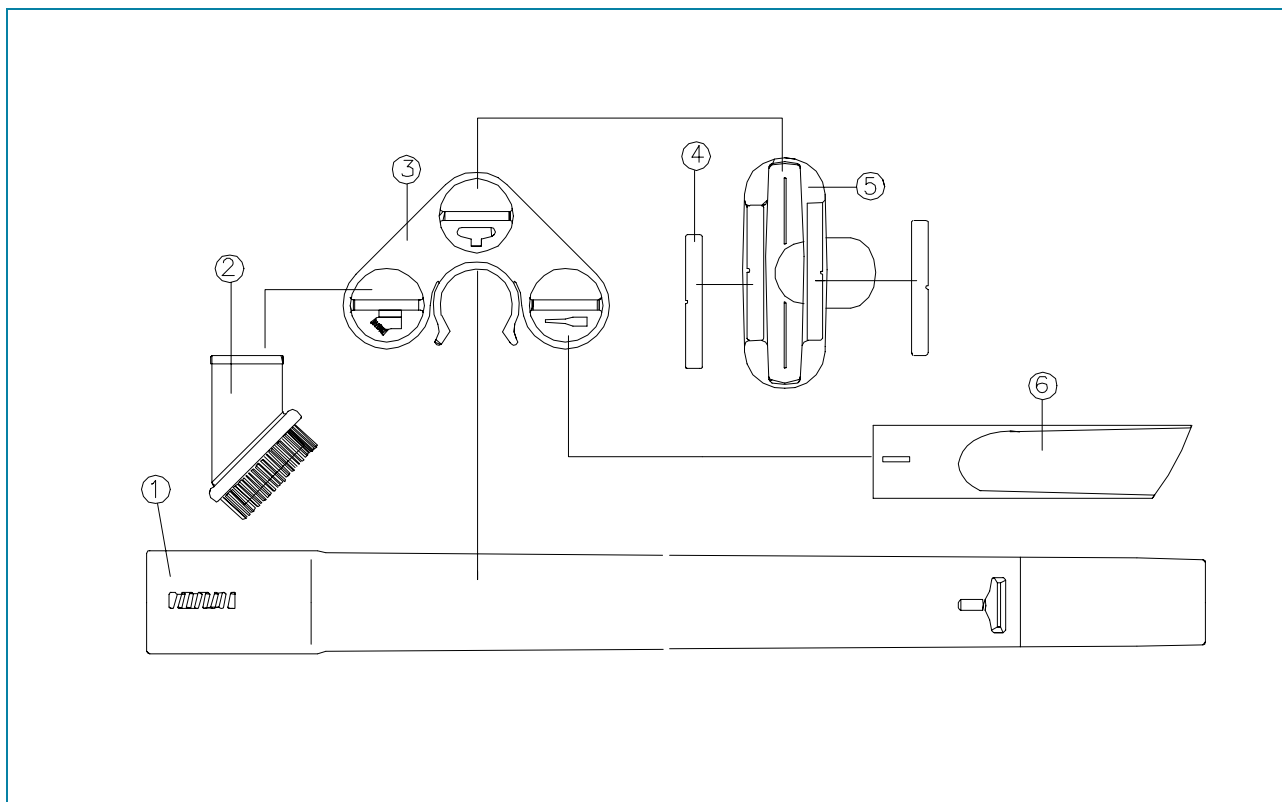
No	PART NAME	CODE	SPEC	Q'TY
1	ADAPTER PIPE	3629101700	PP	1
2	HOLDER HOSE	4569A71021	PP	2
3	RING HOSE	3624600200	PP	1
4	HOSE	3623206300	EVA 1.8M	1
5	CUFF HOSE	3626800200	LDPE	1
6	PIPE HOSE	3624408200	PP	1
7	PACKING HOLE	3624005900	EVA SPONGE	1
8	VALVE AIR	3625400400	PP	1

## 6. WIDE SUCTION BRUSH ASSEMBLY



No	PART NAME	CODE	SPEC	Q'TY
1	BODY BRUSH	3620406400	PP	1
2	COVER BRUSH	3621417200	PP	1
3	NECK BRUSH	3628001600	PP	1
4	PIPE BRUSH	3624408300	PP	1
5	ROLLER-B BRUSH	3624703000	SBS	2
6	ROLLER-F BRUSH	3624703100	SBS	2
7	SHAFT ROLLER	3624900900	PA	2
8	PICKER LITTER	3627000700	PA	2
9	SCREW TAPPING	7171401411	TT2 PAN 4X14 MFZN	4

## 7. EXTENSION PIPE AND NOZZLES



No	PART NAME	CODE	SPEC	Q'TY
1	PIPE EXTENSION	3624408500	PP	2
2	BRUSH DUSTING	3629305000	PP+NYLON	1
3	HOLDER NOZZLE	3623004200	PP	1
4	PICKER LITTER	3627000700	PA	2
5	NOZZLE UPHOLSTERY	3628100700	PP	1
6	NOZZLE CREVICE	3628100600	PP	1

# **DAEWOO**

**DAEWOO ELECTRONICS CO., LTD**

686, AHYEON-DONG MAPO-GU  
SEOUL, KOREA  
C.P.O. BOX 8003 SEOUL, KOREA  
TELEX : DWELEC K28177-8  
CABLE : "DAEWOOELEC"  
E-mail : G7F00E@web.dwe.co.kr  
FAX : 02) 360-8184  
TEL: 02) 360-8179-8180

**PRINTED DATE : NOV. 1998**