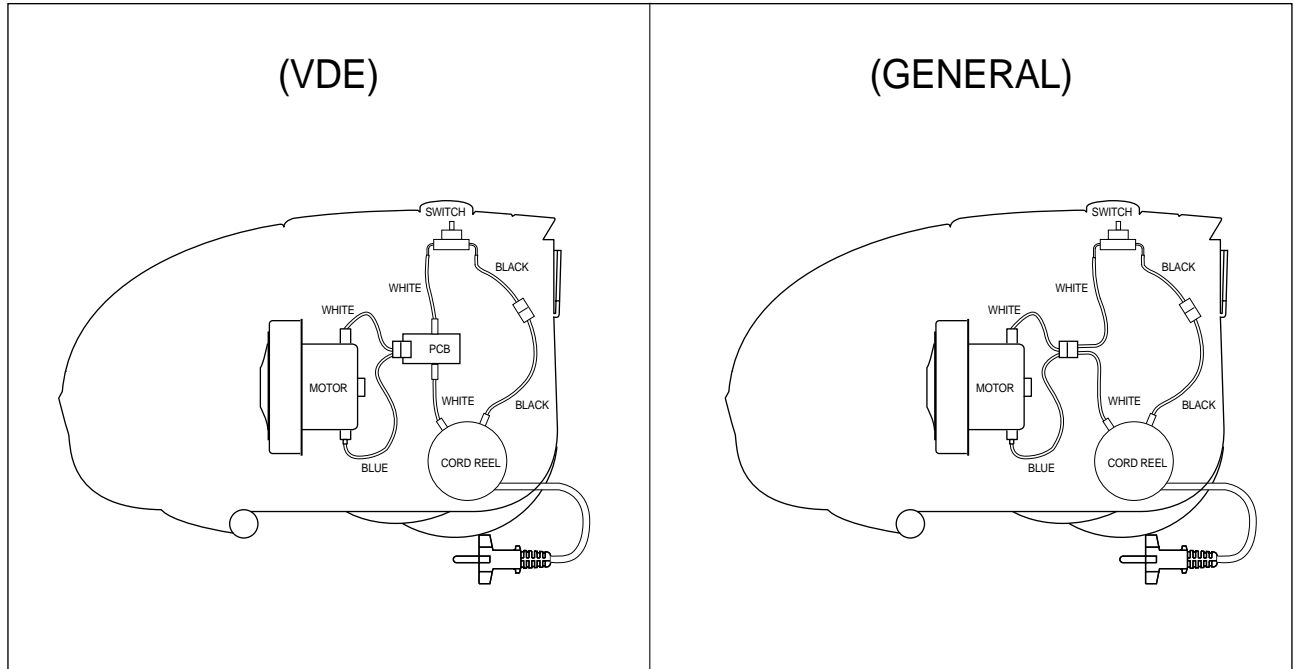


1. SPECIFICATIONS

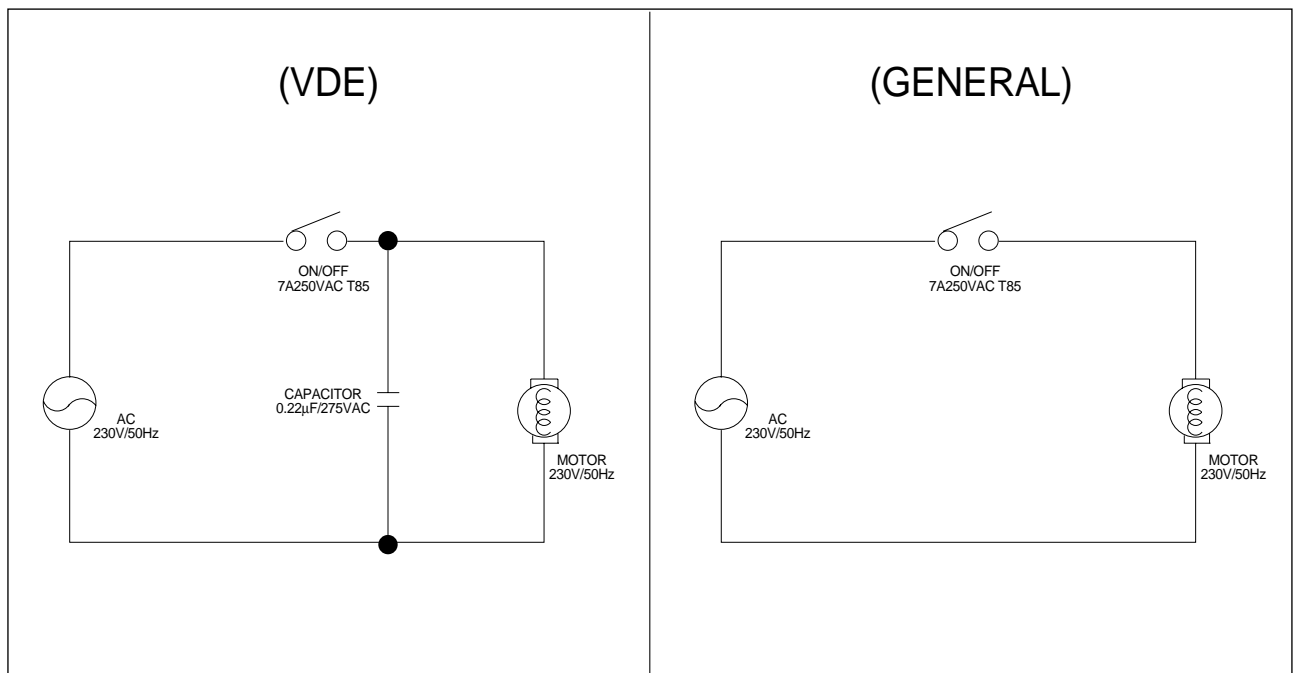
MODEL	RC-300
RATED VOLTAGE / FREQUENCY	230V / 50Hz
INPUT WATT	1200W(MAX)
WEIGHT(BODY)	3.7kg
DIMENSION (L × H × D)	354 × 240 × 262 mm
CORD LENGTH	5m
POWER CONTROL	BODY ON/OFF
DUST METER	MECHANICAL
HOSE	NON-CURRENT 1.5m
EXTENSION PIPE	2 PLASTICS
NOZZLE	“WIDE SUCTION BRUSH, DUSTING BRUSH,” “CREVICE NOZZLE,” UPHOLSTERY NOZZLE

2. DIAGRAM

2-1. WIRING DIAGRAM



2-2. CIRCUIT DIAGRAM



3. TROUBLE SHOOTING GUIDE

TROUBLE	CAUSE	COUNTERMEASURE
SUCTION POWER IS WEAK	FILTER BAG(PAPER OR CLOTH) IS FULL WITH DUST	CHANGE IT WITH NEW ONE
	CLOGGING OR TEAR IN HOSE	REMOVE OBSTACLE OBSTACLE OR REPLACE THE HOSE
	DEFECTIVE MOTOR	REPLACE THE MOTOR
CLEANER DOES NOT WORK	BREAKING IN POWER CORD (AT BLADE TIP OR ROOT OF CORD)	REPAIR
	BREAKING OF CONNECTIONS OR POOR CONTACTS IN CORD REEL ASSEMBLY	REPAIR
	DEFECTIVE MOTOR	REPLACE IT
	BREAKING OF CONNECTIONS IN BODY ASSEMBLY	REPAIR
	DEFECTIVE SWITCH	REPLACE IT
POWER CORD IS NOT WOUND UP	BROKEN REEL SPRING	REPLACE IT
	POWER CORD BROKE AWAY FROM THE BOBBIN	REPAIR

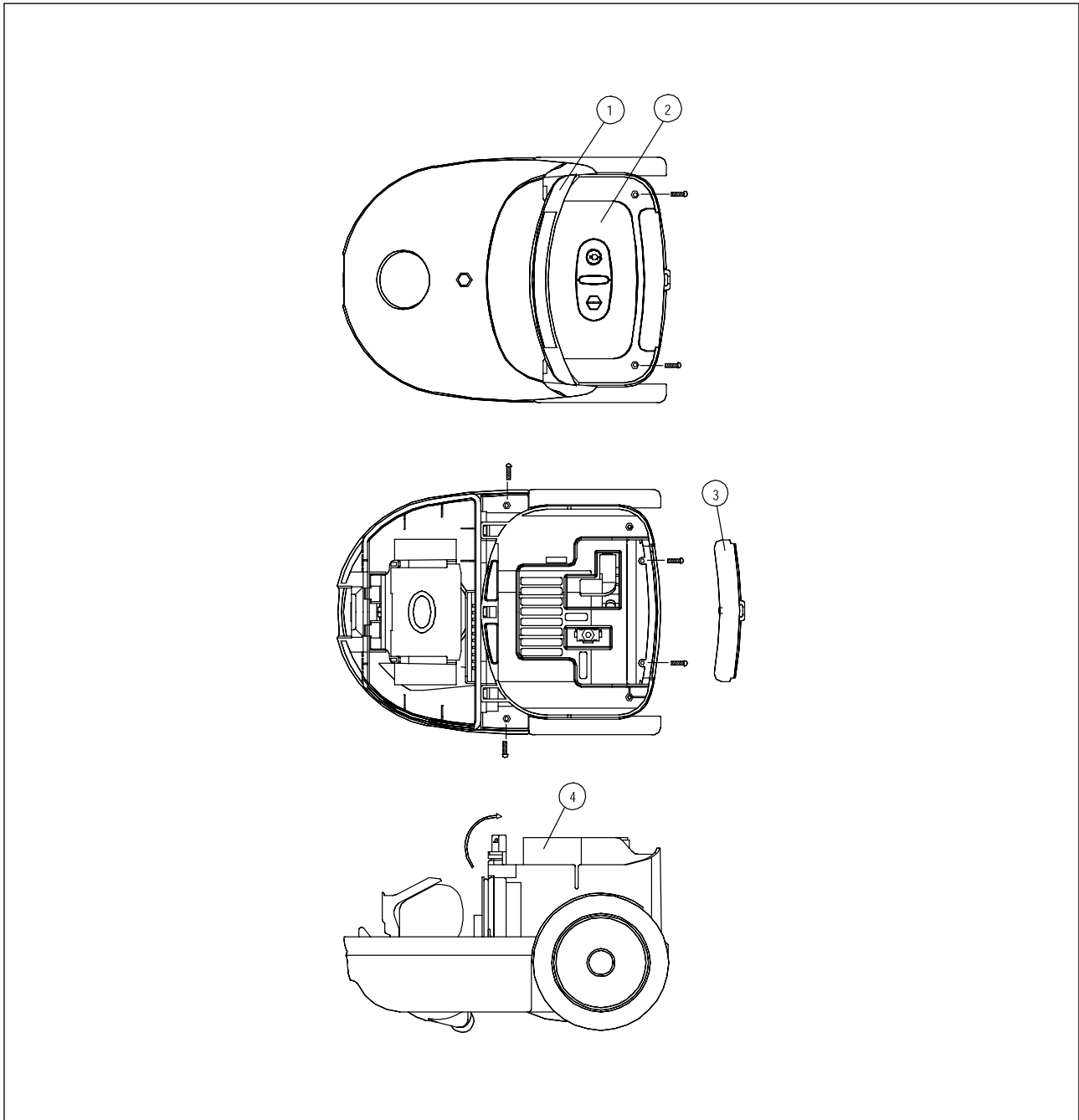


CAUTION - BE CAREFUL WHEN BREAKING UP THE CORD REEL. THE REEL SPRING MAY SPRING OUT OF THE SPRING COVER.

POWER CORD DOES NOT STOP AT AN ARBITRARY POSITION	ABRASION OF THE ROLLER BRAKE(STOPPER CR)OF CORD REEL	REPLACE THE ROLLER BRAKE (STOPPER CR)
	LEVER SPRING BROKE AWAY FROM THE CORD REEL BRACKET	REPAIR

4. DISASSEMBLING AND TREATMENT

4-1. CLEANER ASSEMBLY



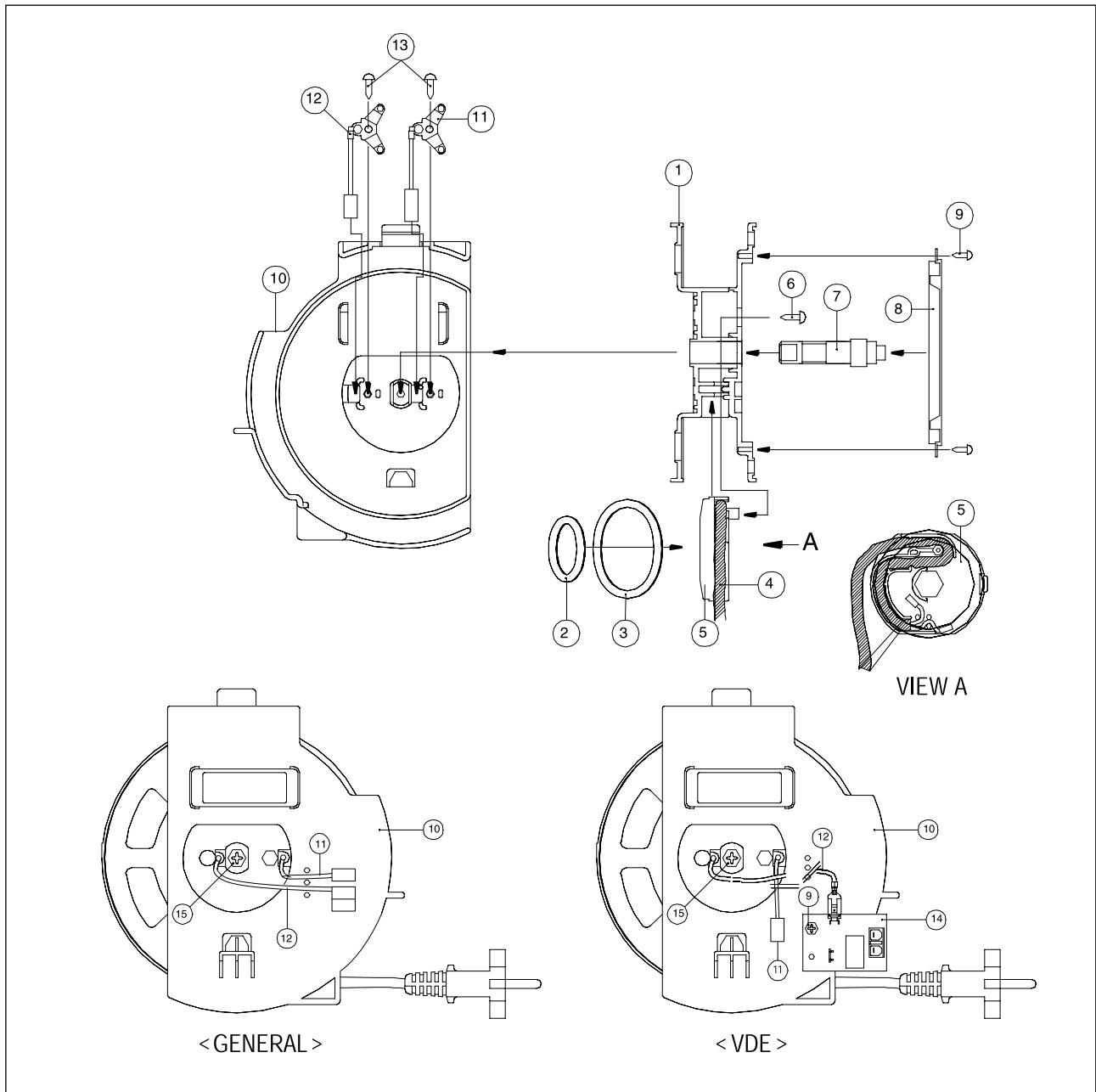
1) While standing the handle(1), unscrew the 2(+) screws.

Lift the dust cover assembly(2).

2) Separate the case filter. Unscrew the 4(+) screws.

3) Rotate and lift the body cover assembly(4).

4-2. CORD REEL ASSEMBLY



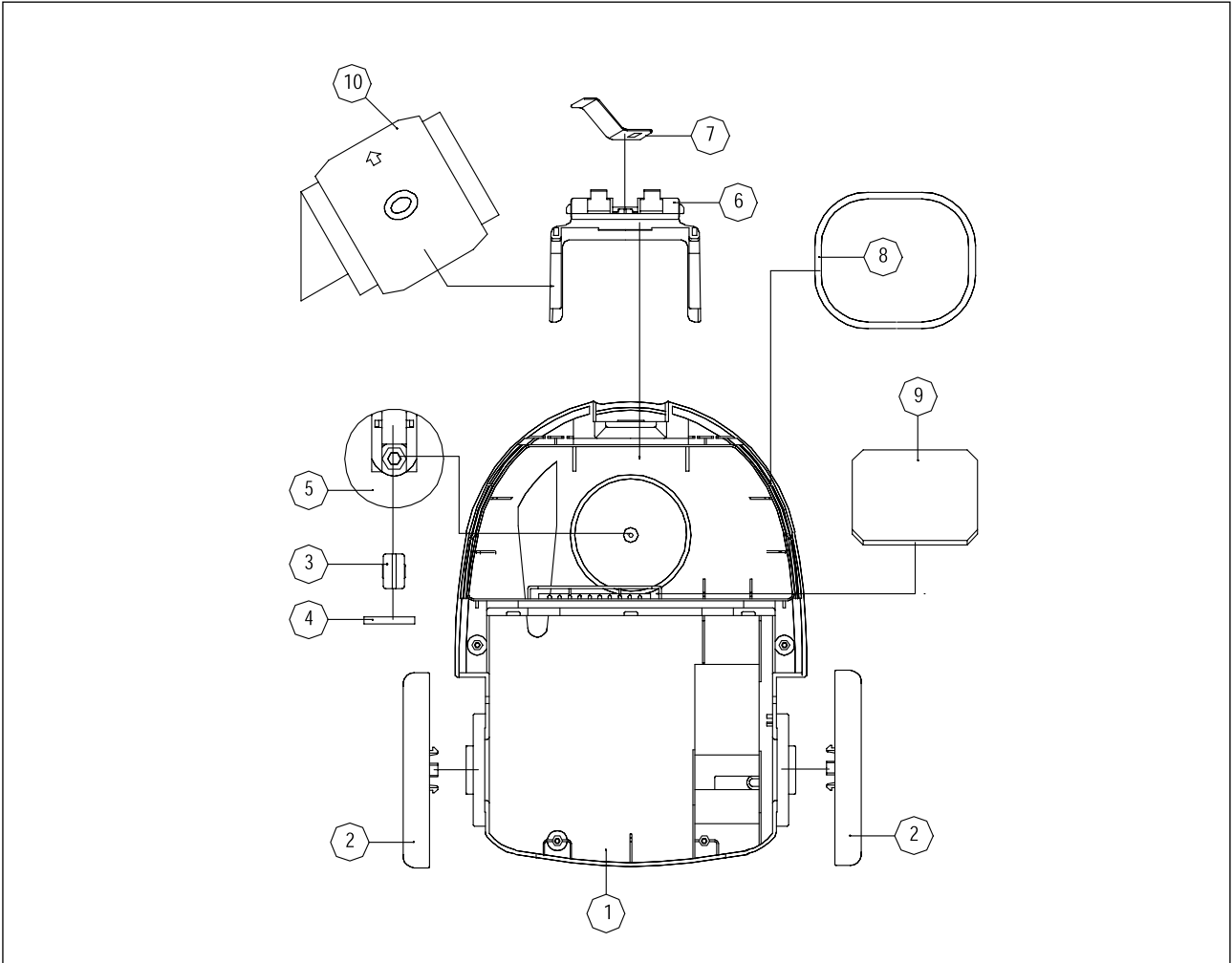
- 1) Take the cord reel out of the body cover.
- 2) Unscrew the screw and separate the bobbin from the bracket and check the contacts between the Y terminals.
At this time, the bobbin is rotated counterclockwise due to the preserved winding.
- 3) If the reel spring is broken, unscrew the 2 screws and replace it.

⚠ CAUTION - WHEN DISASSEMBLING, THE REEL SPRING MAY SPRING OUT OF THE COVER.

- 4) Unscrew the screw and part bobbin.
- 5) Check the connections between the power cord and the terminals.
- 6) When assembling, make the reserved winding 4 revolutions of bobbin clockwise.

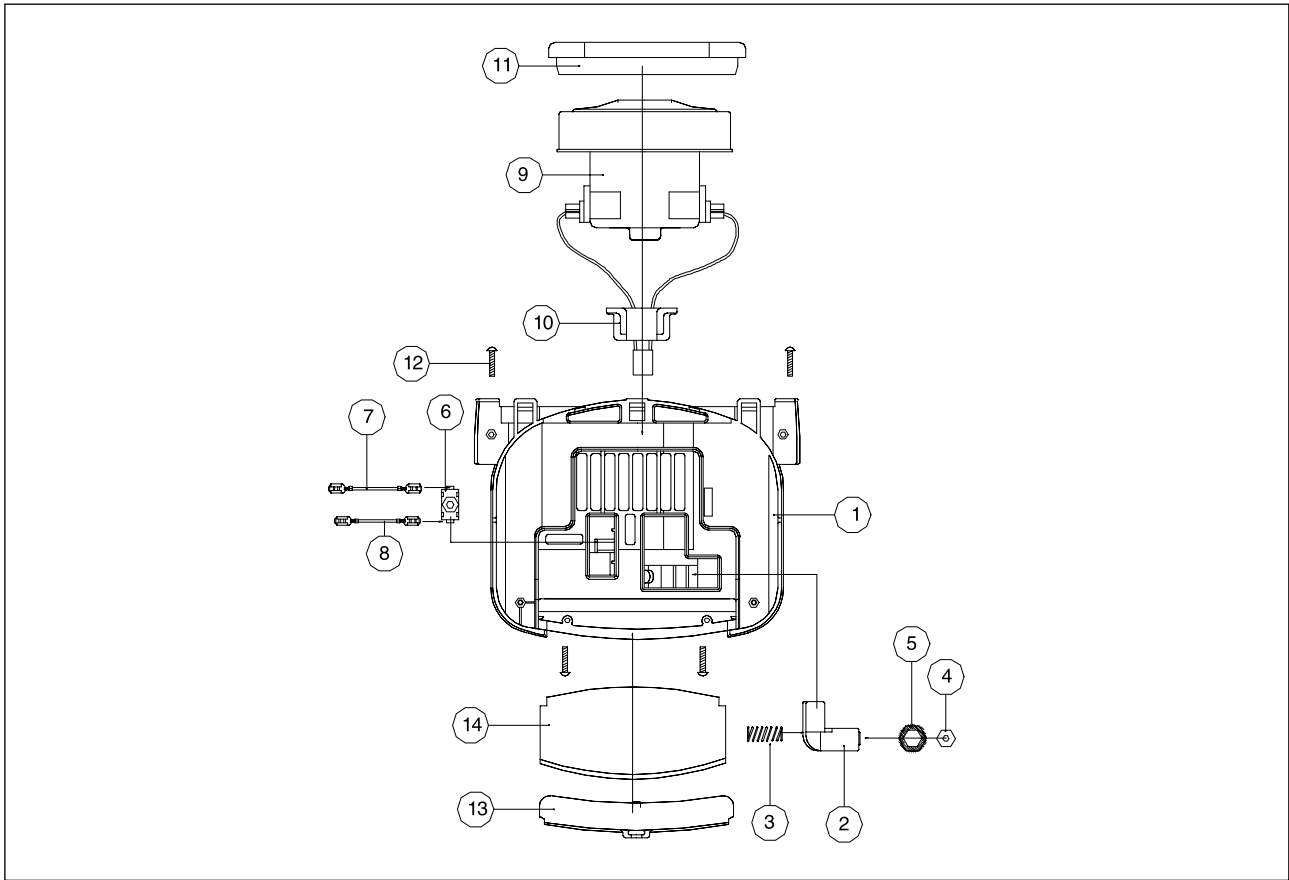
5. EXPLODED VIEW AND PARTS LIST

5-1. BODY ASSEMBLY



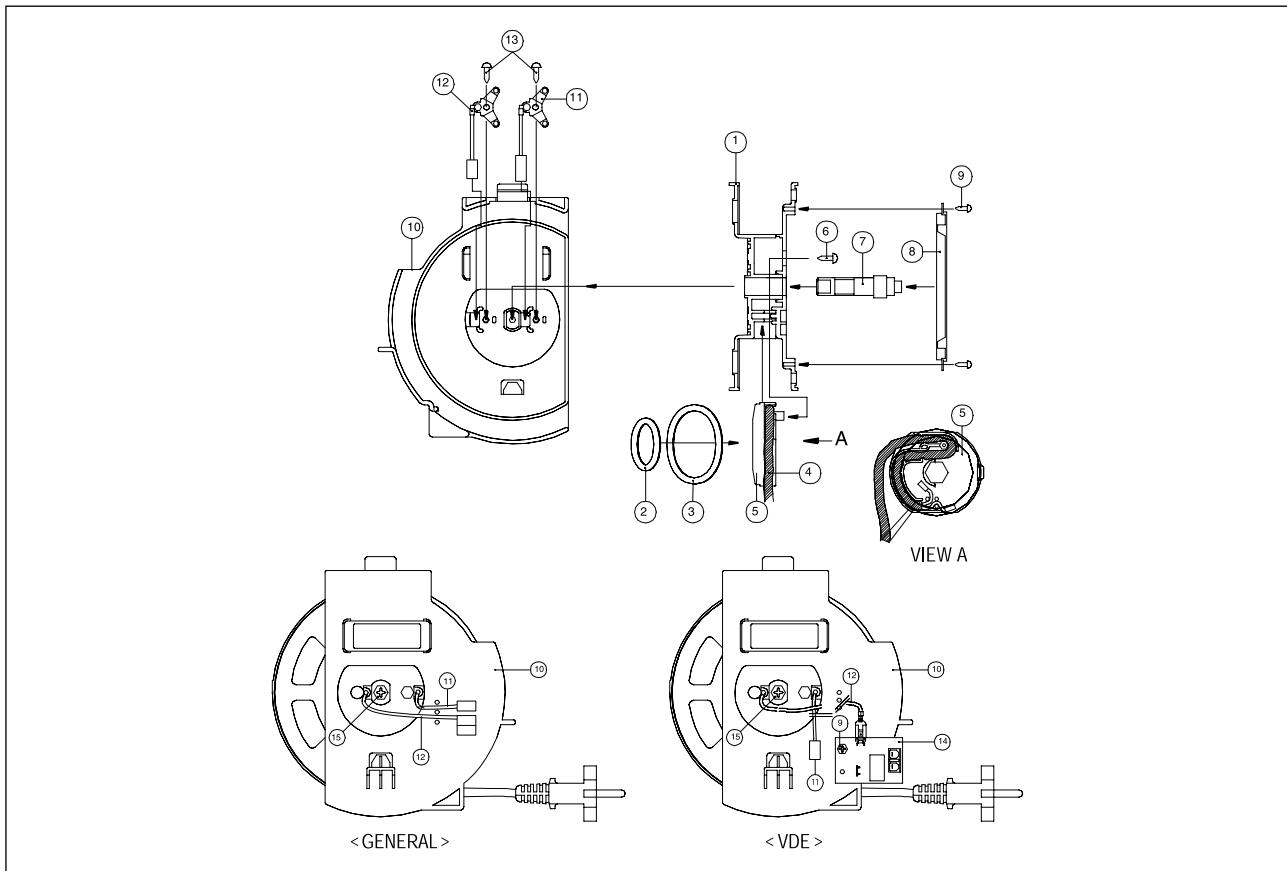
NO	PART NAME	PART CODE	SPEC.	Q' TY
1	BODY	3620406300	PP	1
2	ROLLER BACK	3624703400	PP	2
3	ROLLER FRONT	3624703600	PP	1
4	SHAFT ROLLER	3624901000	SWRM	1
5	BRACKET ROLLER	3620601500	PP	1
6	HOLDER FILTER	3623004000	PP	1
7	SPRING HOLDER	3625106000	SK-5	1
8	GASKET	3624004800	RUBBER FOAM	1
9	FILTER-IN	3621904200	POLYESTER	1
10	BAG FILTER	3620202500	"2-LAYER, 3L"	1
11	SCREW TAPPING	7128401212	T2S WAS 4X12	1

5-2. BODY COVER ASSEMBLY



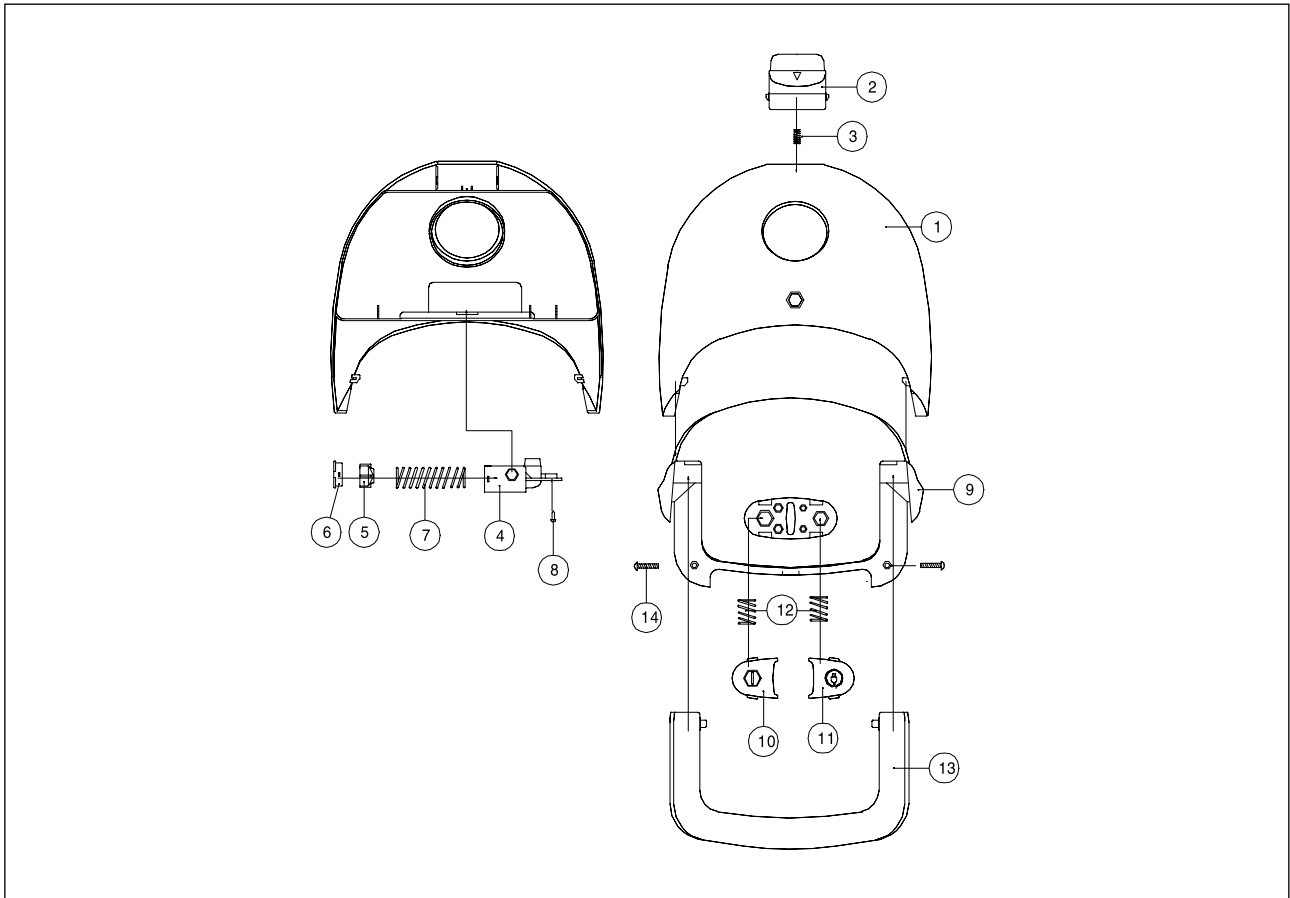
NO	PART NAME	PART CODE	SPEC.	Q'TY
1	COVER BODY	3621416900	PP	1
2	LEVER CR	3623702000	PC LEXAN 121	1
3	SPRING LEVER	3625104300	HSW3	1
4	FRAME STOPPER	4565A35070	POLY ACETAL	1
5	STOPPER CR	4569C35082	NBR	1
6	SWITCH PUSH	3629002000	"7A/250V, (SKT)"	1
7	HARNESS	3622710000	RECEP+WIRE (BK)	1
8	HARNESS	3622709600	RECEP+WIRE (WH), VDE	1
		3622709610	RECEP+WIRE (WH), GENERAL	1
9	MOTOR UNIVERSAL	3962511410	230V 1100W DMI	1
10	MOUNT MOTOR	3627900900	TPE	1
11	PACKING MOTOR	3624004900	SBR	1
12	SCREW TAPPING	7171402011	TT2 PAN 4X20	4
13	CASE FILTER	3621103000	PP	1
14	FILTER EXHAUST	3621904300	POLYESTER	1

5-3. CORD REEL ASSEMBLY



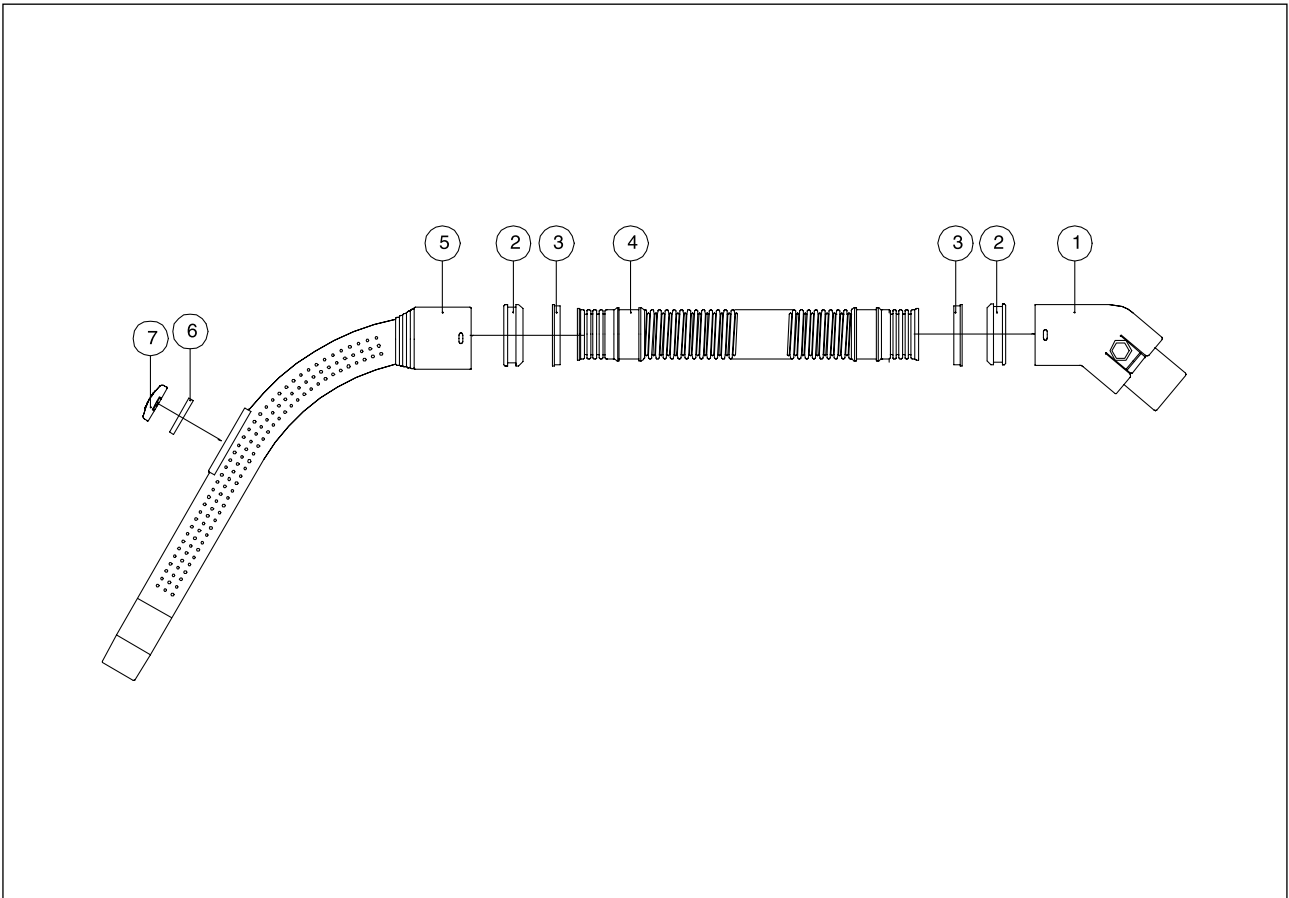
NO	PART NAME	PART CODE	SPEC.	Q' TY
1	BOBBIN	3629200600	PP	1
2	TERMINAL OA	3628705800	"C2800S-H, T=0.5"	1
3	TERMINAL OB	3628705900	"C2800S-H, T=0.5"	1
4	CORD POWER	3621302500	250V 16A H05VVH2F TA-17	1
5	SUPPORTER	3625300100	PC LEXAN 500	1
6	SCREW TAPPING	7121301411	T2S PAN 3X14 MFZN	1
7	SHAFT REEL	3624900510	PC LEXAN 500	1
8	SPRING AS	3625102005	"SUS301-EH+COVER, 3800mm"	1
9	SCREW TAPPING	7121300811	T2S PAN 3X8 MFZN, VDE	3
10	BRACKET CR	3620601600	PC	1
11	TERMINAL Y AS	3628709500	Y TER+WIRE(BK)	1
12	TERMINAL Y AS	3628709400	Y TER+WIRE(WH), VDE	1
		3628709410	Y TER+WIRE(WH), GENERAL	1
13	SCREW TAPPING	7121400611	T2S PAN 4X6 MFZN	2
14	PCB AS	3624307600	RC-300 230V/50Hz, VDE	1
15	SCREW TAPPING	7121401411	T2S PAN 4X14 MFZN	1

5-4. DUST COVER ASSEMBLY



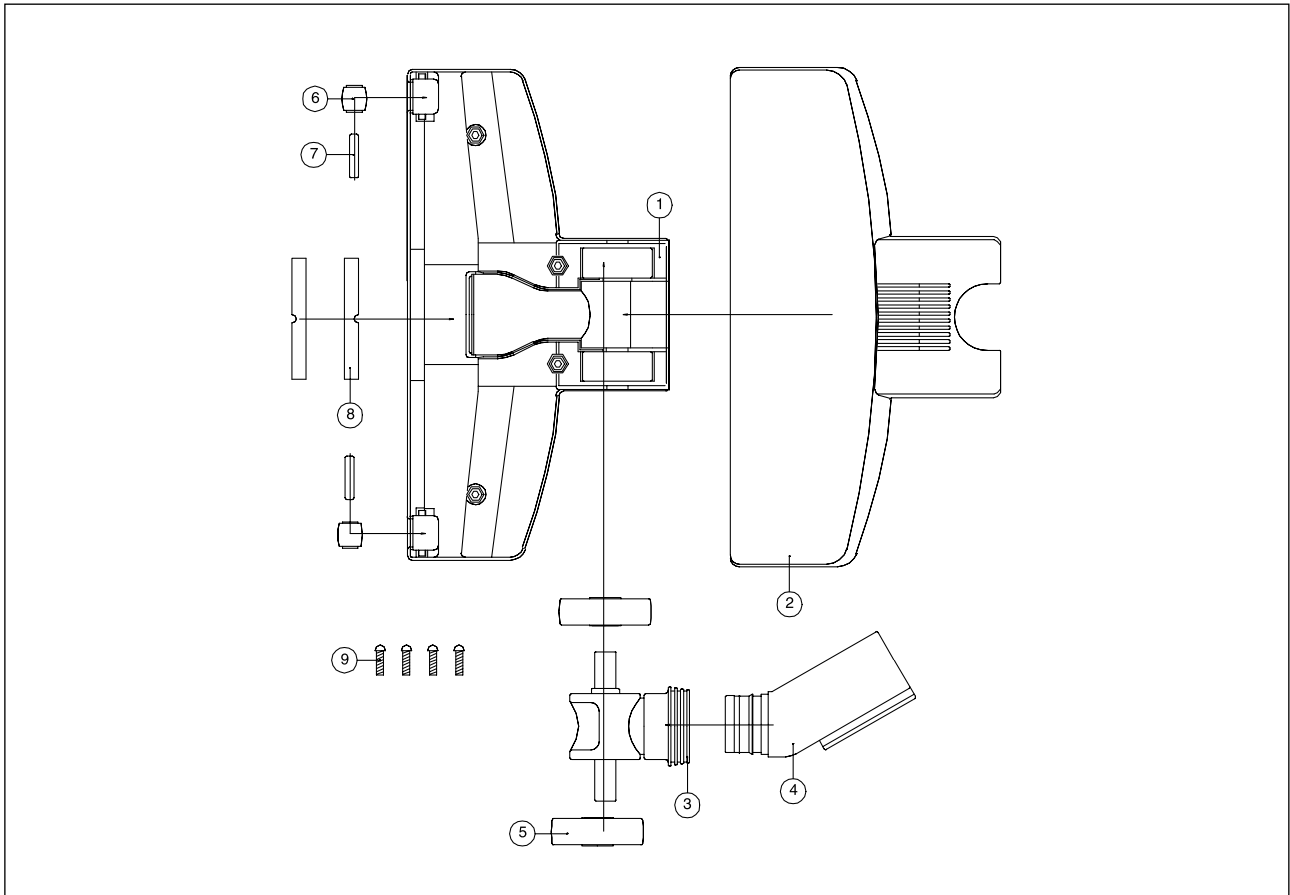
NO	PART NAME	PART CODE	SPEC.	Q' TY
1	COVER DUST	3621417900	ABS KR-2870	1
2	CLAMP COVER	3621202000	ABS KR-2870	1
3	SPRING CLAMP	3625106400	HSW3	1
4	HOUSING DM	3626100300	GPPS	1
5	DUST METER	3629702100	ABS	1
6	CAP DM	3620903500	LDPE	1
7	SPRING DM	3625106300	SUS	1
8	SCREW TAPPING	7121401411	T2S PAN 4X14 MFZN	1
9	COVER TOP	3621417100	PP	1
10	BUTTON POWER	3626603600	ABS	1
11	BUTTON CR	3626603700	ABS	1
12	SPRING	3625103400	HSW3 CR BUTTON	2
13	HANDLE	3622601400	PP	1
14	SCREW TAPPING	7121402011	T2S PAN 4X20 MFZN	2

5-5. HOSE ASSEMBLY



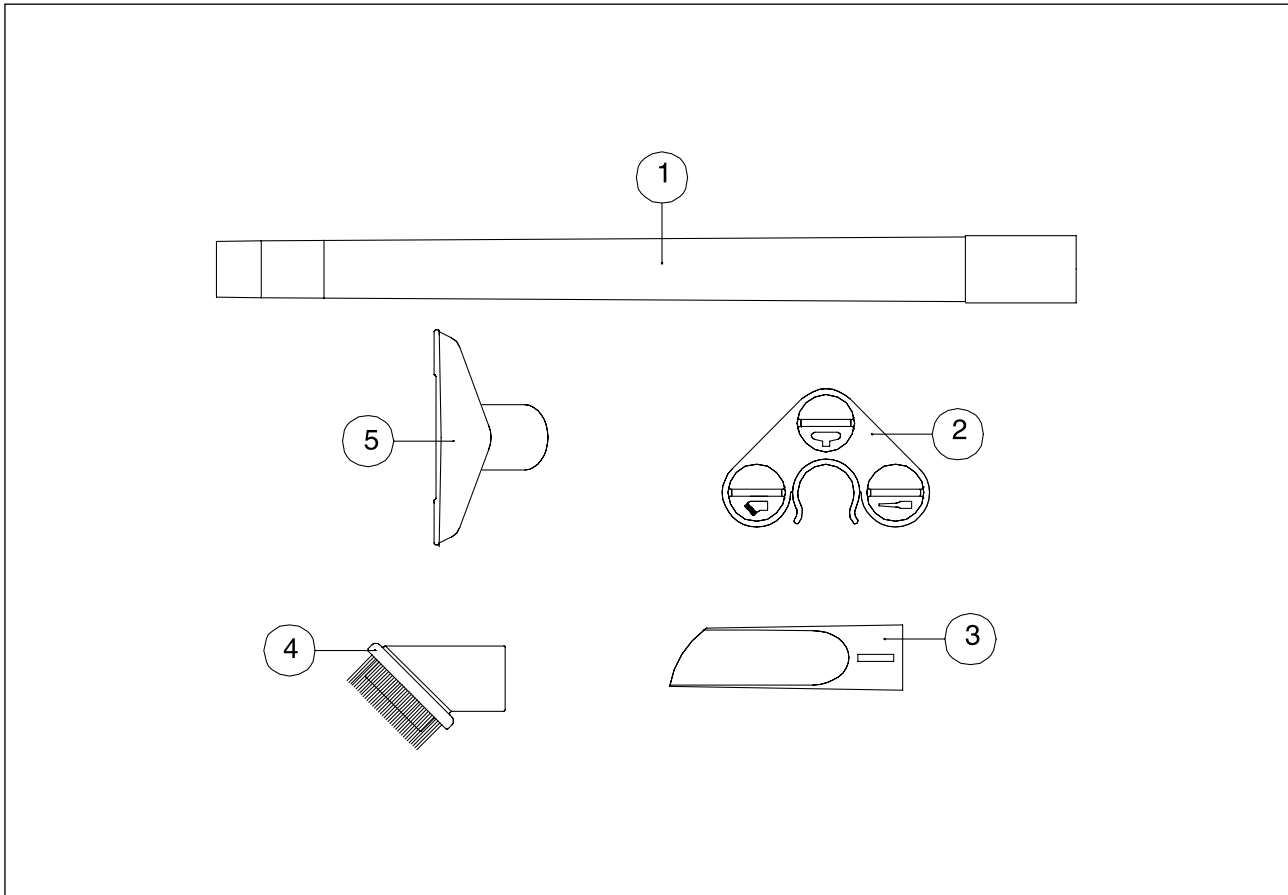
NO	PART NAME	PART CODE	SPEC.	Q' TY
1	ADAPTER PIPE	3629101700	PP	1
2	HOLDER HOSE	4569A71021	PP	2
3	RING HOSE	3624600200	PP	2
4	HOSE	3623206300	"EVA, 1.8M"	1
5	PIPE HOSE	3624408200	PP	1
6	PACKING HOLE	3624005900	EVA SPONGE	1
7	VALVE AIR	3625400400	PP	1

5-6. WIDE SUCTION BRUSH ASSEMBLY



NO	PART NAME	PART CODE	SPEC.	Q'TY
1	BODY BRUSH	3620406400	PP	1
2	COVER BRUSH	3621417200	PP	1
3	NECK BRUSH	3628001600	PP	1
4	PIPE BRUSH	3624408300	PP	1
5	ROLLER-B BRUSH	3624703000	SBS	2
6	ROLLER-F BRUSH	3624703100	SBS	2
7	SHAFT ROLLER	3624900900	PA	2
8	PICKER LITTER	3627000700	PA	2
9	SCREW TAPPING	7171401411	TT2 PAN 4X14 MFZN	4

5-7. EXTENSION PIPE AND NOZZLES



NO	PART NAME	PART CODE	SPEC.	Q' TY
1	PIPE EXTENSION	3624408500	PP	2
2	HOLDER NOZZLE	3623004200	PP	1
3	NOZZLE CREVICE	3628100600	PP	1
4	BRUSH DUSTING	3629305000	PP+NYLON	1
5	NOZZLE UPHOLSTERY	3628100700	PP+PICKER LITTER	1

DAEWOO

DAEWOO ELECTRONICS CO., LTD.

686, AHYEON-DONG MAPO-GU SEOUL, KOREA

C.P.O. BOX 8003 SEOUL, KOREA

TELEX: DWELEC K28177-8

CABLE: "DAEWOOELEC"

TEL: (02) 360-7806

FAX: (02) 360-7877

<http://svc.dwe.co.kr>

PRINTED DATE: FEB.2001

DAEWOO

Service Manual

Vacuum Cleaner

Model: RC-300



DAEWOO ELECTRONICS CO., LTD.

[http : //svc.dwe.co.kr](http://svc.dwe.co.kr)