

**DAEWOO**

# Service Manual

## Vacuum Cleaner

Model: RC-209



**DAEWOO ELECTRONICS CO., LTD.**

# CONTENTS

---

1. SPECIFICATIONS	3
2. DIAGRAM	4
1) WIRING DIAGRAM	4
2) CIRCUIT DIAGRAM	4
3. EXPLODED VIEW AND PARTS LIST	5
1) TOTAL ASSEMBLY	5
2) BODY ASSEMBLY	7
3) COVER ASSEMBLY	9
4) CORD REEL ASSEMBLY	11
5) MOTOR ASSEMBLY	13
6) DUST METER ASSEMBLY	14
7) HOSE LINE ASSEMBLY	15
8) BRUSH ASSEMBLY	17
9) PIPE ASSEMBLY	19
10) BRUSH MULTI ASSEMBLY	20

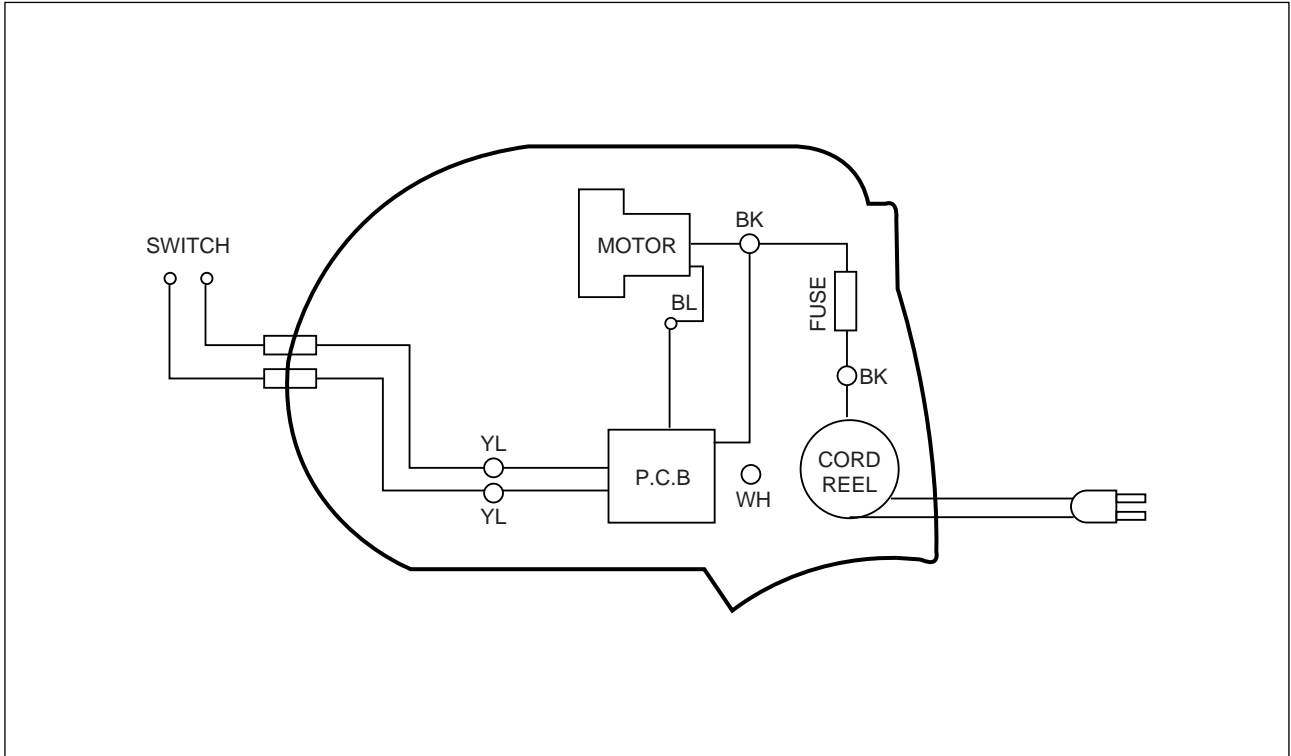
# 1. SPECIFICATIONS

RATED VOLTAGE AND RATED FREQUENCY		AC 100V/ 50~60HZ AC 110V/ 60HZ AC 220V/ 50HZ AC 220V/ 60HZ AC 230V/ 50HZ AC 240V/ 50HZ
RATED INPUT		670W, 1000W
AIR WATT		190W
DEGREE OF VACUUM		2500 mmAq
AIR FLOW		1.1m <sup>2</sup> / min
NOISE		70dB
DIMENSION (L x H x W)		356 x 221 x 246 mm
POWER CORD		RETRACTABLE 5m
SUCTION CONTROL		ON/OFF SWITCH, SLIDE VOLUME
DUST METER		MECHANICAL
PARTS KEEPING		STAND KEEPING
DUST BAG CAPACITY		2.2 Liter
WEIGHT	NET	4.9Kg
	GROSS	6.2Kg
FILTER	DUST CAVITY	2-LAYER PAPER BAG NON-WOVEN FABRIC MAT
	MOTOR CAVITY	NON-WOVEN FABRIC MAT
HOSE		CURRENT 1.3M
EXTENSION PIPE		PLASTIC 2 EA
BRUSH		NORMAL
SPARE PAPER BAG		2EA

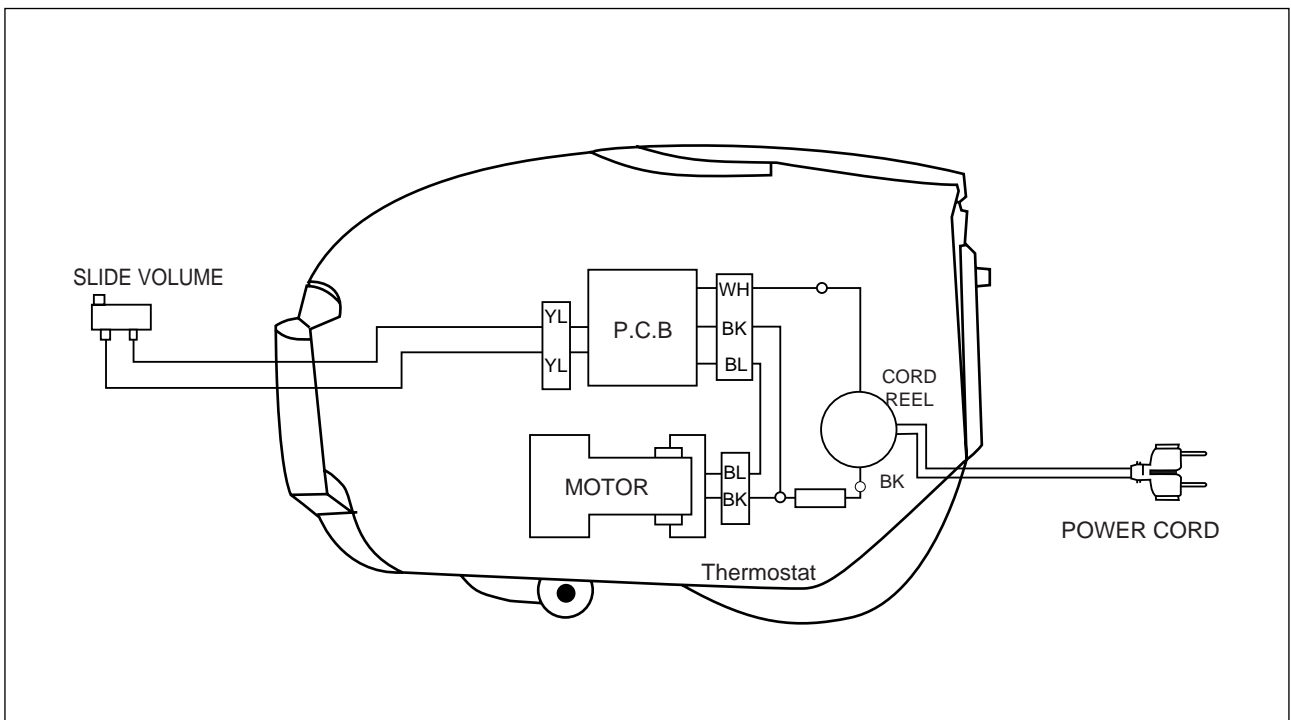
## 2. DIAGRAM

### 1) WIRING DIAGRAM

#### ■ ON/OFF CONTROL

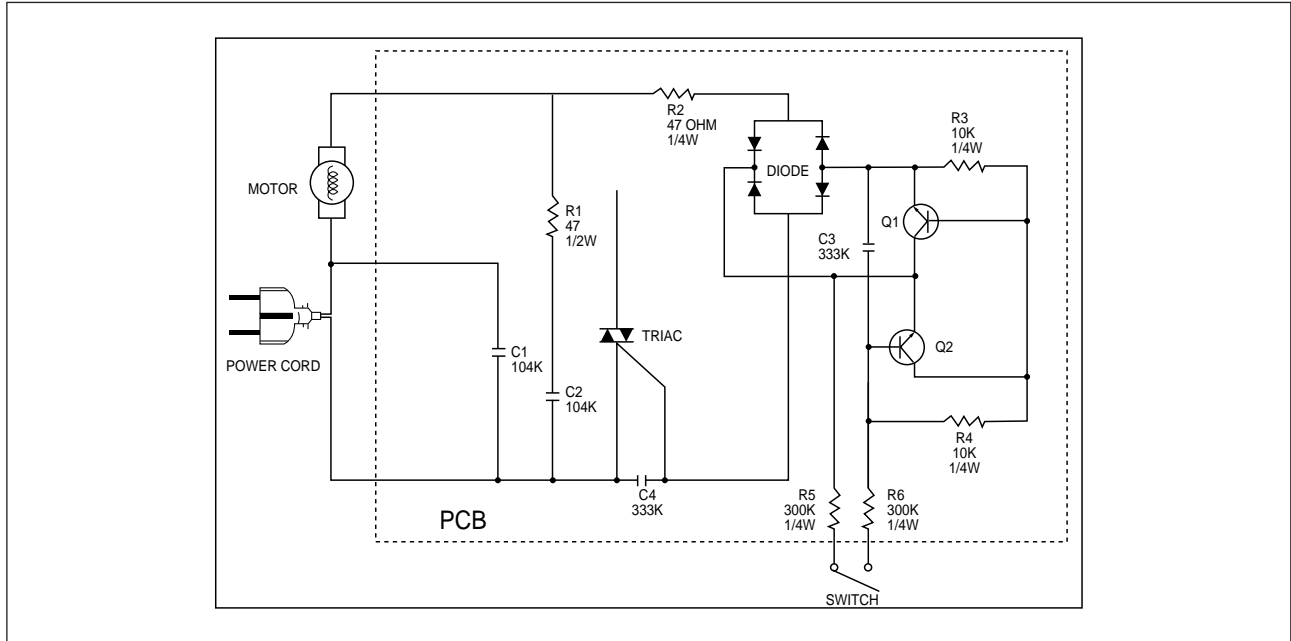


#### ■ DIAC CONTROL

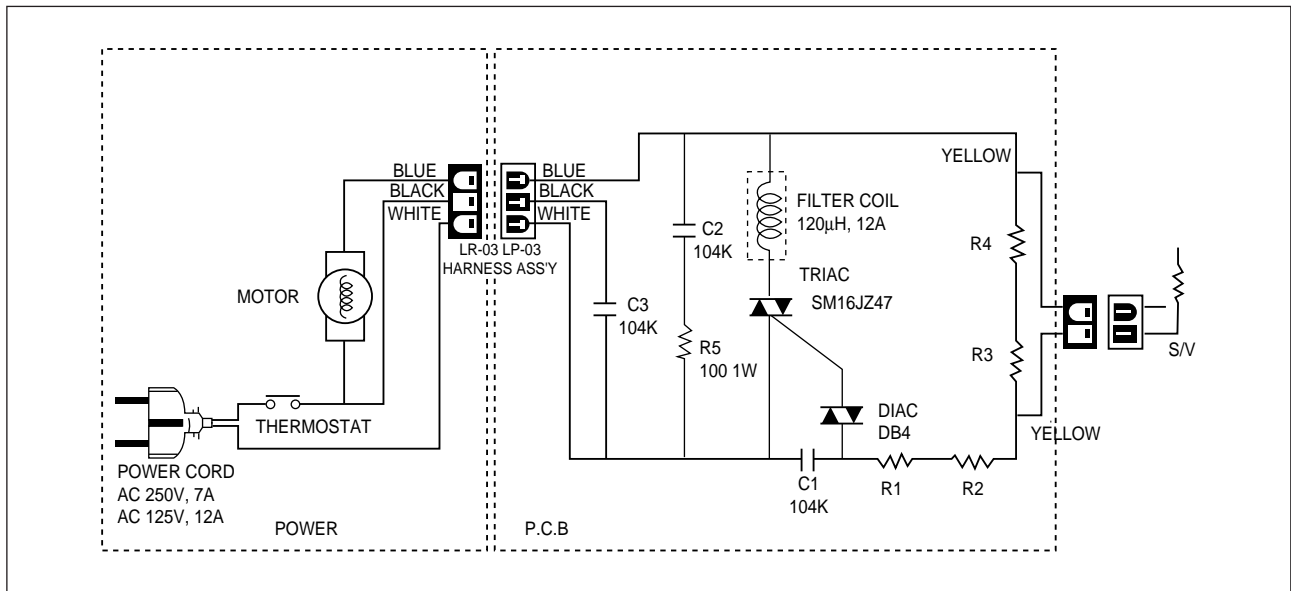


## 2) CIRCUIT DIAGRAM

### ■ ON/OFF CONTROL



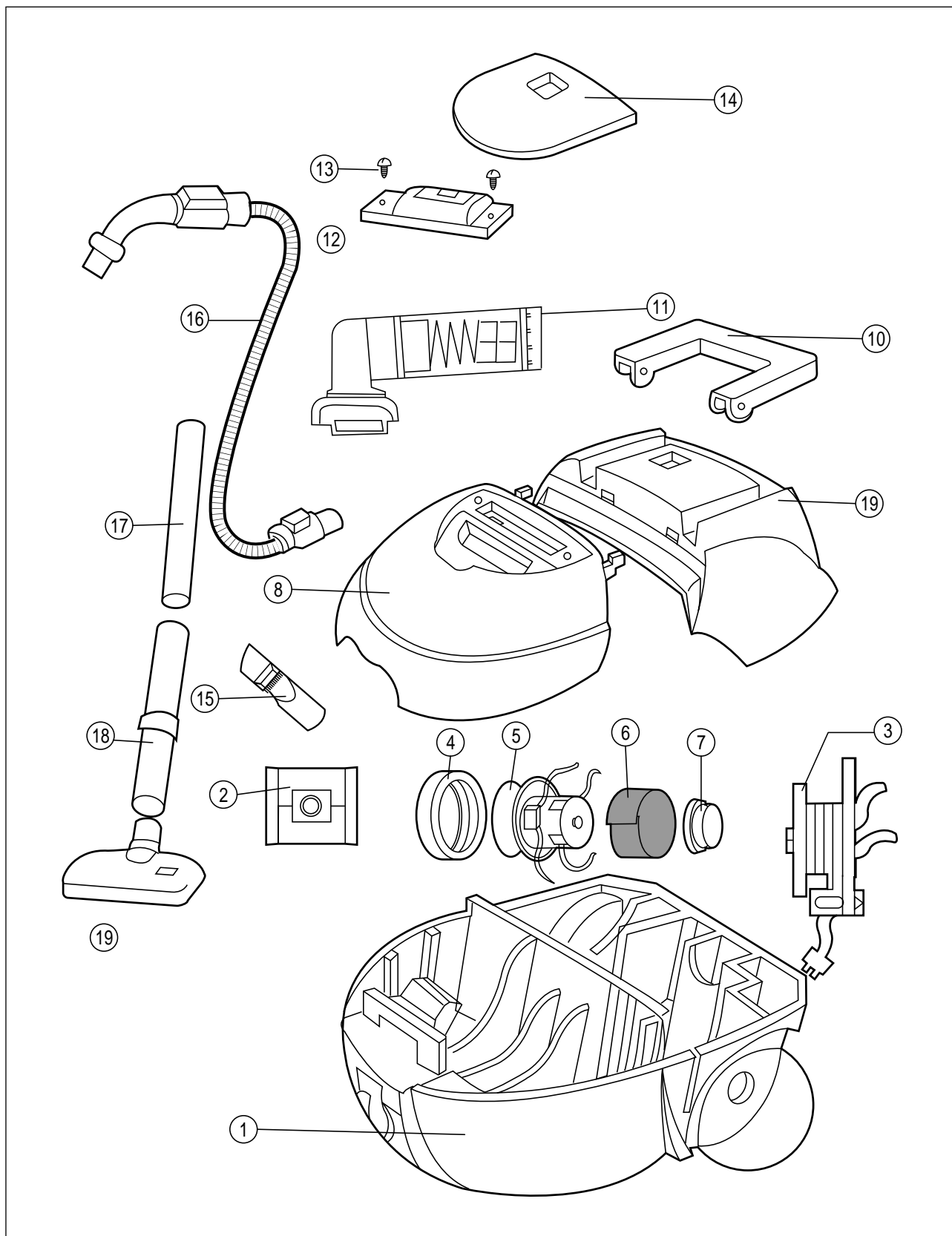
### ■ DIAC CONTROL



VOLTAGE	R1	R2	R3	R4	SLIDE VOLUME	THERMOSTAT
AC 110V/50, 60HZ	1K $\Omega$ 1/2W	1K $\Omega$ 1/2W	91K $\Omega$ 1/2W	91K $\Omega$ 1/2W	200K $\Omega$	85 $^{\circ}$ C
AC 220V/50HZ	10K $\Omega$ 1/2W	10K $\Omega$ 1/2W	180K $\Omega$ 1/2W	240K $\Omega$ 1/2W	500K $\Omega$	85 $^{\circ}$ C
AC 220V/60HZ	10K $\Omega$ 1/2W	10K $\Omega$ 1/2W	150K $\Omega$ 1/2W	160K $\Omega$ 1/2W	500K $\Omega$	85 $^{\circ}$ C

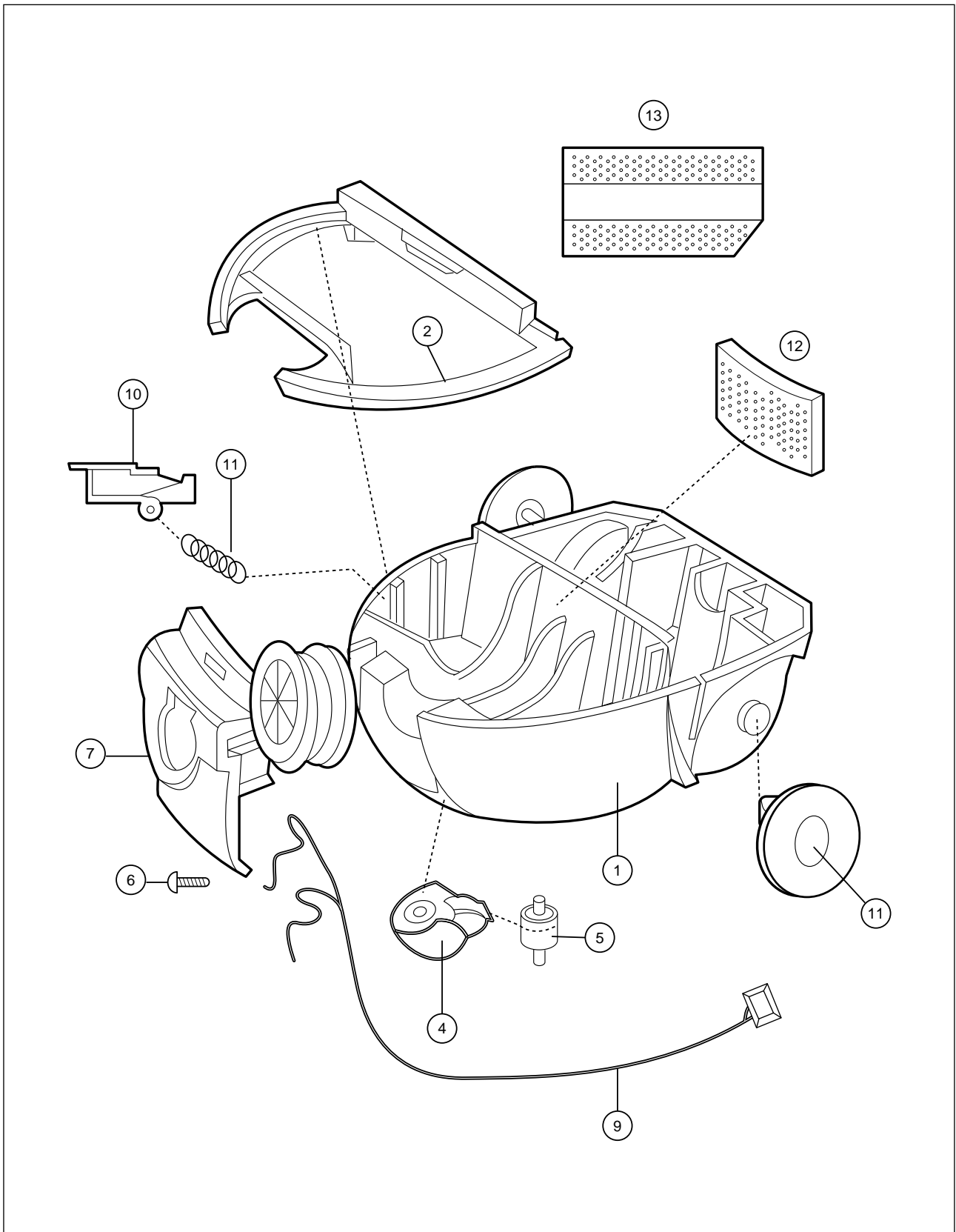
# 3. EXPLODED VIEW AND PARTS LIST

## 1) TOTAL ASSEMBLY



<b>NO</b>	<b>PART CODE</b>	<b>PART NAME</b>	<b>SPECS.</b>	<b>Q'TY</b>	<b>REMARK</b>
1	PRBDSWF200	BODY AS	ASSEMBLY	1	
2	3621900900	FILTER BAG	2-LAYER	1	
3	3629500950	CORD REEL AS	ASSEMBLY	1	
4	4560M20101	CAP MOTOR *FRONT	NR (DMI)	1	
5		MOTOR VC		1	
6	4568A20062	ABSORBER MOTOR	PU-FOAM NON-COMB.	1	
7	3620900605	CAP MOTOR *BACK	NR (DMI)	1	
8	3621406700	COVER DUST AS	ASSEMBLY	1	
9	3621406600	COVER BODY AS	ASSEMBLY	1	
10	3622600300	HANDLE	ABS	1	
11	4560F23000	DUST METER AS	ASSEMBLY	1	
12	4560F30040	COVER DM	ABS	1	
13	7121301011	SCREW	T2S PAN 3X10 MFZN	2	
14	3621406500	COVER NOZZLE	ABS	1	
15	4560A67000	BRUSH MULTI AS	ASSEMBLY	1	
16	3623202400	HOSE LINE AS	ASSEMBLY	1	
17	4560F75030	PIPE I	ABS	1	
18	3624403000	PIPE II	ASSEMBLY	1	
19	3629302500	BRUSH AS	ASSEMBLY	1	

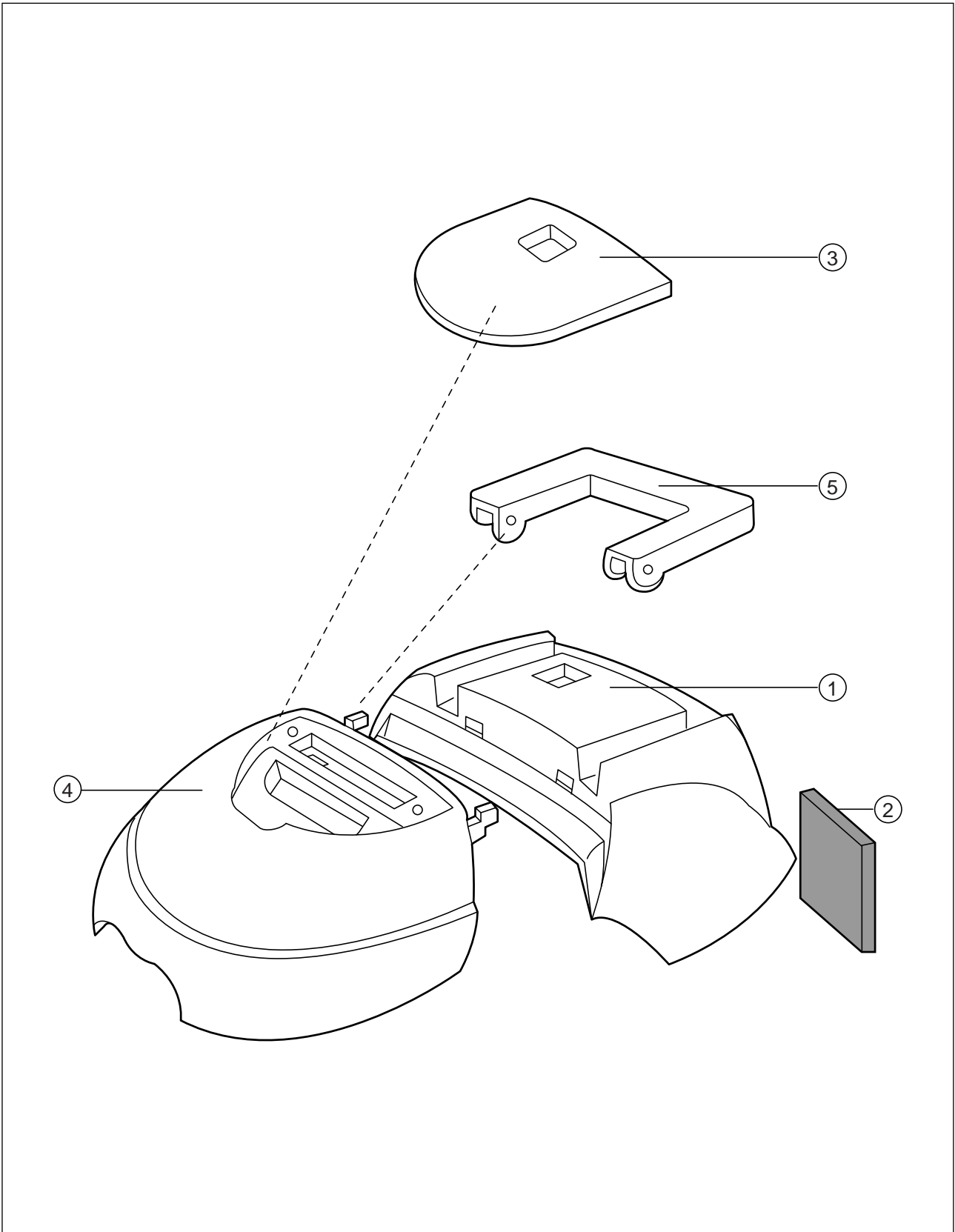
## 2) BODY ASSEMBLY





<b>NO</b>	<b>PART CODE</b>	<b>PART NAME</b>	<b>SPECS.</b>	<b>Q'TY</b>	<b>REMARK</b>
1	4560F20010	BODY	ABS	1	
2	4560F20060	D/C GASKET	S-PVC	1	
3	4560F20020	BACK CASTER	PP JI-360	1	
4	4569C20041	FC. BRACKET	PP	1	
5	4568A54020	FRONT CASTER	PP	1	
6	7121301012	SCREW	T2S PAN 3X10 MFZN	1	BK
7	4560F20030	ADAPTER	ABS	1	
8	4560F20040	ADAPTER CAP	NR	1	
9	3622703802	HARNESS	CD TERMINAL+WIRE	1	
10	4560F25010	PB HOLDER	ABS	1	
11	4560F20080	PB HOLDER SPRING	HSW3	1	
12	4560F20090	INHALATION FILTER	NON-WOVEN FABRIC	1	

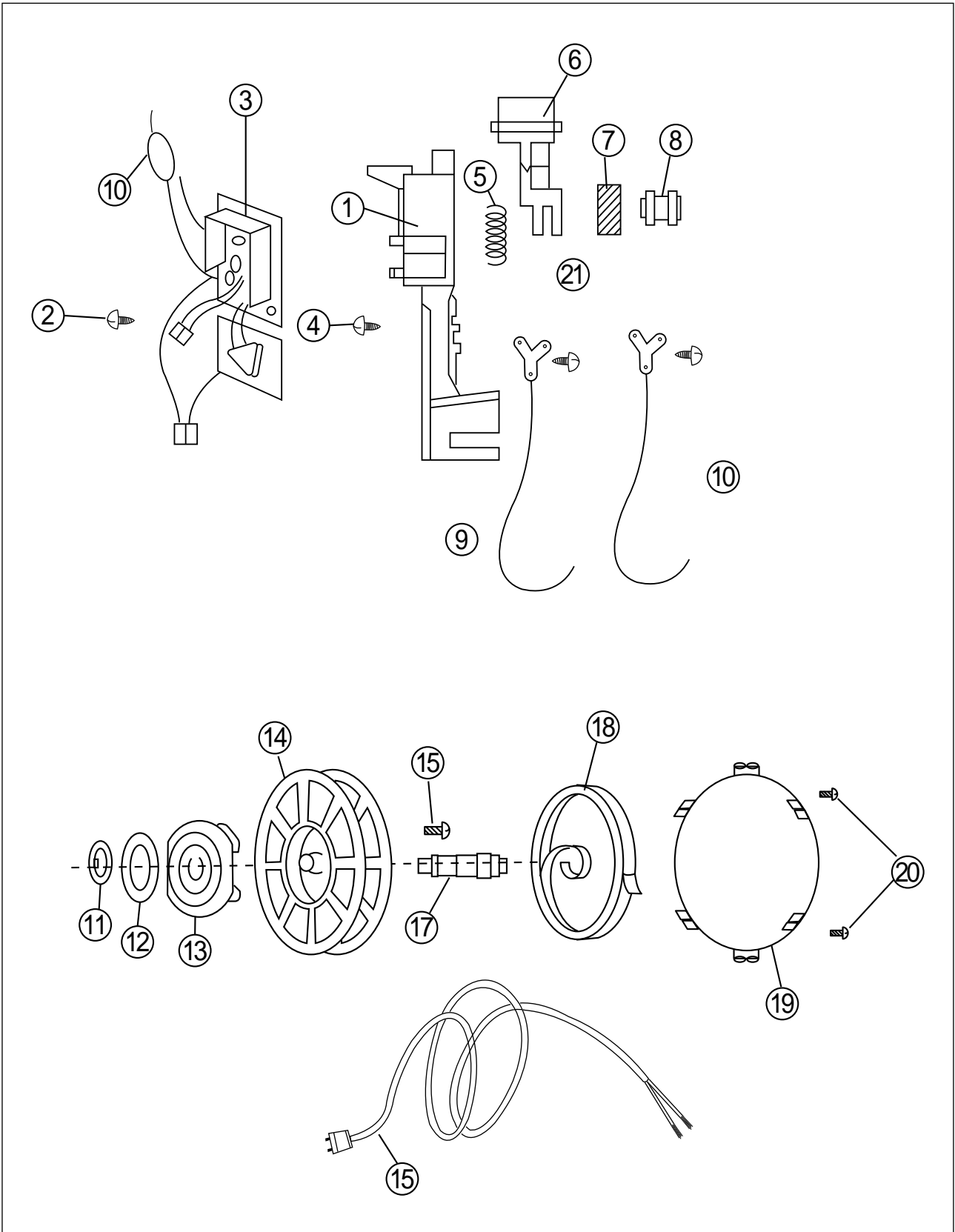
### 3) COVER ASSEMBLY



---

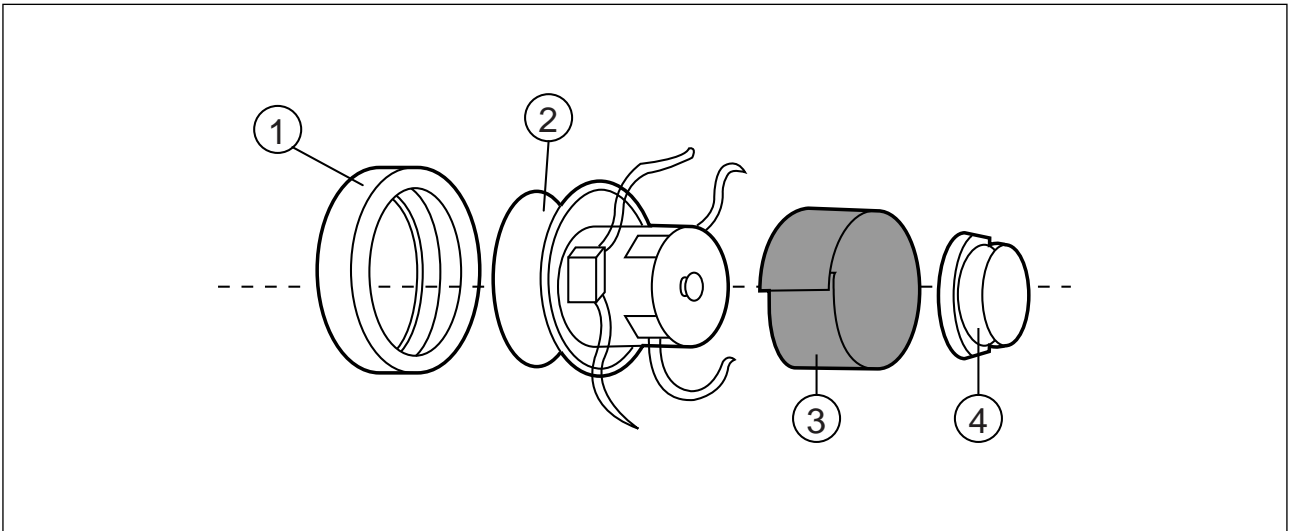
<b>NO</b>	<b>PART CODE</b>	<b>PART NAME</b>	<b>SPECS.</b>	<b>Q'TY</b>	<b>REMARK</b>
1	3621406400	COVER BODY	ABS	1	
2	3621901500	FILTER EXHAUST	NON WOVEN FABRIC	1	
3	3621406500	COVER NOZZLE	ABS	1	
4	3621406300	COVER DUST	ABS	1	
5	3622600300	HANDLE	ABS	1	

## 4) CORD REEL ASSEMBLY : 3629500950



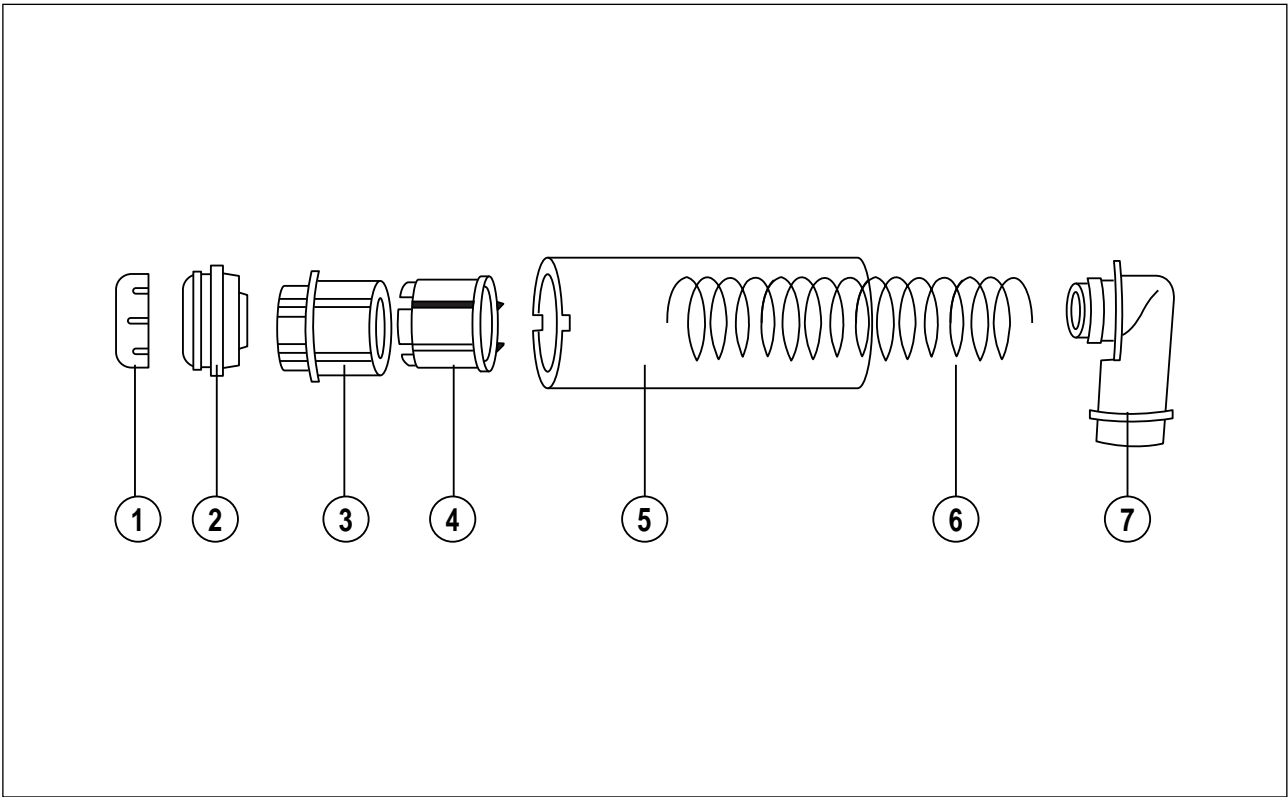
NO	PART CODE	PART NAME	SPECS.	Q'TY	REMARK
1	4560F35010	BRACKET	ABS	1	
2	7121401211	SCREW	T2S PAN 4X12 MFZN	1	
3	3624303700	PCB ASS'Y	110V / 60HZ	1	
	4569G27006		100~110V / 50, 60HZ		
	36243018001		220~240V / 50HZ		
	3624301101		220~240V / 60HZ		
4	7121401211	SCREW	T2S PAN 4X12 MFZN	2	
5	4560F35030	SPRING	HSW3	1	
6	3626601500	BUTTON	ABS	1	
7	4567C35080	STOPPER TIRE	NBR	1	
8	4565A35070	FRAME STOPPER	POLY ACETAL	1	
9	3622703200	HARNESS	Y TERMINAL+LEAD	1	
10	4560F42000	YA TERMINAL AS	Y TER.+LEAD+FUSE AS(250V 10A)	1	
11	4565A36024	OA TERMINAL	C2600P-1/2H TO.3	1	
12	4565A36034	OB TERMINAL	C2600P-1/2H TO.3	1	
13	4565A36010	TERMINAL SUPPORTER	ABS	1	
14	4569C35010	BOBBIN	ABS	1	
15	4560F38020	POWER CORD	AC 125V/12A T-MARK	1	JAPAN
	WKH14N7811		2X0.75		ISRAEL
	3621301000		250V 17A		KS
	4568F38022		250V 17A		CHILE
	4569A36010		250V 17A		SEMKO
16	7121401211	SCREW	T2S PAN 4X12 MFZN	1	
17	4569C35050	SHAFT	ABS	1	
18	3625102000	SPRING AS	SUS301-EH+COVER	1	ASSEMBLY
19	4565A35041	R/SPRING COVER	SPGC	0	
20	7121300811	SCREW	T2S PAN 3X8 MFZN	1	
21	3623701000	LEVER	ABS	1	

## 5) MOTOR ASSEMBLY



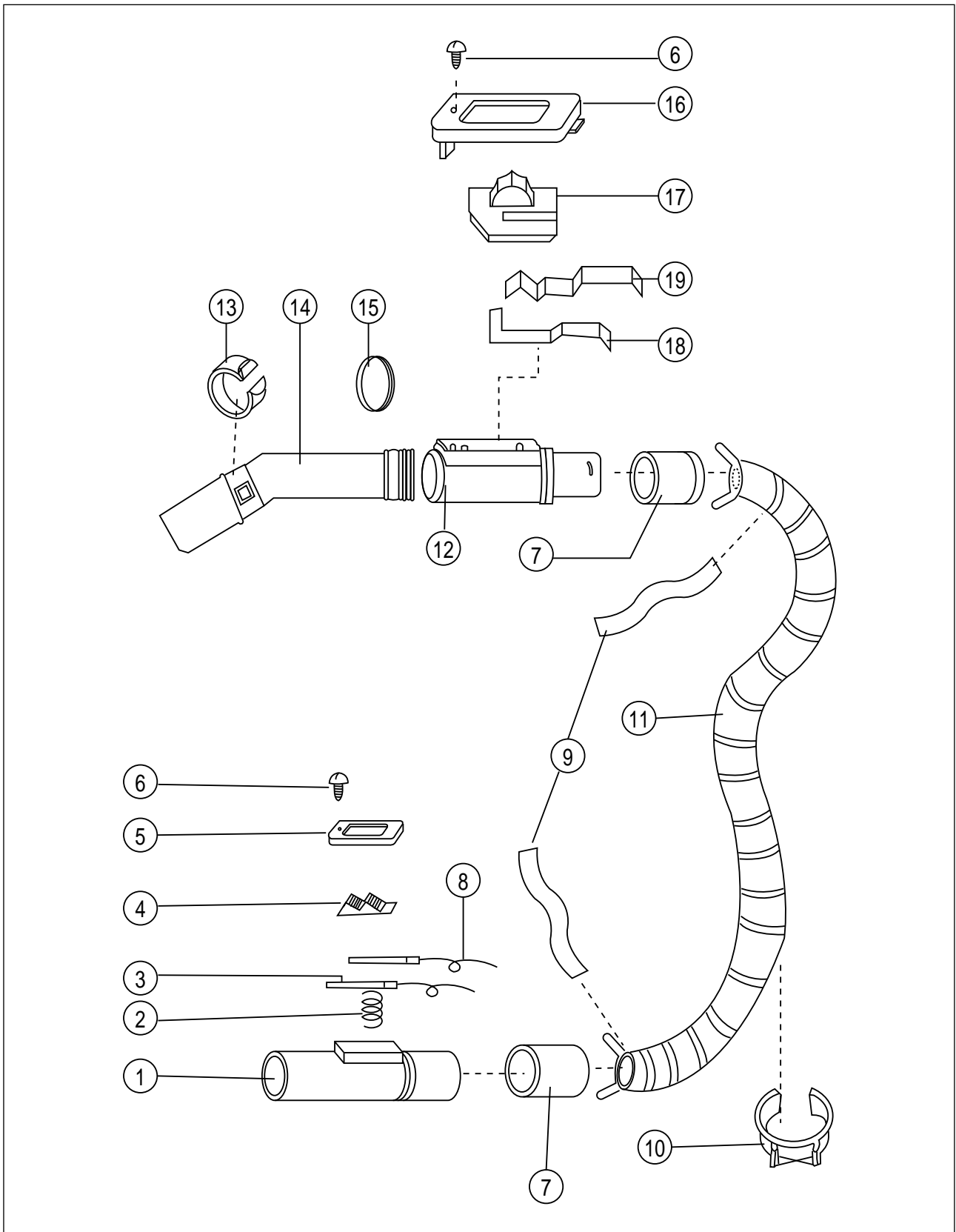
NO	PART CODE	PART NAME	SPECS.	Q'TY	REMARK
1	4568A20072	MOTOR FRONT CAP	NR FORM	1	OH SUNG CO.
	4560M20101		NR		DMI CO.
2	4568G80006	MOTOR UNIVERSAL	100V 670W	1	OH SUNG CO.
	3962130110		100V 670W		DMI
	3962230110		110V 670W		OH SUNG CO.
	3962130210		110V 670W		DMI
	4560G80021		220V 670W		OH SUNG CO.
	3962330350		220V 670W		DMI
	3962530100		230V 670W		OH SUNG CO.
	3962530200		230V 670W		DMI
	3962610500		240V 670W		DMI
	3962130200		100V, 1000W HARNESS OS		
	3962220200		110V, 1000W HARNESS OS		
	3962330300		220V, 1000W HARNESS OS		
	3962510200		230V, 1000W HARNESS OS		
	3962610200		240V, 1000W HARNESS OS		
	3962130301		100V, 1000W HARNESS DMI		
	3962220300		110V, 1000W HARNESS DMI		
	3962330530		220V, 1000W HARNESS DMI		
	3962510210		230V, 1000W HARNESS DMI		
	3962610300		240V, 1000W HARNESS DMI		
3	4568A20062	ABSORBER MOTOR	PU FOAM	1	
4	4560K20080	MOTOR BACK CAP	NR	1	O/S
	3620900605		NR		DMI

## 6) DUST METER ASSEMBLY



NO	PART CODE	PART NAME	SPECS.	Q'TY	REMARK
1	4560F23070	VALVE DM	LDPE	1	
2	4560F23040	PACKING DM	PVC	1	
3	4560F23030	DM-R	ABS	1	
4	4560F23060	DUST METER	ABS	1	
5	4560F23010	HOUSING DM	MS-2000	1	
6	4560F23020	SPRING	SUS 304	1	
7	4560F23050	ELBOW DM	PVC	1	

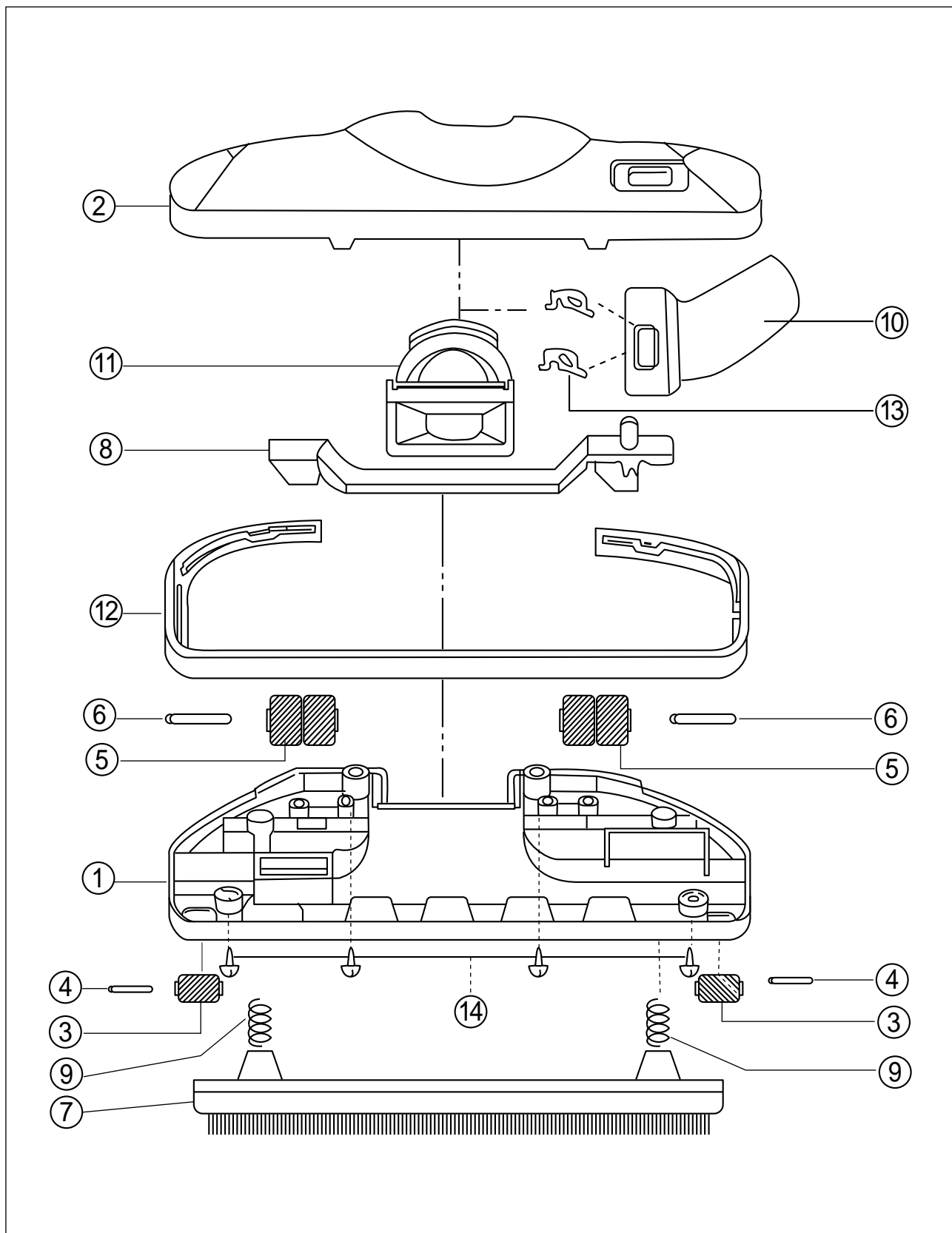
## 7) HOSE LINE ASSEMBLY





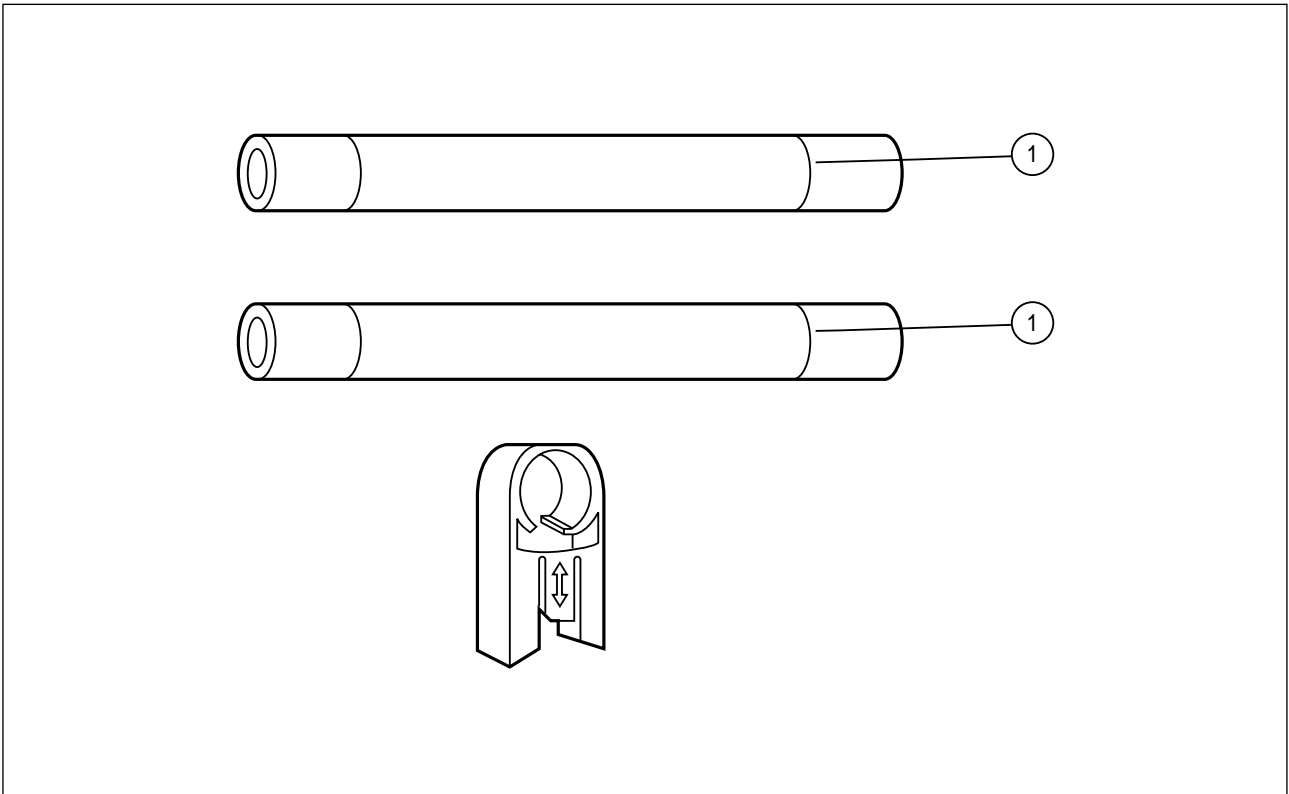
<b>NO</b>	<b>PART CODE</b>	<b>PART NAME</b>	<b>SPECS.</b>	<b>Q'TY</b>	<b>REMARK</b>
1	4565A70010	ADAPTER HOSE	ABS	1	
2	4565A70050	SPRING	HSW3	1	
3	4568A70020	PIN TERMINAL	C2800W-H	2	
4	4565A70060	BUTTON ADAPTER	ABS	1	
5	4565A70070	COVER	ABS	1	
6	7121300811	SCREW TAPPING	T2S PAN 3X8	2	
7	4565A70040	COVER HOSE	PP	2	
8	4565A70030	WIRE CONNECTION	HARNESS	0.15	
9	2TV00019BK	TAPE VINYL	UL/CSA W19MM BLACK	0.30	
10	4560F77000	HOOK	PP	1	
11	4565A710001	HOSE	PVC-S/SWRS 1.32M	1	
12	4560K70080	FRAME SWITCH	ABS	1	
13	4560F70150	RING AIR ADJUSTMENT	PP	1	
14	4560F70131	PIPE HOSE	PP	1	
15	3626900105	RING SEAL	ABR	1	
16	4565A70120	COVER SWITCH	ABS	1	
17	4565A70080	KNOB	NYLON 66	1	
18	4565A70093	TERMINAL	C5210P-EH TO.2	1	
19	4565A70102	TERMINAL	C5210P-EH TO.2	1	

## 8) BRUSH ASSEMBLY



<b>NO</b>	<b>PART CODE</b>	<b>PART NAME</b>	<b>SPECS.</b>	<b>Q'TY</b>	<b>REMARK</b>
1	4560F90010	BODY BRUSH	ABS	1	
2	4560F90080	COVER BRUSH	ABS	1	
3	4560F90020	ROLLER BRUSH	PP	2	
4	4560F90110	PIN ROLLER	SWRM	2	
5	4560F90090	ROLLER BRUSH	PP	2	
6	4560F90120	PIN ROLLER	SWRM	2	
7	4568B91001	HOLDER BRUSH AS	ASSY	1	
8	4560F90040	LEVER BRUSH	ABS	1	
9	4568B90050	SPRING	HSW3	2	
10	4560F90060	PIPE BRUSH	ABS	1	
11	4560F90070	NECK	ABS	1	
12	4560F90030	GASKET BRUSH	PVC-S	1	
13	323100100	HOOK	POLY AMIDES	2	
14	7121401411	SCREW TAPPING	T2S PAN 4X14	4	

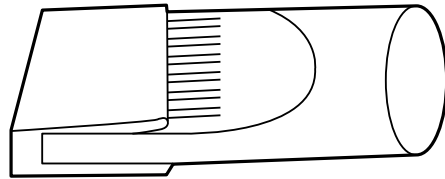
## 9) PIPE ASSEMBLY



NO	PART CODE	PART NAME	SPECS.	Q'TY	REMARK
1	4560F75030	PIPE	ABS	2	
2	4560F76000	HOLDER PIPE	ACETAL	1	

---

## 10) BRUSH MULTI ASSEMBLY



NO	PART CODE	PART NAME	SPECS.	Q'TY	REMARK
1	4560A67121	BRUSH MULTI AS	PP+NYLON	1	

S/M NO. : RC20900101

**DAEWOO**

**DAEWOO ELECTRONICS CO., LTD.**

686, AHYEON-DONG, MAPO-GU, SEOUL, KOREA

C.P.O. BOX 8003 SEOUL, KOREA

TELEX: DWELEC K28177-8

CABLE: "DAEWOOELEC"

FAX: 02) 360-8184

TEL: 02) 360-8182~3/8178~9

<http://www.dwe.daewoo.co.kr>

Printed Date : JUNE, 1997