

DAEWOO

Service Manual

Vacuum Cleaner

Model: RC-108



DAEWOO ELECTRONICS CO., LTD.

CONTENTS

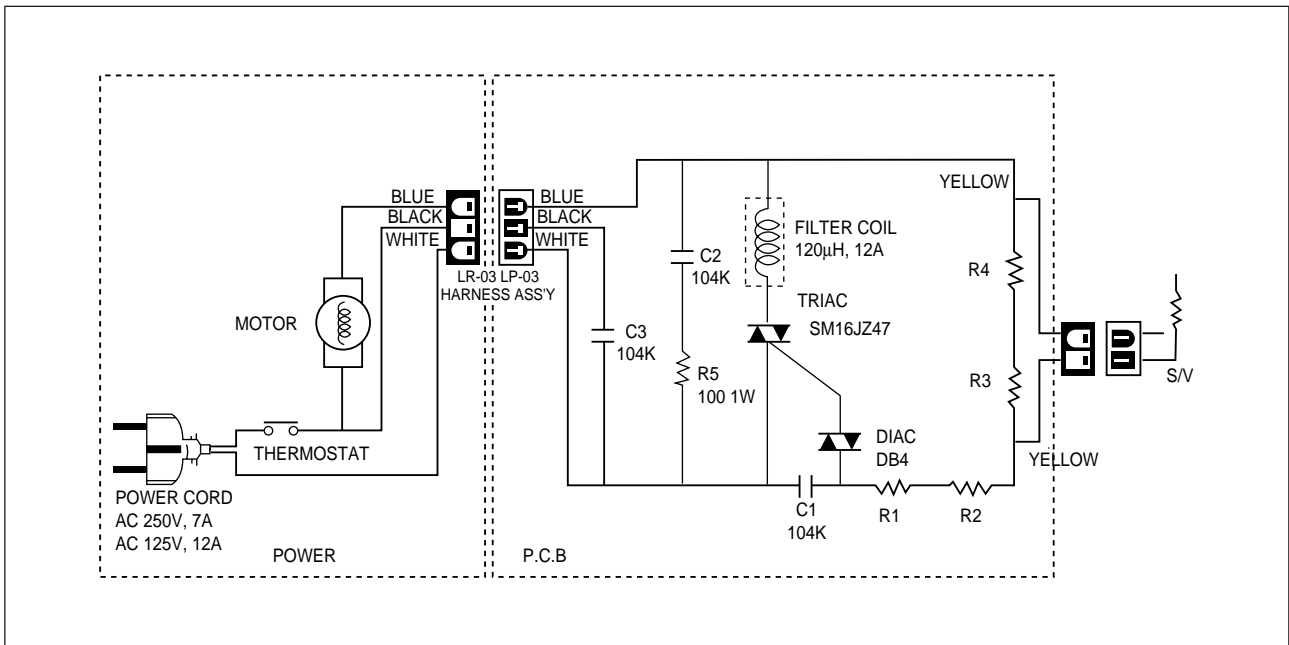
1. SPECIFICATIONS	1
2. CIRCUIT DIAGRAM	2
3. CAUSE OF TROUBLE AND COUNTERMEASURE	3
4. DESCRIPTION	4
• DISCRIPTION LIST	5
5. EXPLODED VIEW AND PARTS LIST	6
• BODY (DOWN) ASS'Y	6
• BODY (DOWN) PARTS LIST	7
• COVER ASS'Y	8
• COVER PARTS LIST	9
• HOSE LINE ASS'Y	10
• HOSE LINE PARTS LIST	11
• SUCTION BRUSH ASS'Y	12
• SUCTION BRUSH PARTS LIST	13
• BOX FILTER ASS'Y	14
• BOX FILTER PARTS LIST	14
• ACCESSORY NOZZLES	15
• ACCESSORY NOZZLES PARTS LIST	15

1. SPECIFICATIONS

RATED VOLTAGE AND RATED FREQUENCY	AC 220V / 50HZ
RATED INPUT	1200W
DIMENSION (W x L x H)	270x 482x 234 mm
NET WEIGHT	7.3KG
CORD LENGTH	5m/6m

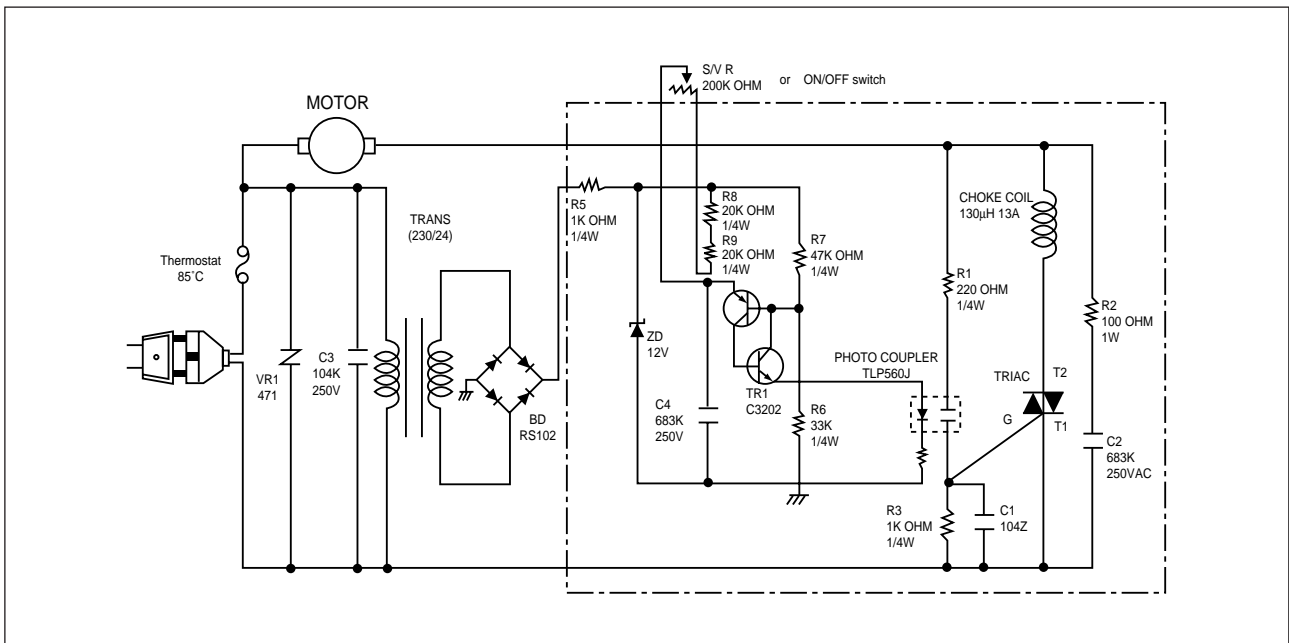
2. CIRCUIT DIAGRAM

-DIAC CONTROL



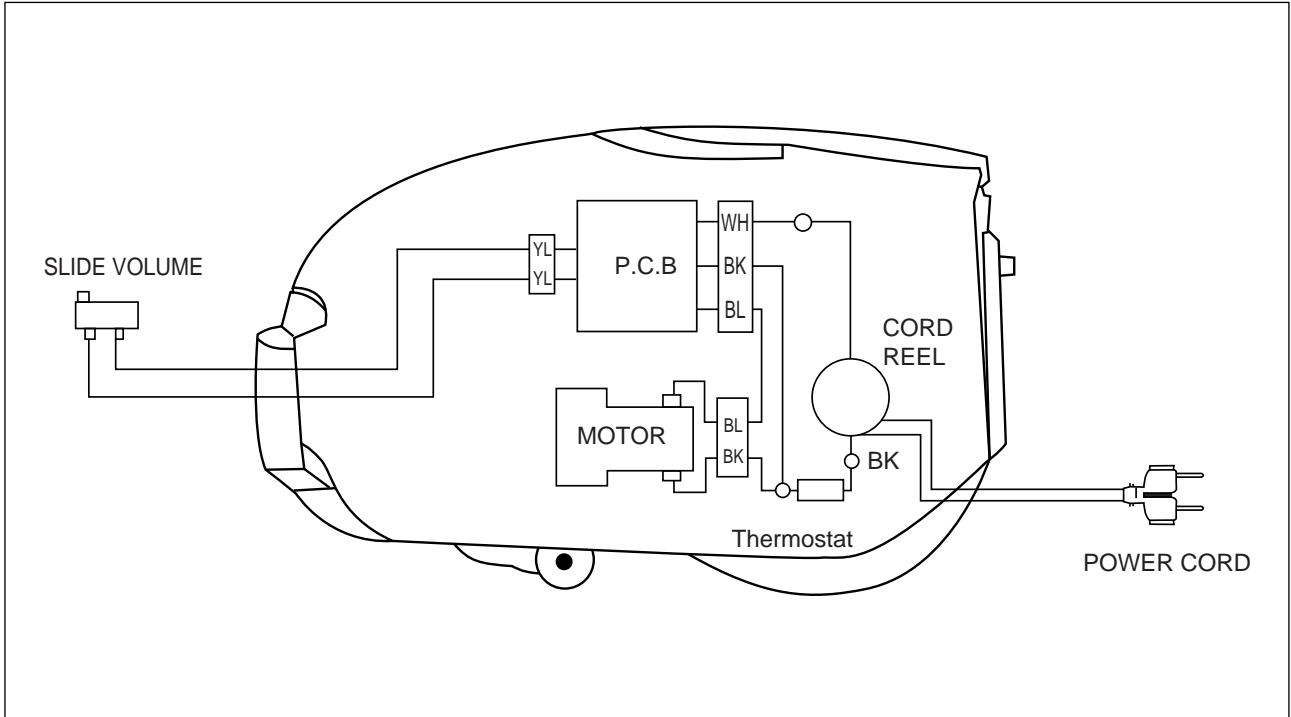
VOLTAGE	R1	R2	R3	R4	SLIDE VOLUME	THERMOSTAT
AC 110V/50, 60HZ	1KΩ 1/2W	1KΩ 1/2W	91KΩ 1/2W	91KΩ 1/2W	200KΩ	85°C
AC 220V/50HZ	10KΩ 1/2W	10KΩ 1/2W	180KΩ 1/2W	240KΩ 1/2W	500KΩ	85°C
AC 220V/60HZ	10KΩ 1/2W	10KΩ 1/2W	150KΩ 1/2W	160KΩ 1/2W	500KΩ	85°C

-DC CONTROL (230V/50HZ)

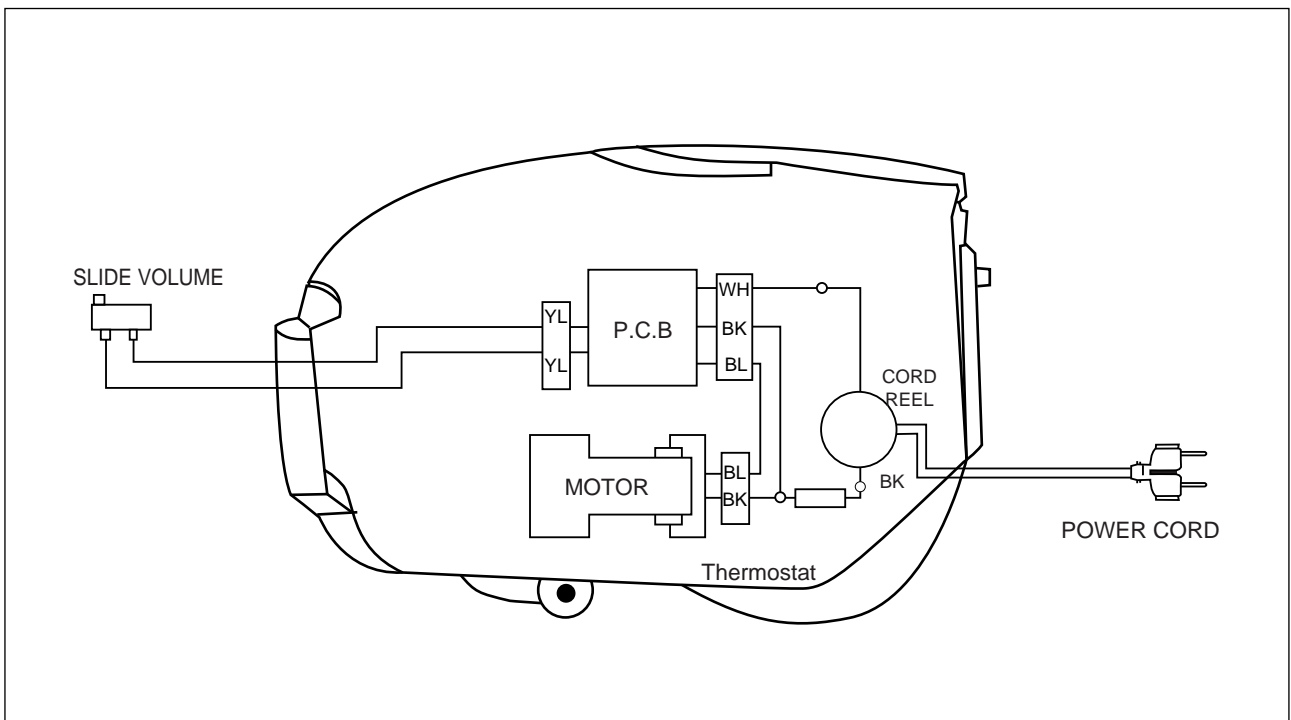


WIRING DIAGRAM

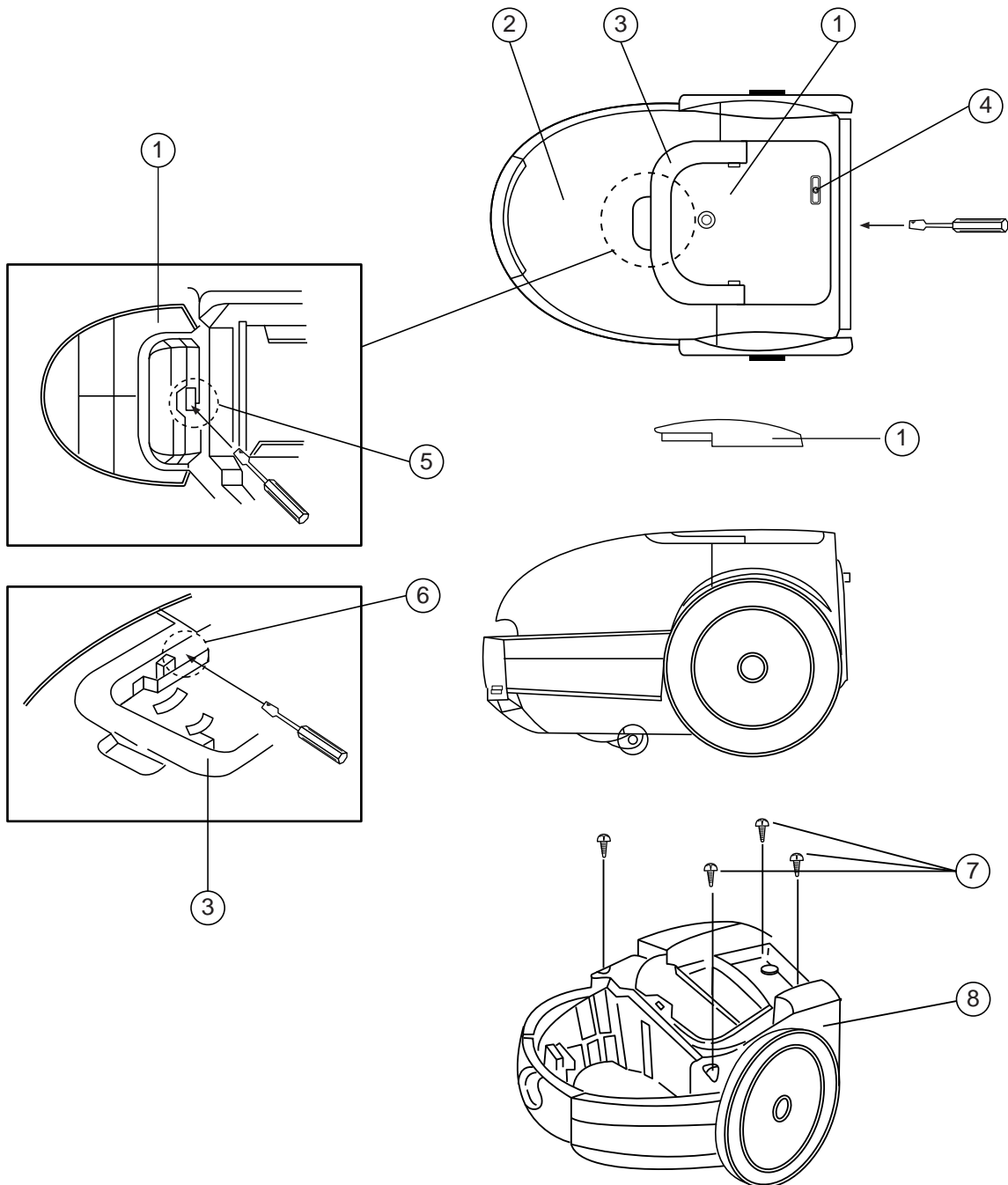
-DIAC CONTROL



-DC CONTROL



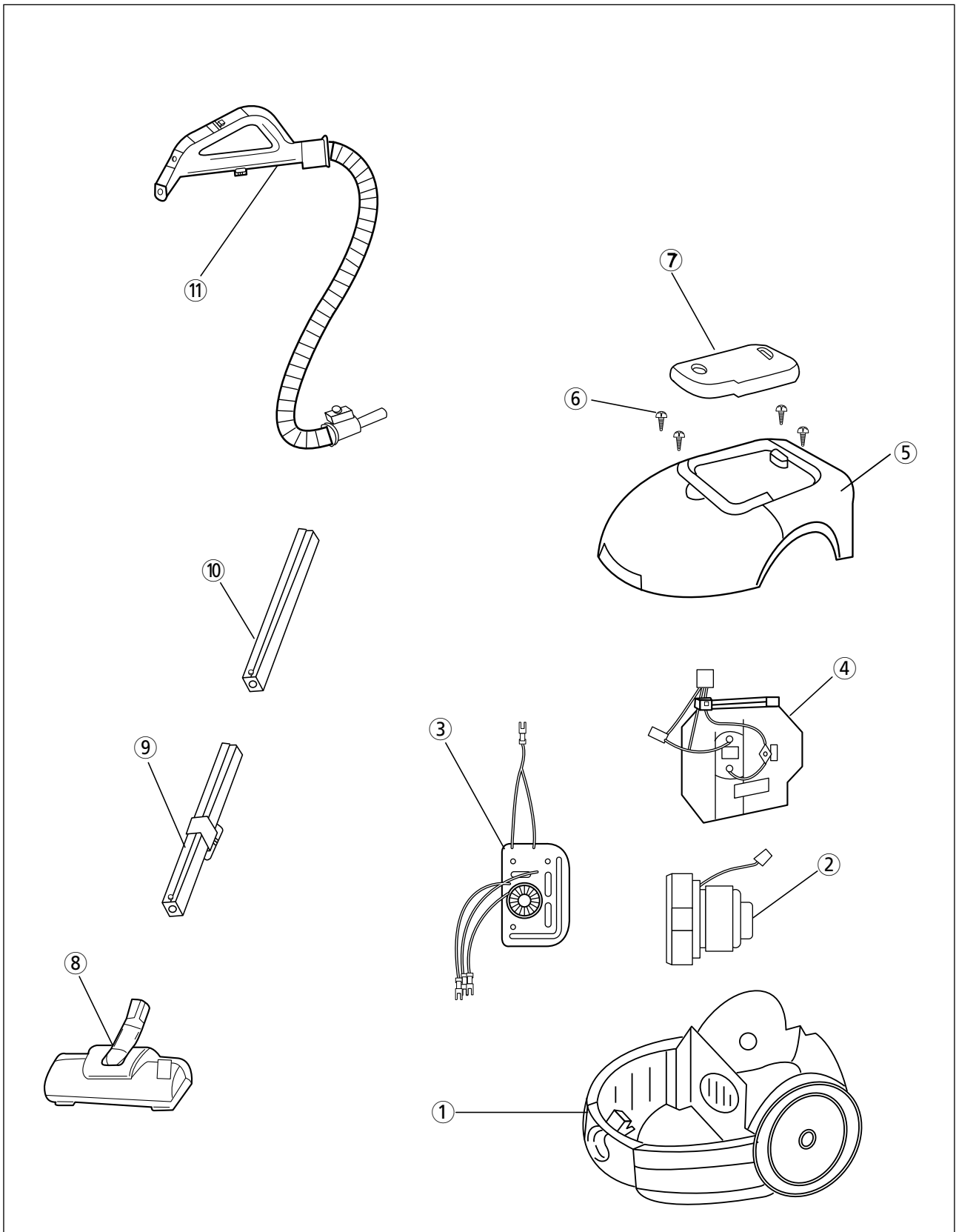
3. BODY DISASSEMBLY FLOW CHART



1. Open the cover (2) and push the snap fit (5) of the cover (1) as shown the above figure (5), remove the cover (1).
2. After removing the cover (1).
Remove the dust cover (2) and handle (3). As shown the above figure (6).
3. Push the snap fit of the button (4) by tape driver.
And remove the button (4).
4. After removing the screws (7), and remove the cover (8).

4. EXPLODED VIEW AND PARTS LIST

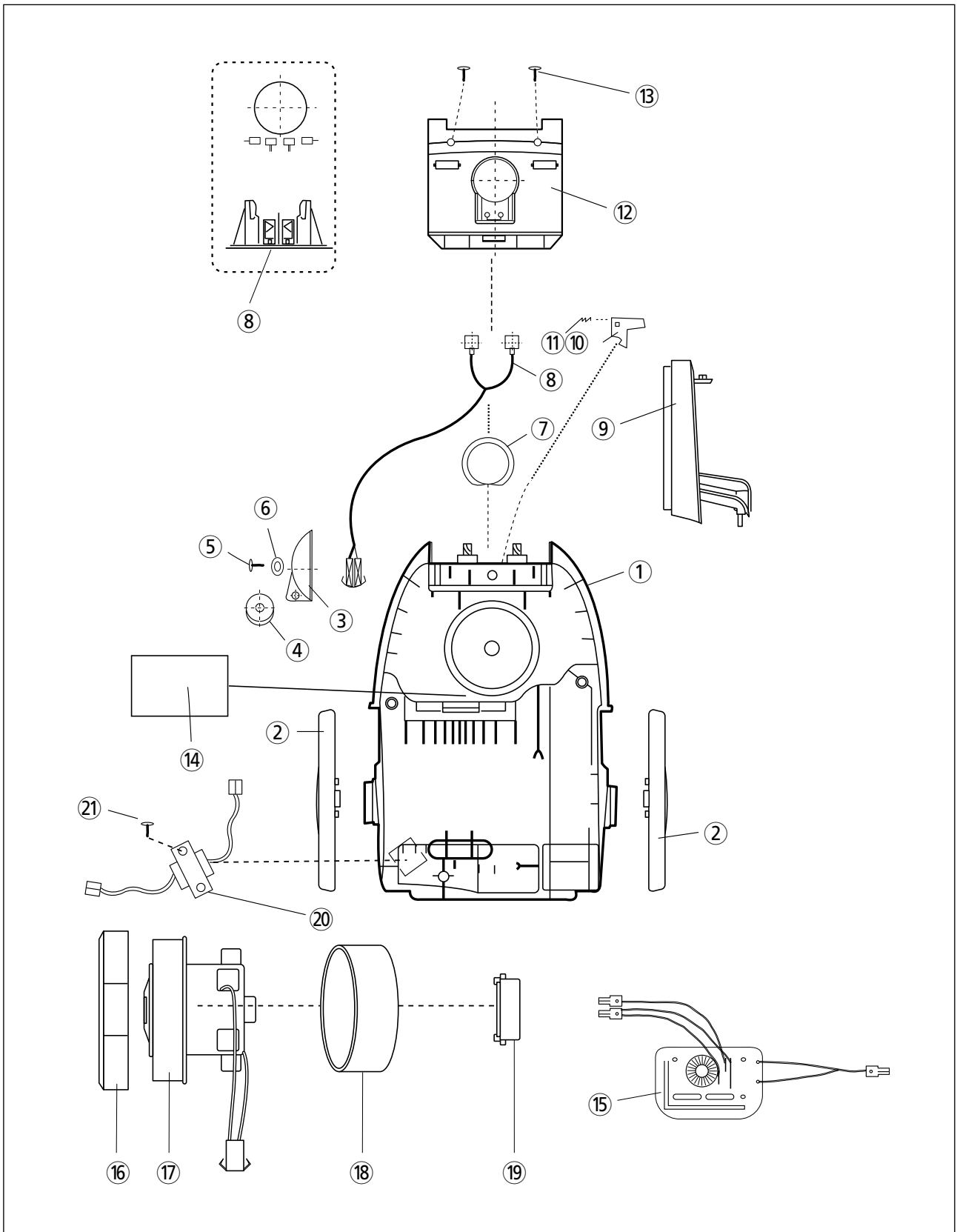
TOTAL BODY ASSEMBLY



NO	PART NAME	PART CODE	SPECS.	Q'TY	NOTE
1	BODY AS	3620402100	105H, R-00, PP ROLLER	1	
		3620401900	705H, R-00, PP ROLLER		
		3620402610	105H, R-01		2HOLE ADAPTER
		3620403100	705H, R-01		2HOLE ADAPTER
		3620403000	105H, R-01, 2ROLLER		2HOLE ADAPTER, FELT
		3620402800	705H, R-01, 2ROLLER		2HOLE ADAPTER
2	MOTOR UNIVERSAL AS		100V, 110V, 220V 230V, 240V/1000W	1	DMI, O/S
3	PCB AS	3624301700	ASSY	1	220V/60HZ S/V
		3624303010			100V S/V JAPAN
		3624302700			220V/50HZ S/V
		3624302710			230V/50~60HZ S/V
		3624304000			SEMKO DC CONTROL
		3624305100			100~240V ON/OFF
4	CORD REEL AS	3629502600	125V/12A, 5M, F12A	1	TAIWAN
		3629503500	250V/7A, 6.3M, F8A		KOREA
		3629503510	250V/7A, 5M, F8A		COMMON
		3629503600	125V/12A, 6M, F12A		JAPAN
		3629503610	125V/12A, 6M, F10A		JAPAN
		3629503620	125V/12A, 5M, F15A		JAPAN
5	COVER AS	3621409300	ASSY	1	COMMON
6	SCREW TAPPING	7121402011	T2S PAN 4X20 MFZN	4	
7	COVER DM	3621408300	ABS	1	
8	SUCTION BRUSH AS	3629302200	QUIET BRUSH	1	BUTTON
		4560G90001	NORMAL BRUSH		INSERT ABS
		3629301700	407 BRUSH		BUTTON
		3629301600	407 BRUSH		INSERT BLOWER
		3629302500	NORMAL BRUSH		PATENT JAPAN
		3629302300	QUIET BRUSH, R-01		BUTTON
		3629302400	QUIET BRUSH, R-01		INSERT BLOWER
		4560B90001	NORMAL BRUSH		BUTTON
3629502510	NORMAL BRUSH	INSERT BLOWER			

NO	PART NAME	PART CODE	SPECS.	Q'TY	NOTE
9	PIPE AS	3624403100	ABS INSERT (AS)	1	
		3624400710	ABS BUTTON (EA)		
		3624405300	ABS BUTTON (EA)		
		3624404600	BLOWER (AS)		
		3624405000	TELESCOPIC (AS)		
		3624404500	STEEL (EA)		
10	PIPE AS	3624400610	ABS BUTTON (EA)	1	
		3624404400	ABS BUTTON (EA)		
		3624403500	STEEL (EA)		
11	HOSE AS	3623201400	GRIP. 1.3M, 500K	1	
		3623201410	GRIP, 1.3M, 200K		
		3623201420	GRIP, 1.8M, 200K		
		3623202201	INSERT, 1.3M, 500K		
		3623201901	INSERT, 1.3M, 200K		
		3623202210	INSERT, 1.8M, 500K		
		3623201910	INSERT, 1.8M, BLOWER		200K
		3623201920	INSERT, 1.5M, BLOWER		200K
		3623203000	ON/OFF, 1.3M		
		3623203010	ON/OFF, 1.5M		
		3623203020	ON/OFF, 1.8M		
		3623203030	ON/OFF, 1.8M, BLOWER		
		3623203600	SWING, INSERT, 1.3M		500K
		3623203610	SWING, INSERT, 1.3M		200K
		3623203700	SWING, BUTTON, 1.3M		500K
		3623203710	SWING, BUTTON, 1.3M		200K
		3623203630	SWING, INSERT, 1.5M		500K
		3623203620	SWING, INSERT, 1.5M		200K
3623203650	SWING, INSERT, 1.8M	500K			
3623203640	SWING, INSERT, 1.8M	200K			

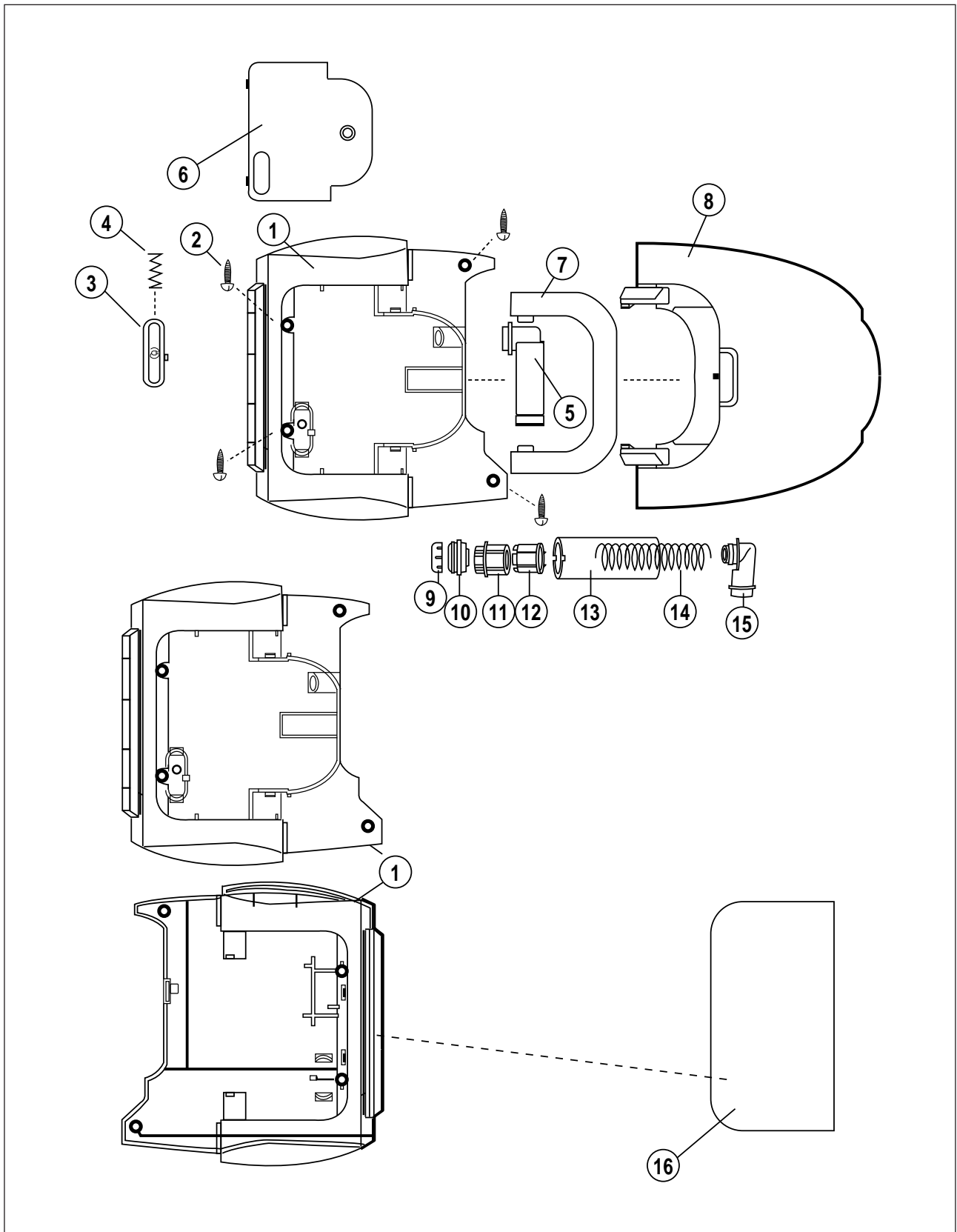
BODY (DOWN) ASSEMBLY



NO	PART NAME	PART CODE	SPECS.	Q'TY	NOTE
1	BODY AS	3620401400	ABS	1	RC-105
		3620402700			RC-107, 108
2	ROLLER	3624700800	PP	2	1 PIECE
		3624701500	COVER ROLLER & ROLLER		2 PIECE
3	BRACKET ROLLER	4569C20041	PC	1	
4	ROLLER	4568A54020	POM+PVC	1	
5	SCREW TAPPING	7121401211	T2S PAN 4X12 MFZN	1	
6	WASR SPERL	4509M12080	SCR1 1.6X6.4X12.5 MFZN	1	
7	PACKING	3624002000	CR	1	
		3624002200			
8	HARNESS	3622706500	TERMINAL+WIRE+HOUS	1	
9	PROTECTOR	3628300300	PVC-S	1	
10	HOLDER FILTER	3623002100	ABS	1	RC-105
		3623002000	ABS		RC-705
11	SPRING	3625102700	HSW3	1	
12	ADAPTER	3629100100	ABS	1	
13	SCREW TAPPING	7121401411	T2S PAN 4X14 MFZN	2	
14	FILTER	3621900600	POLYESTER	1	
15	PCB AS	3624301700	ASSY	1	220V/60HZ S/V
		3624303010			100V S/V JAPAN
		3624302700			220V/50HZ S/V
		3624302710			230V/50~60HZ S/V
		3624304000			SEMKO DC CONTROL
		3624305100			100~240V ON/OFF
16	CAP FRONT	3620901200	CR FOAM	1	
17	MOTOR UNIVERSAL	3962130200	100V, 1000W HARNESS OS	1	
		3962220200	110V, 1000W HARNESS OS		
		3962330300	220V, 1000W HARNESS OS		
		3962510200	230V, 1000W HARNESS OS		
		3962610200	240V, 1000W HARNESS OS		
		3962130301	100V, 1000W HARNESS DMI		
		3962220300	110V, 1000W HARNESS DMI		
		3962330530	220V, 1000W HARNESS DMI		

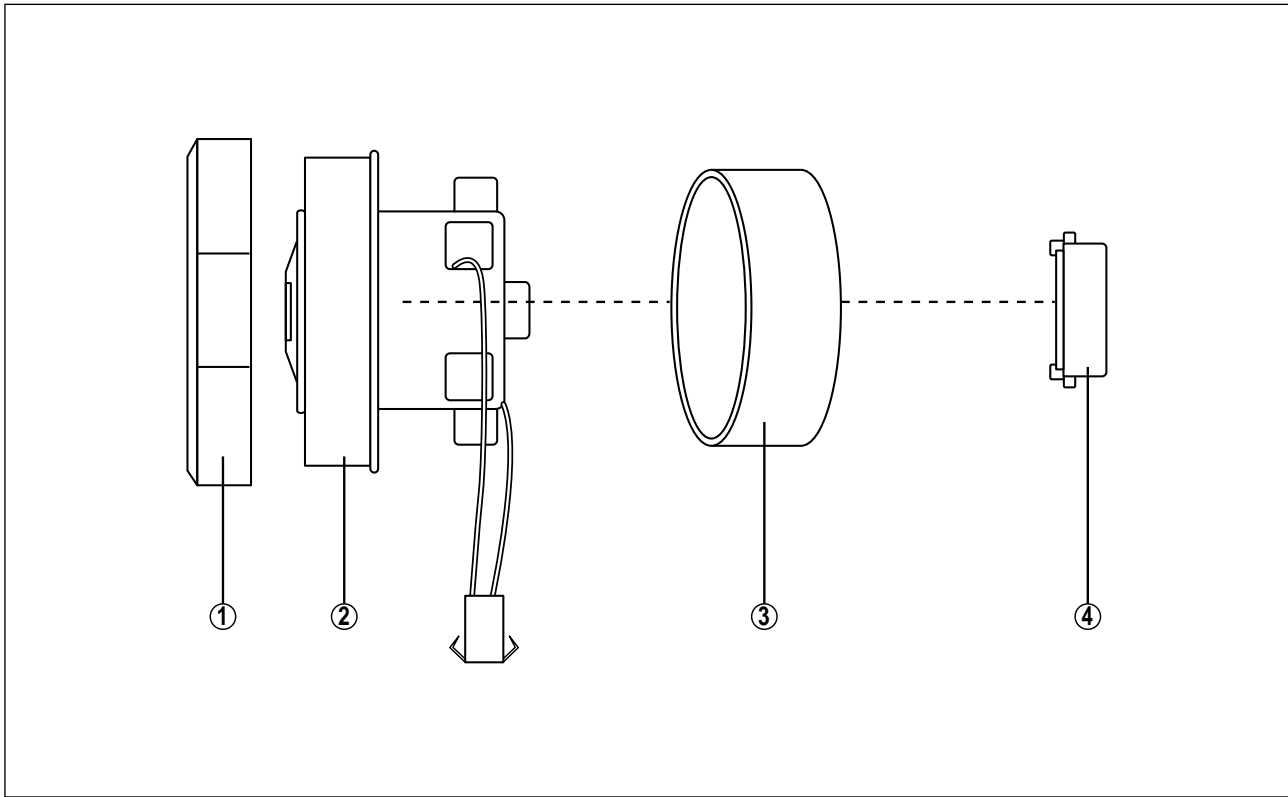
NO	PART NAME	PART CODE	SPECS.	Q'TY	NOTE
		3962510210	230V, 1000W HARNESS DMI		
		3962610300	240V, 1000W HARNESS DMI		
18	ABSORBER MOTOR	4569C10071	PU FOAM	1	
19	CAP	3620901300	NR BACK	1	O/S
		3620901600		1	DMI
		3620901800		1	LG
20	TRANS POWER	5EPU351450	230V 50HZ	1	SEMKO DC CONTROL
21	SCREW TAPPING	7121401411	T2S PAN 4X14 MFZN	1	SEMKO DC CONTROL

COVER ASSEMBLY



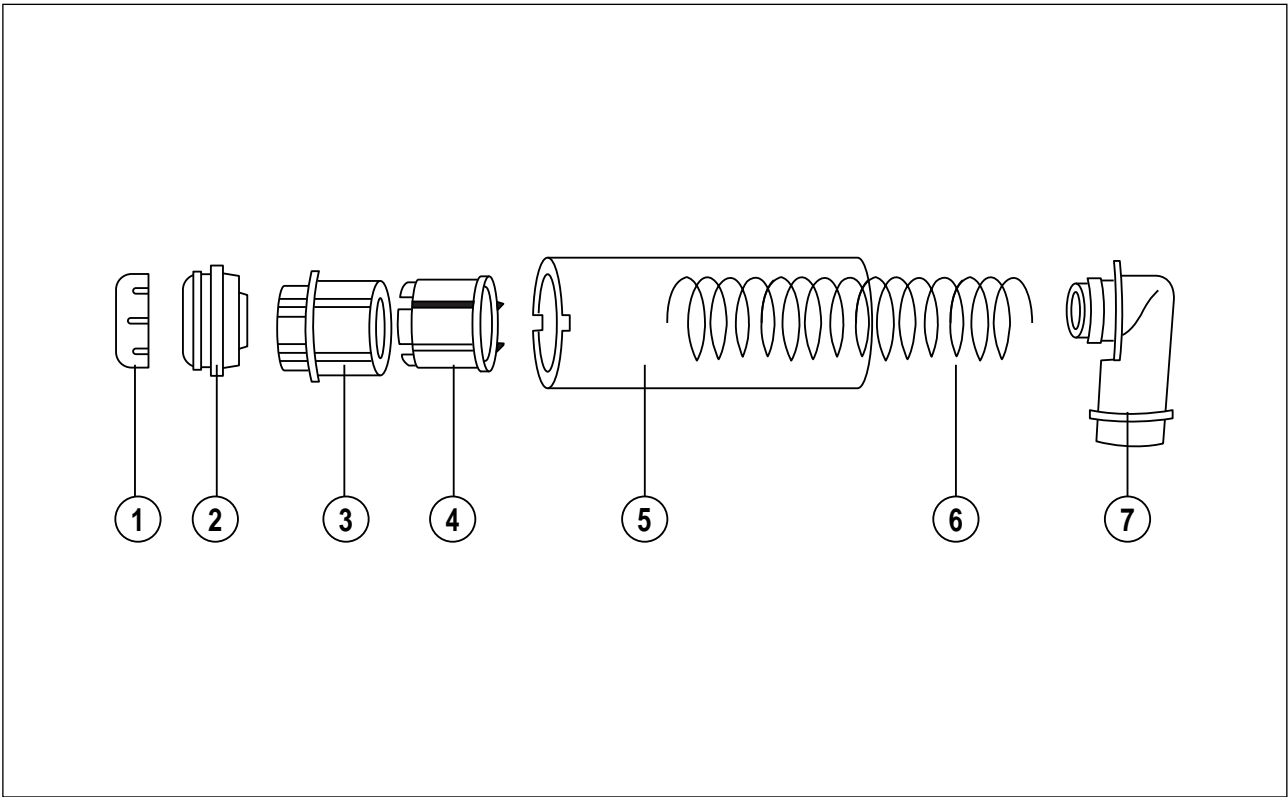
NO	PART NAME	PART CODE	SPECS.	Q'TY	NOTE
1	COVER BODY	3621408800	ABS BODY	1	
2	SCREW TAPPING	7121402011	T2S PAN 4X20 MFZN	4	
3	BUTTON CR	3626601700	ABS	1	
4	SPRING BUTTON	3625103500	HSW3	1	
5	DUST METER AS	3629700700	ASSY	1	
6	COVER	3621407700	ABS MIDDLE SILK	1	
7	HANDLE	3622600200	ABS	1	
8	COVER	3621404300	ABS DUST	1	
9	VALVE DM	3625400100	LDPE	1	
10	PACKING DM	3624000400	S-PVC	1	
11	DUST METER	4560F23030	ABS	1	
12	DUST METER	4560F23060	ABS	1	
13	HOUSING	4560F23010	SAN	1	
14	SPRING	3625100700	SUS	1	
15	ELBOW	3627100300	PVC DM	1	
16	FILTER	3621902300	NON-WOVEN EXH	1	

MOTOR ASSEMBLY



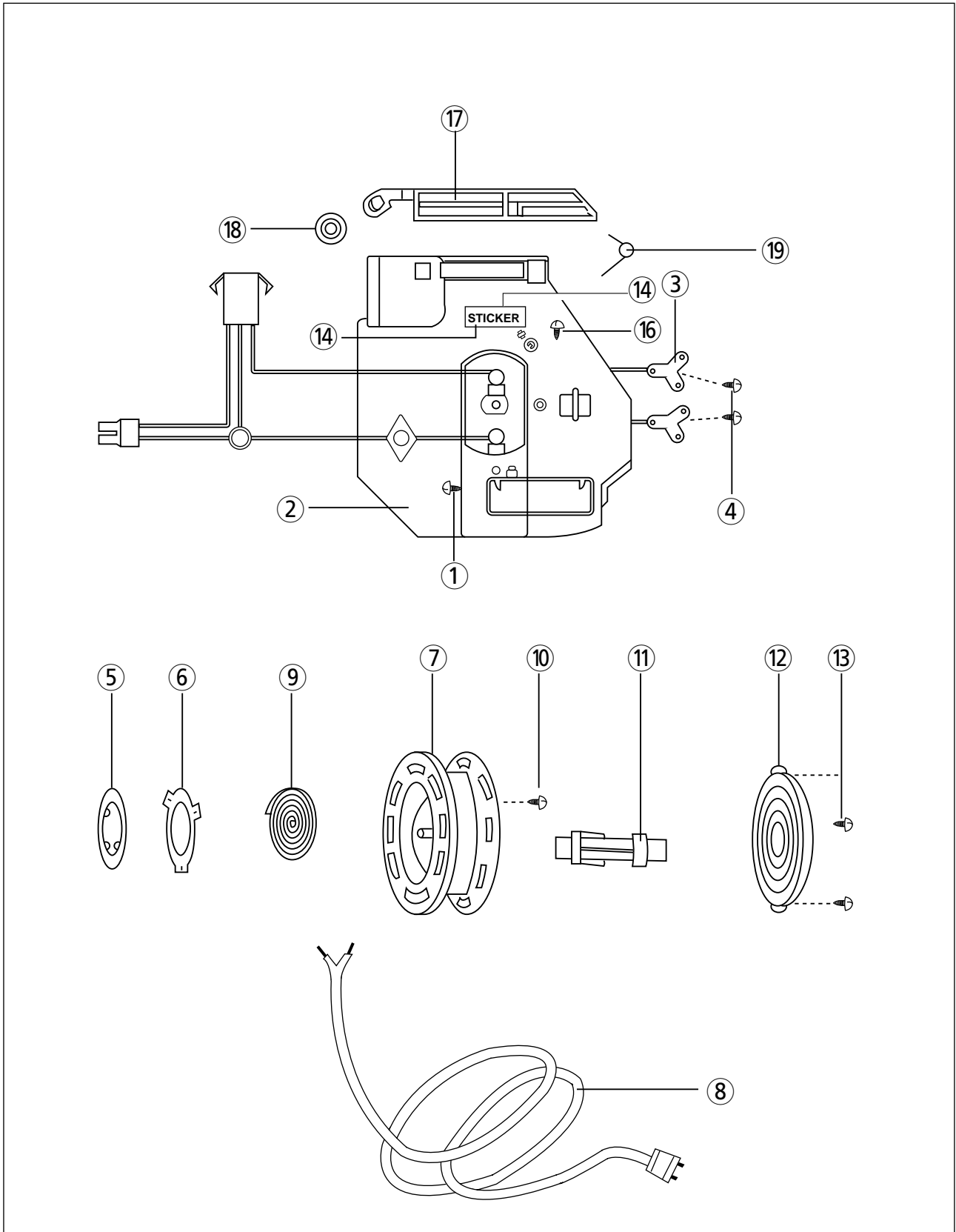
NO	PART NAME	PART CODE	SPECS.	Q'TY	NOTE
1	CAP FRONT	3620901200	CR FOAM	1	
2	MOTOR UNIVERSAL	3962130200	100V, 1000W HARNESS OS	1	
		3962220200	110V, 1000W HARNESS OS		
		3962330300	220V, 1000W HARNESS OS		
		3962510200	230V, 1000W HARNESS OS		
		3962610200	240V, 1000W HARNESS OS		
		3962130301	100V, 1000W HARNESS DMI		
		3962220300	110V, 1000W HARNESS DMI		
		3962330530	220V, 1000W HARNESS DMI		
		3962510210	230V, 1000W HARNESS DMI		
		3962610300	240V, 1000W HARNESS DMI		
3	ABSORBER MOTOR	4569C10071	PU FOAM	1	
4	CAP	3620901300	NR BACK	1	O/S
		3620901600		1	DMI
		3620901800		1	LG

DUST METER ASSEMBLY



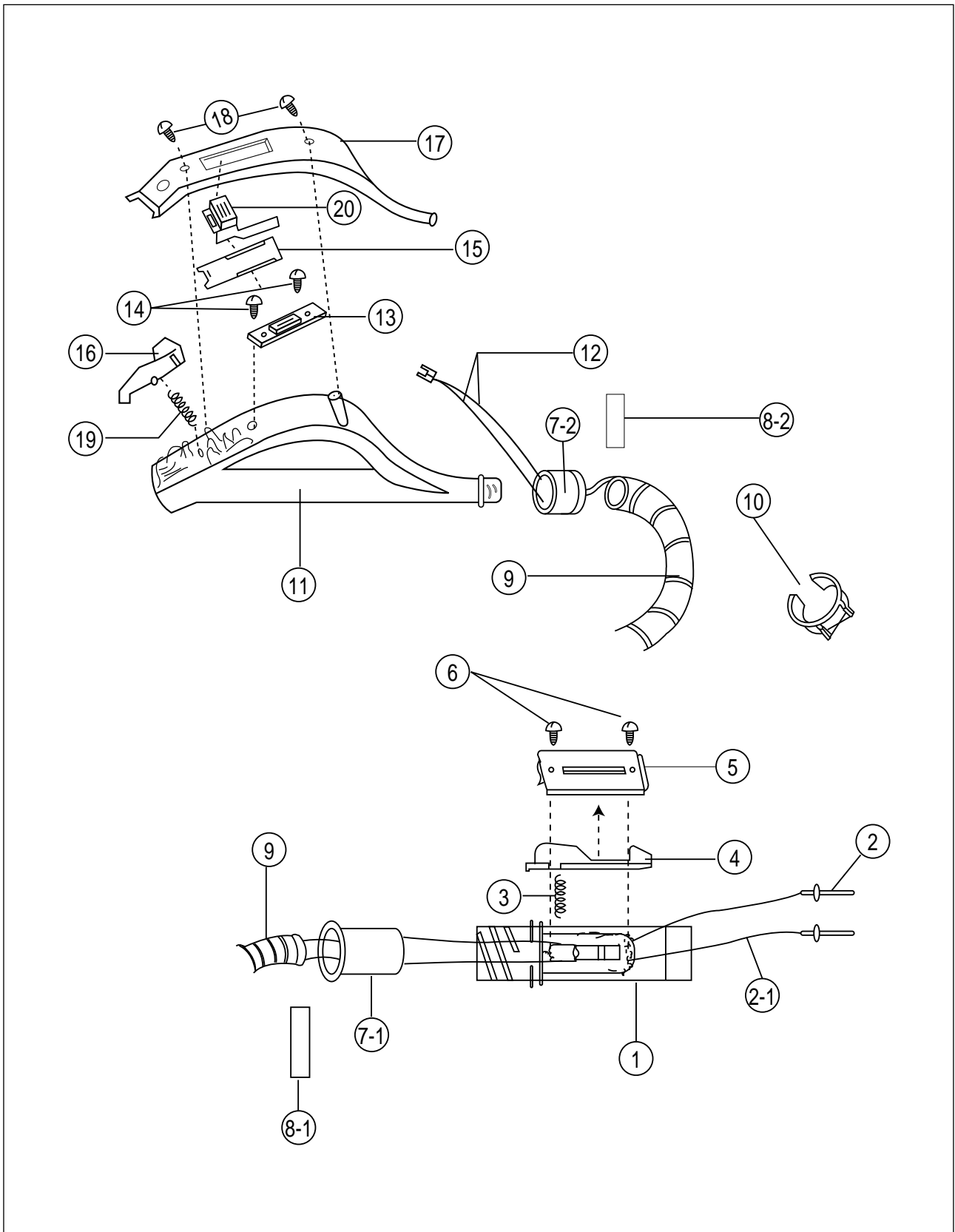
NO	PART NAME	PART CODE	SPECS.	Q'TY	NOTE
1	VALVE DM	3625400100	LDPE	1	
2	PACKING DM	3624000400	S-PVC	1	
3	DUST METER	4560F23030	ABS	1	
4	DUST METER	4560F23060	ABS	1	
5	HOUSING	4560F23010	SAN	1	
6	SPRING	3625100700	SUS	1	
7	ELBOW	3627100300	PVC DM	1	

CORD REEL ASSEMBLY



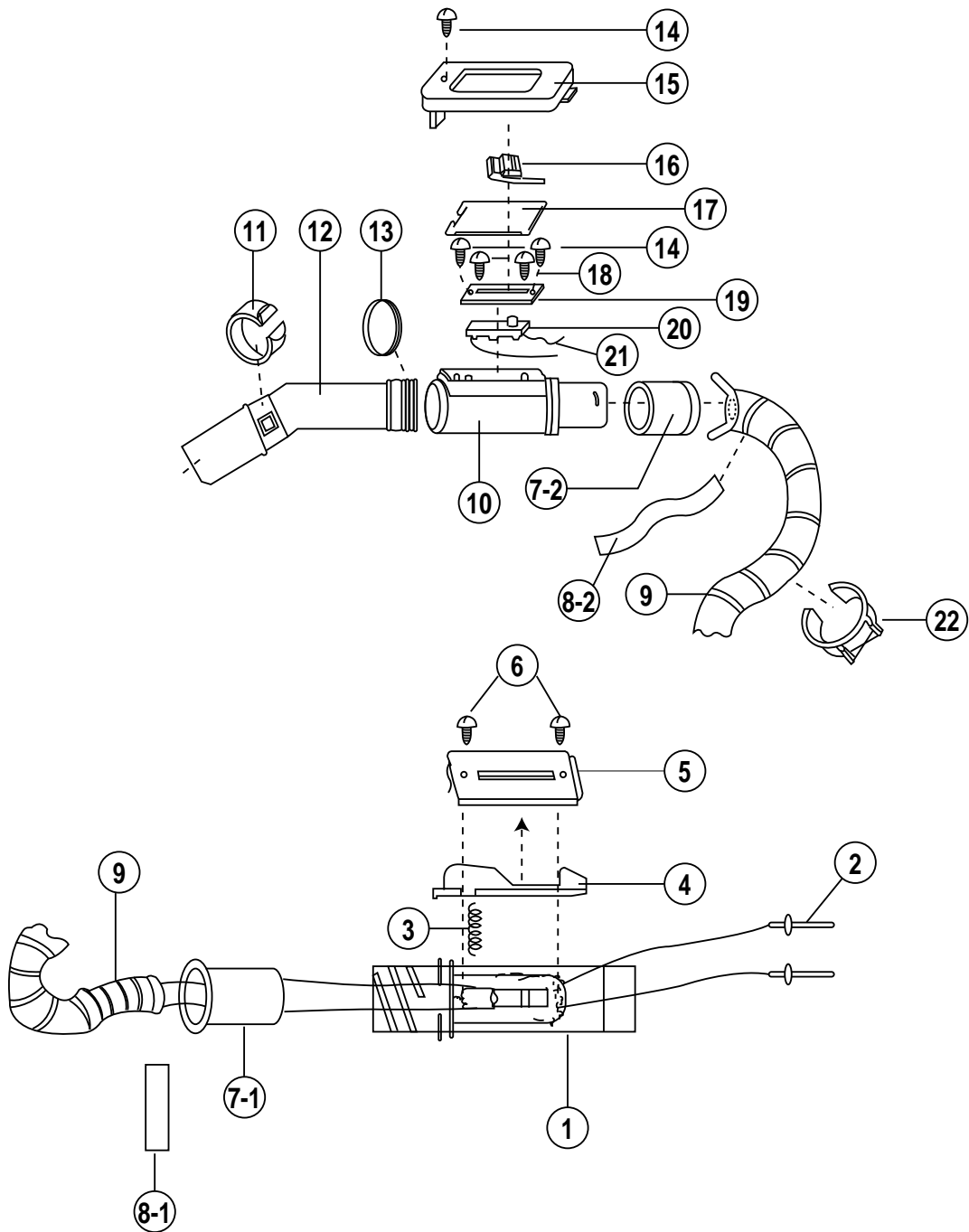
NO	PART NAME	PART CODE	SPECS.	Q'TY	NOTE
1	SCREW TAPPING	7121401411	T2S PAN 4X14 MFZN	1	
2	BRACKET CR	3620600700	ABS	1	
3	HARNESS	3622707700	HO+Y-TER+FUSE(T15A)+T85	1	JAPAN
		3622706620	HO+Y-TER+T85		220V
		3622707000	HO+Y-TER+FUSE(T12A)+T85		110V
		3622706610	HO+Y-TER+T85		SEMKO
		3622707010	HO+Y-TER+FUSE(T10A)+T85		JAPAN
		3622707020	HO+Y-TER+FUSE(T10A)		
4	SCREW TAPPING	7121400611	T2S PAN 4X6 MFZN	2	
5	TERMINAL	4565A36024	C2600-1/2H TO.3	1	
6	TERMINAL	4565A36034	C2600-1/2H TO.3	1	
7	BOBBIN	4569C35011	ABS	1	
8	POWER CORD	4560F38020	125/12A JAPAN	1	JAPAN
		WKH14N7811	K H05VV 2X0.75, 5.4M		ISREAL
		3621300600	250V/7A, 6.3M		
		4565A38010	250V/7A, 5M		
		4568F38022	250V/7A, 5M, 4PIN		CHILE
		4569A36010	300VAC 15A CLASS-2		SEMKO
		3621300900	125V/12A, 6M, JAPAN		JAPAN
9	HOLDER TERMINAL	4565A36010	ABS	1	
10	SCREW TAPPING	7121401211	T2S PAN 4X12 MFZN	1	
11	SHAFT CR	4569C35050	ABS	1	
12	SPRING AS	3625102000	SUS-301-EH+COVER	1	
13	SCREW TAPPING	7121300811	T2S PAN 3X8 MFZN	1	
14	LABEL	3623507600	STICKER	1	JAPAN
15	WAX VASELINE	2291140301	VASELINE	0.002	
16	SCREW TAPPING	7121300811	T2S PAN 3X8 MFZN	1	
17	LEVER CR	3623701100	ABS	1	
18	STOPPER AS	3625200200	ASS'Y	1	
19	SPRING	3625103200	HSW3	1	

HOSE LINE ASSEMBLY (I)



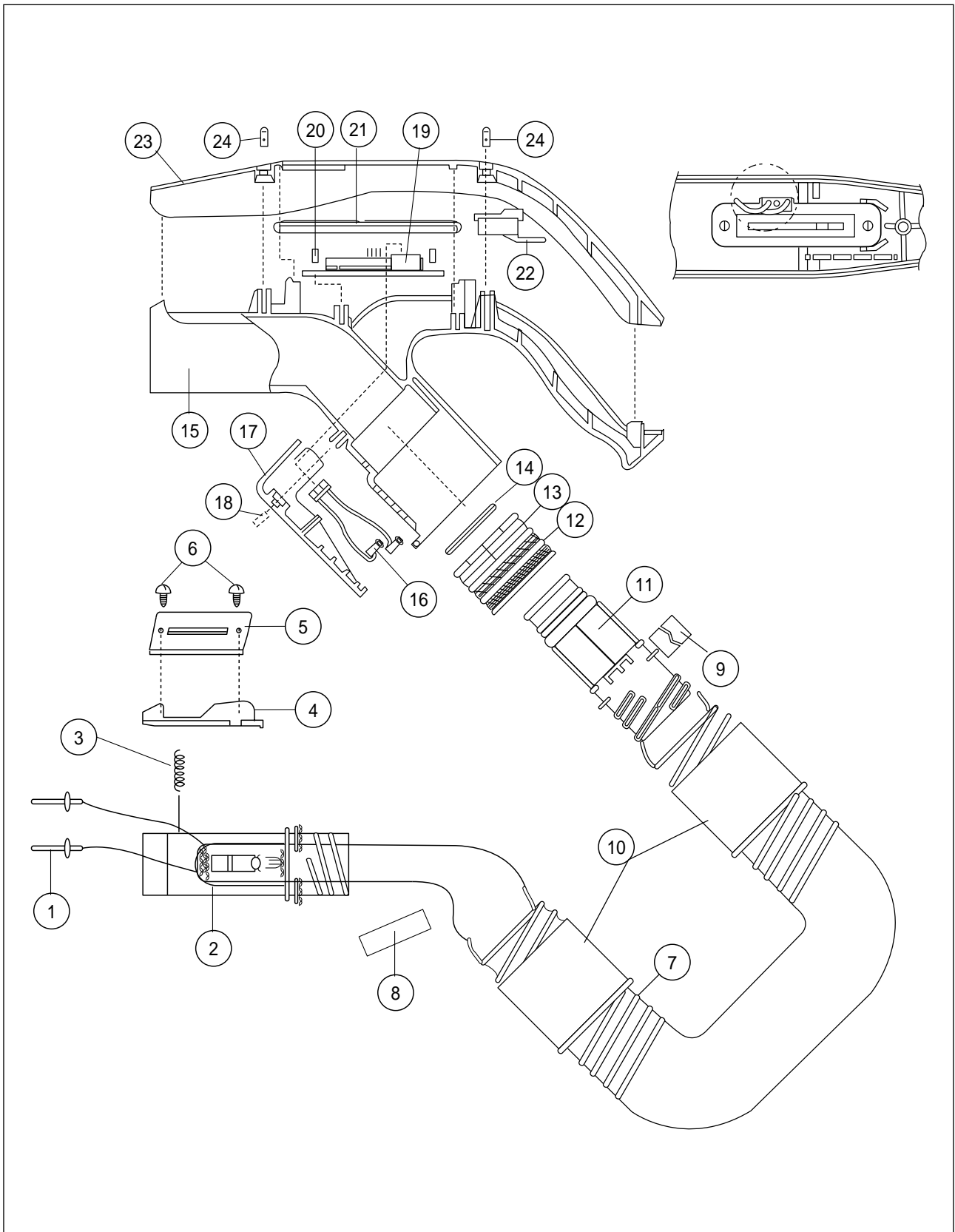
NO	PART NAME	PART CODE	SPECS.	Q'TY	NOTE
1	PIPE	3624402900	ABS	1	
2	TERMINAL AS	3628705700	TERMINAL +WIRE	2	
3	SPRING	3625101700	HSW3	1	
4	BUTTON	3626601000	ABS	1	
5	COVER	3621404600	ABS	1	
6	SCREW TAPPING	7121300812	T2S PAN 3X8 MFZN BK	2	
7	COVER HOSE	4565A70040	PP	2	
8	TAPE VINYL	2TU00019BK	19MM BLACK	0.3	
9	HOSE	4565A71001	PVC+SWRS 1.32M	1	
10	HOSE HOOK	4565F77000	PP	1	
11	PIPE	3624400400	ABS	1	
12	WIRE LEAD	8YS20018YW	WIRE+TERMINAL	2	
13	PCB S/V AS	3624304800	500K	1	
		3624303900	200K		
14	SCREW TAPPING	7121300811	T2S PAN 3X8 MFZN	2	
15	PLATE	3624500200	ABS	1	
16	KNOB	3623400100	PC	1	
17	COVER PIPE	3621401300	ABS	1	
18	SCREW TAPPING	7121301212	T2S PAN 3X12 MFZN, BK	2	
19	SPRING	3625100500	HSW3	1	
20	BUTTON PIPE	3626600200	ACETAL	1	

HOSE LINE ASSEMBLY (II)



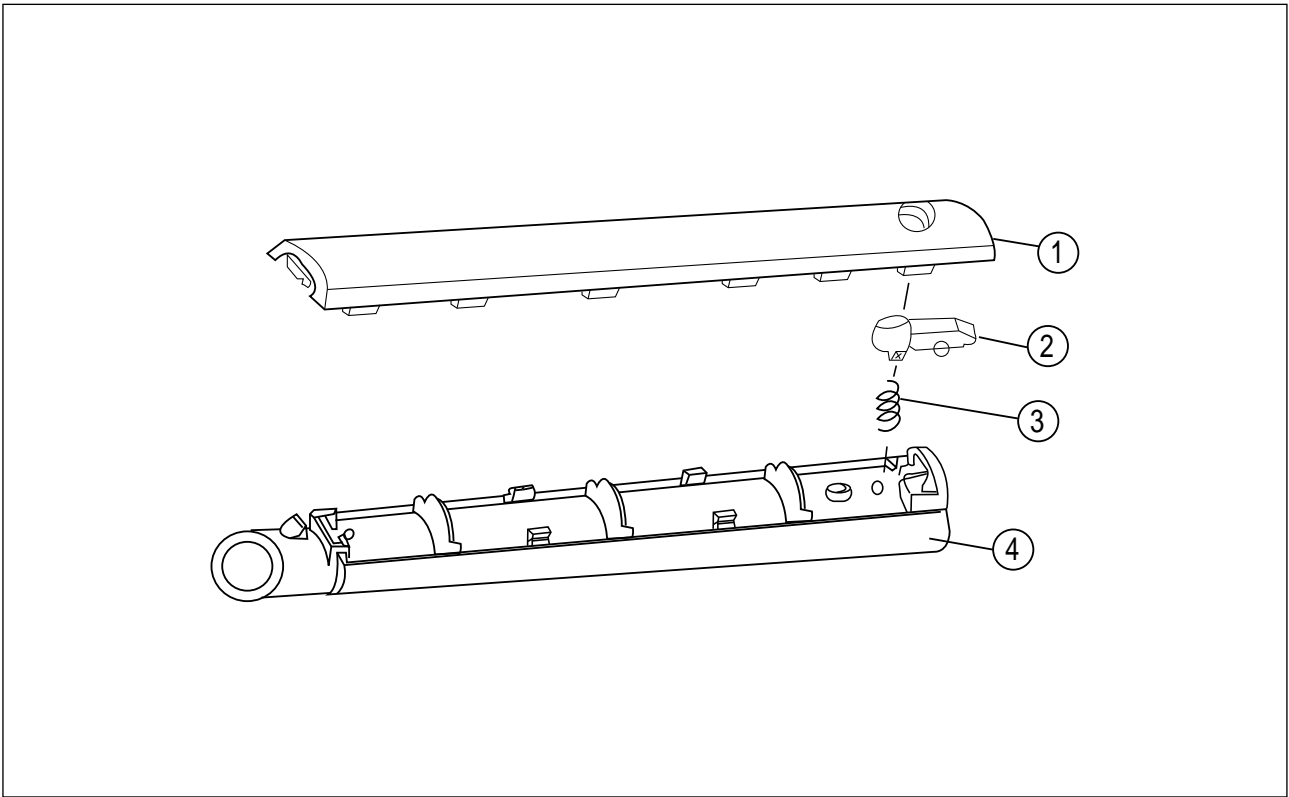
NO	PART NAME	PART CODE	SPECS.	Q'TY	NOTE
1	PIPE	3624402900	ABS	1	
2	TERMINAL AS	3628705700	TERMINAL +WIRE	2	
3	SPRING	3625101700	HSW3	1	
4	BUTTON	3626601000	ABS	1	
5	COVER	3621404600	ABS	1	
6	SCREW TAPPING	7121300812	T2S PAN 3X8 MFZN BK	2	
7	COVER HOSE	4565A70040	PP	2	
8	TAPE VINYL	2TU00019BK	19MM BLACK	0.3	
9	HOSE	4565A71001	PVC+SWRS 1.32M	1	
10	FRAME	4560K70080	ABS	1	
11	RING AIR AJUSTMENT	4560F70150	PP	1	
12	PIPE HOSE	4560F70130	PP	1	
13	DAMPER	3626900100	CR	1	
14	SCREW TAPPING	7121300812	T2S PAN 3X8 MFZN BK	3	
15	COVER	4560K70120	ABS	1	
16	KNOB SLIDE	4560K70150	PC	2	
17	PLATE	4560K70090	ABS	1	
18	SCREW TAPPING	7001200310	PAN M 2X3	2	
19	PLATE VLOUME	4569G25050	SPG	1	
20	VOLUME SLIDE	5V2504005B	500K	1	220V, 230V, 240V
		5V2204003B	200K		100V, 110V
21	WIRE	8YS12018YW	VSF 12/0.18	1	
22	HOOK HOSE	4565F77000	PP	1	

HOSE LINE ASSEMBLY (III)



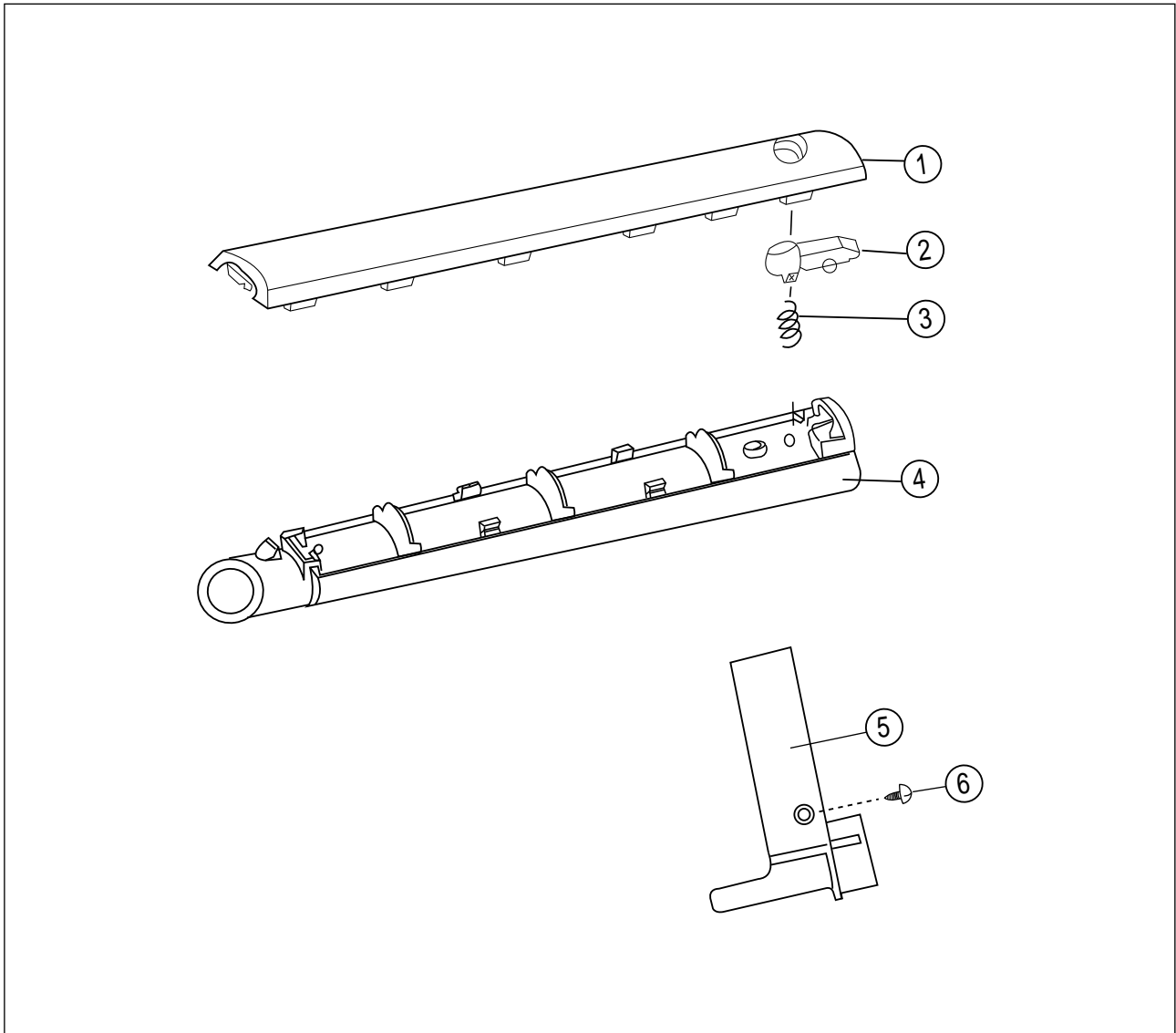
NO	PART NAME	PART CODE	SPECS.	Q'TY	NOTE
1	PIPE	3624402900	ABS	1	
2	TERMINAL AS	3628705700	TERMINAL +WIRE	2	
3	SPRING	3625101700	HSW3	1	
4	BUTTON	3626601000	ABS	1	
5	COVER	3621404600	ABS	1	
6	SCREW TAPPING	7121300812	T2S PAN 3X8 MFZN BK	2	
7	HOSE	3623202900	PVC-S/SWRS	1	1.3M
		3623202920			1.5M
		3623202930			1.8M
8	TAPE VINYL	2TU00019BK	19MM BLACK	0.5	
9	COVER HOSE	4565A70040	PP	2	
10	ADAPTER PIPE	3629100400	ABS	1	
11	FRAME TERMINAL	3622200700	FRAME+TERMINAL AS	1	
12	FRAME TERMINAL	3622200600	ABS	1	
13	PACKING PIPE	3624002400	NBR	1	
14	WAX SILICON	2291140301	TSC987 1CAN-200g	0.001	
15	PIPE HOSE	3624403800	ABS	1	
16	TERMINAL AS	3628704600	TERMINAL+WIRE+RECEP	2	
17	COVER TERMINAL	3621409000	ABS	1	
18	SCREW TAPPING	7121301011	T2S PAN 3X10 MFZN	1	
19	PCB S/V AS	3624303900	200K	1	
		3624304800	500K		
20	SCREW TAPPING	7121300800	T2S PAN 3X8	2	
21	PLATE	3624500200	ABS	1	
22	KNOB	3623400100	PC	1	
23	COVER PIPE	3621409700	ABS	2	
24	SCREW TAPPING	7121301211	T2S PAN 3X12 MFZN	1	

PIPE ASSEMBLY (I-1)



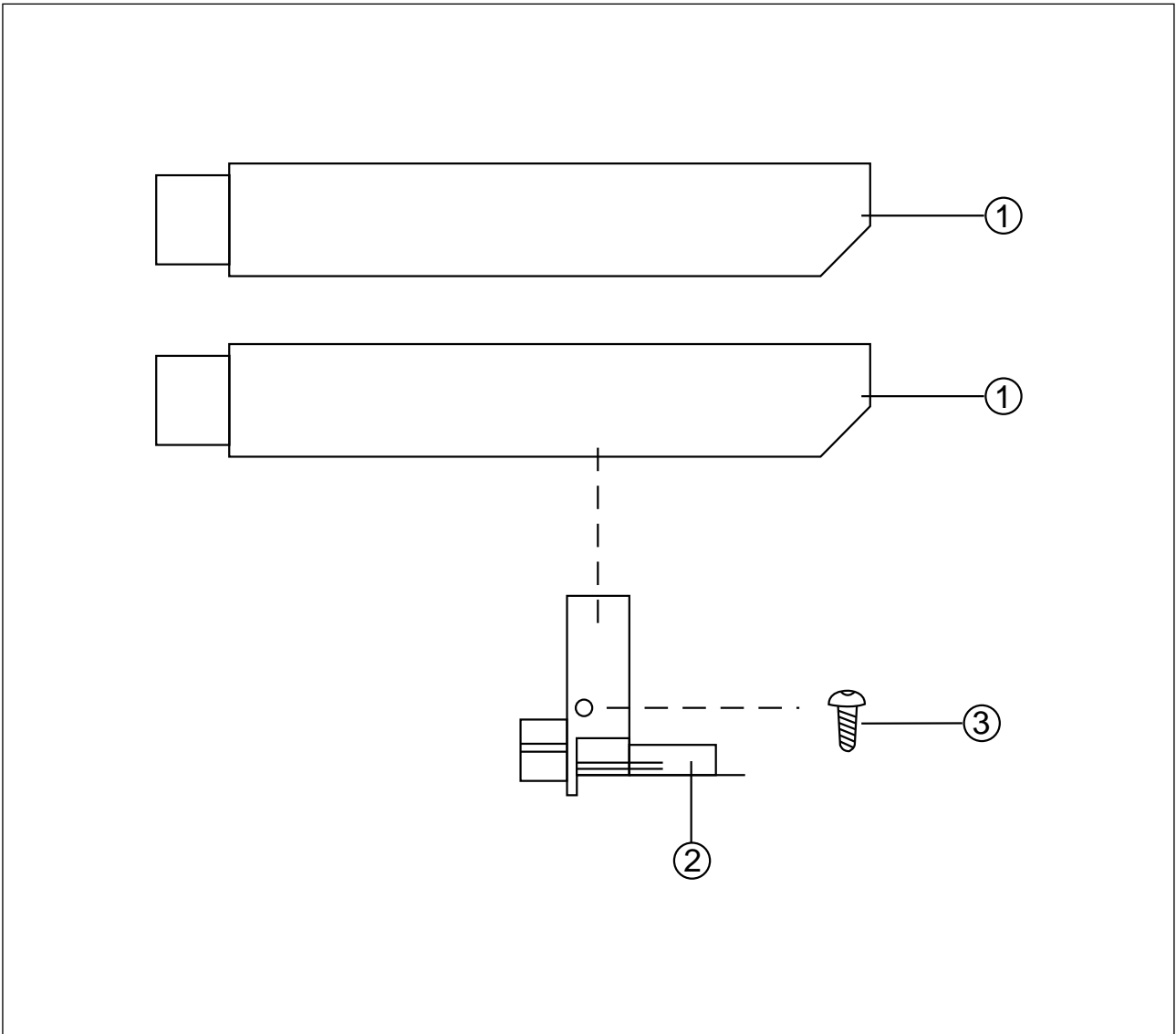
NO	PART NAME	PART CODE	SPECS.	Q'TY	NOTE
1	COVER	3621401000	ABS	1	
2	BUTTON	3626600200	POM	1	
3	SPRING	3625100500	HSW3	1	
4	PIPE	3624400500	ABS	1	

PIPE ASSEMBLY (I-2)



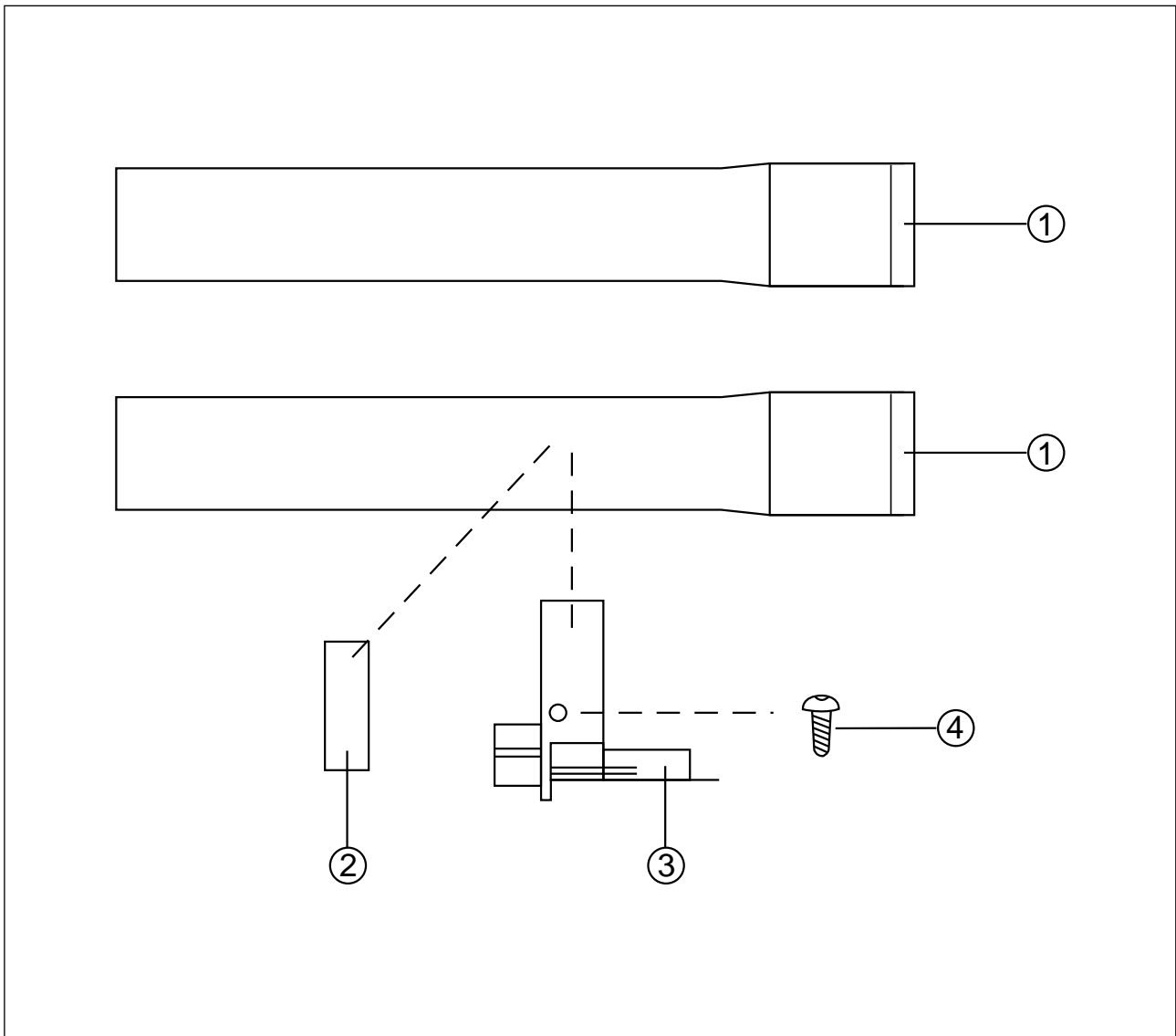
NO	PART NAME	PART CODE	SPECS.	Q'TY	NOTE
1	COVER	3621401000	ABS	1	
2	BUTTON	3626600200	POM	1	
3	SPRING	3625100500	HSW3	1	
4	PIPE	3624400500	ABS	1	
5	HOLDER	3623000500	ABS	1	
6	SCREW TAPPING	7121401411	T2S PAN 4X14 MFZN	1	

PIPE ASSEMBLY (II)



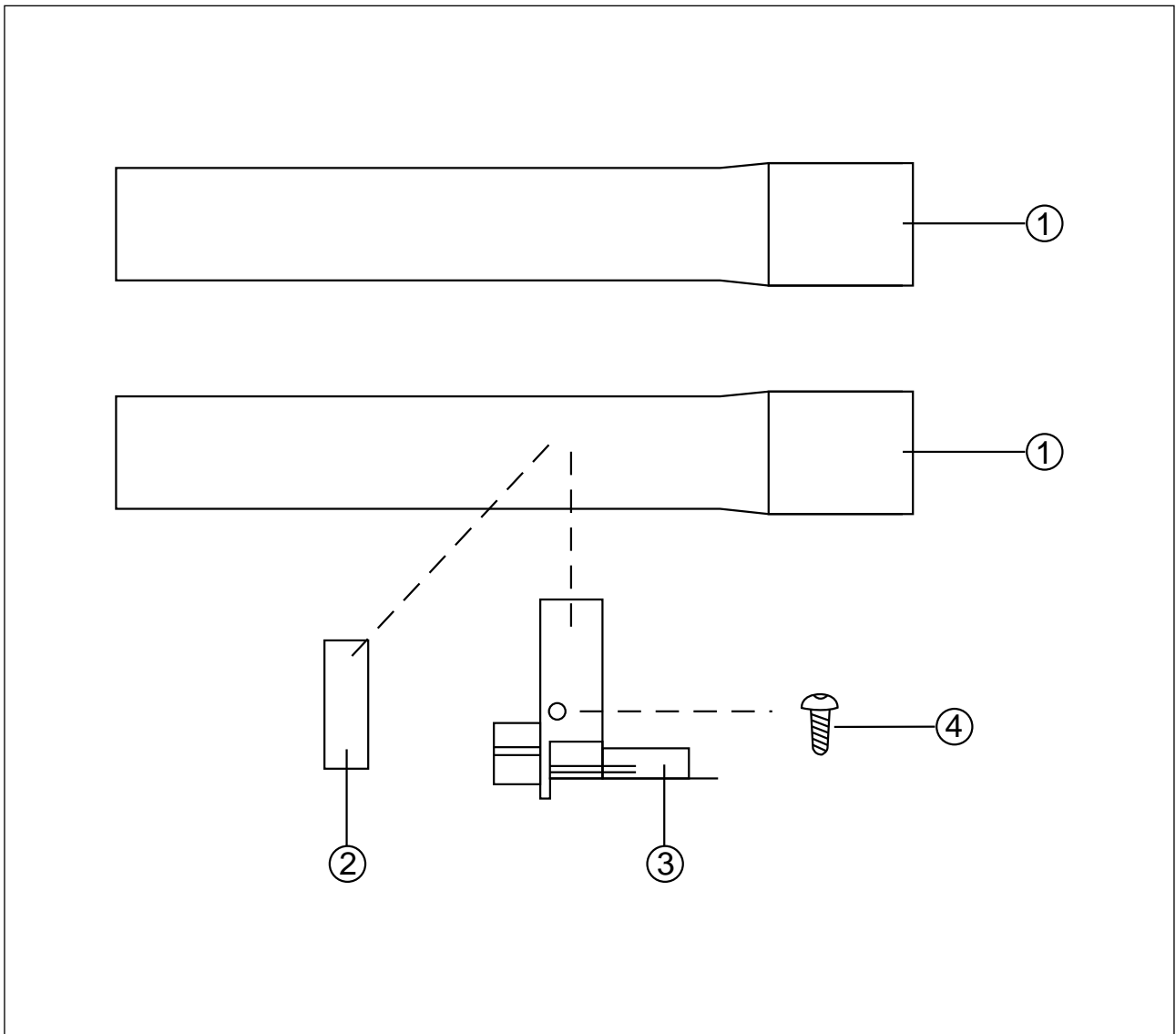
NO	PART NAME	PART CODE	SPECS.	Q'TY	NOTE
1	PIPE EXTENSION	4560F75030	ABS	2	
2	HOLDER PIPE	3623002200	ABS	1	
3	SCREW TAPPING	7121401411	T2S PAN 4X14 MFZN	1	

PIPE ASSEMBLY (III)



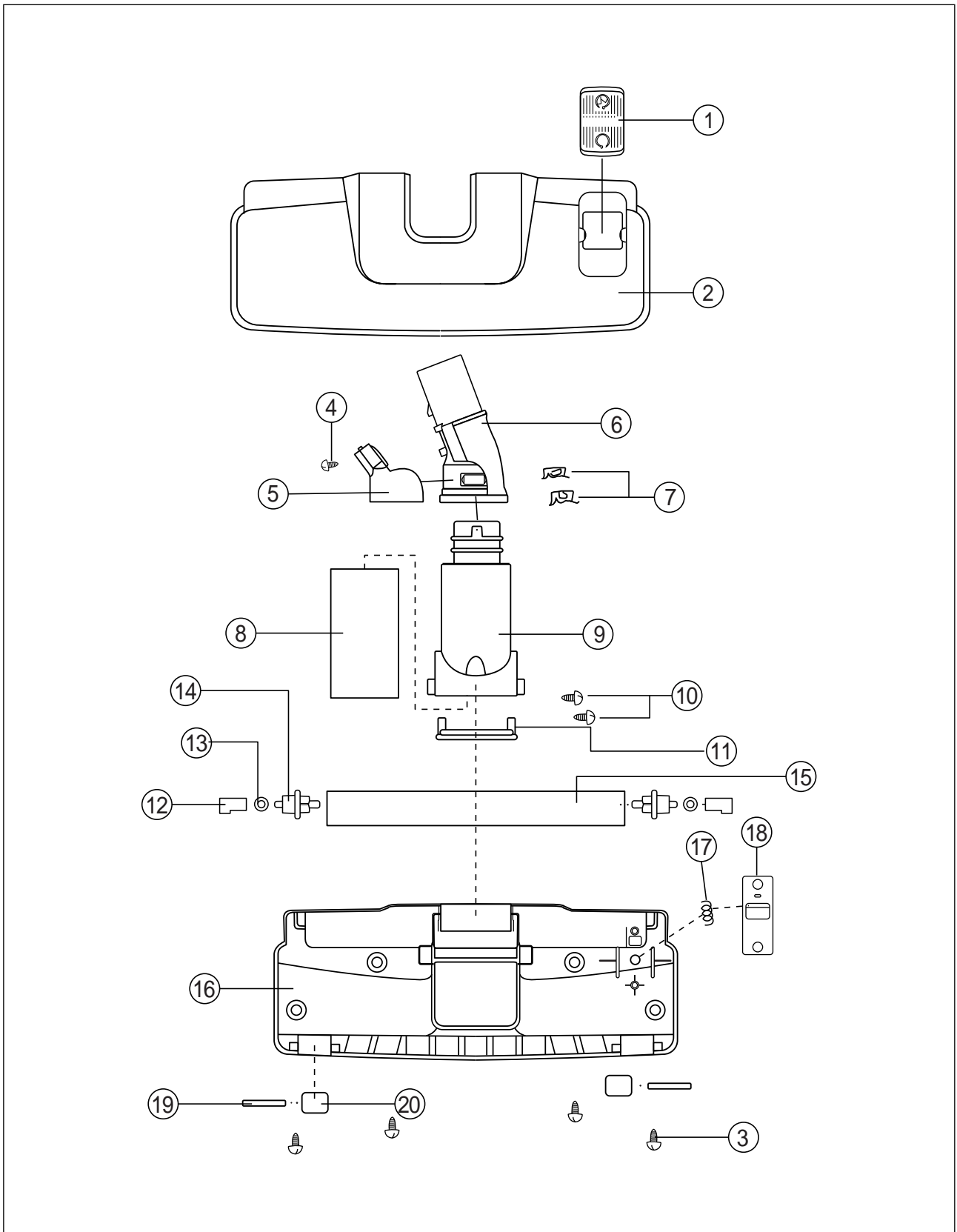
NO	PART NAME	PART CODE	SPECS.	Q'TY	NOTE
1	PIPE	3624403500	HDPE+SPC	2	
2	SPACER	3625000400	EVA POAM T=1.5	1	
3	HOLDER PIPE	3623001900	ABS	1	
4	SCREW TAPPING	7121401411	T2S PAN 4X14 MFZN	1	

PIPE ASSEMBLY (IV)



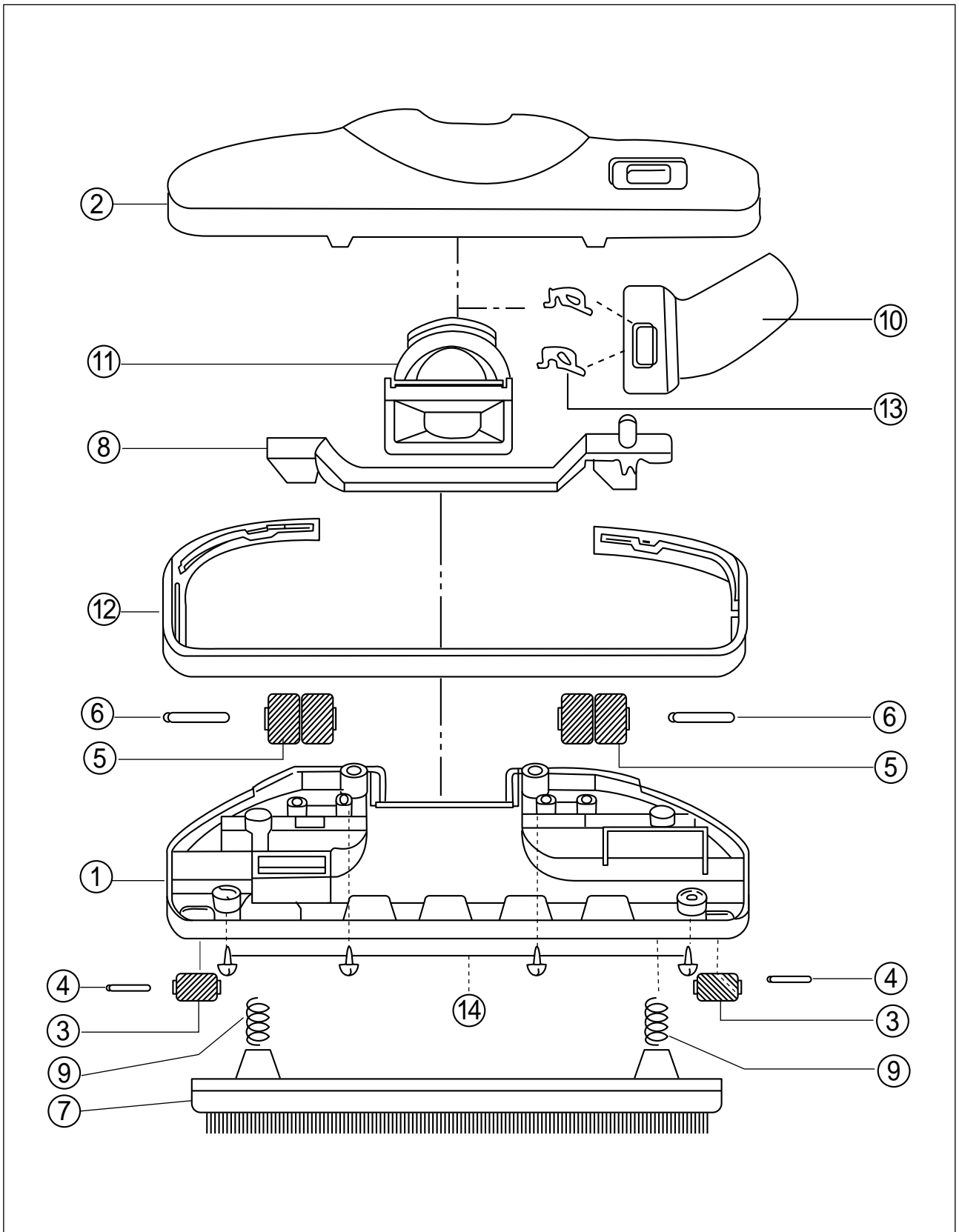
NO	PART NAME	PART CODE	SPECS.	Q'TY	NOTE
1	PIPE	3624403600	PP T=2.5	2	
2	SPACER	3625000400	EVA POAM T=1.5	1	
3	HOLDER PIPE	3623001900	ABS	1	
4	SCREW TAPPING	7121401411	T2S PAN 4X14 MFZN	1	

SUCTION BRUSH ASSEMBLY (I)



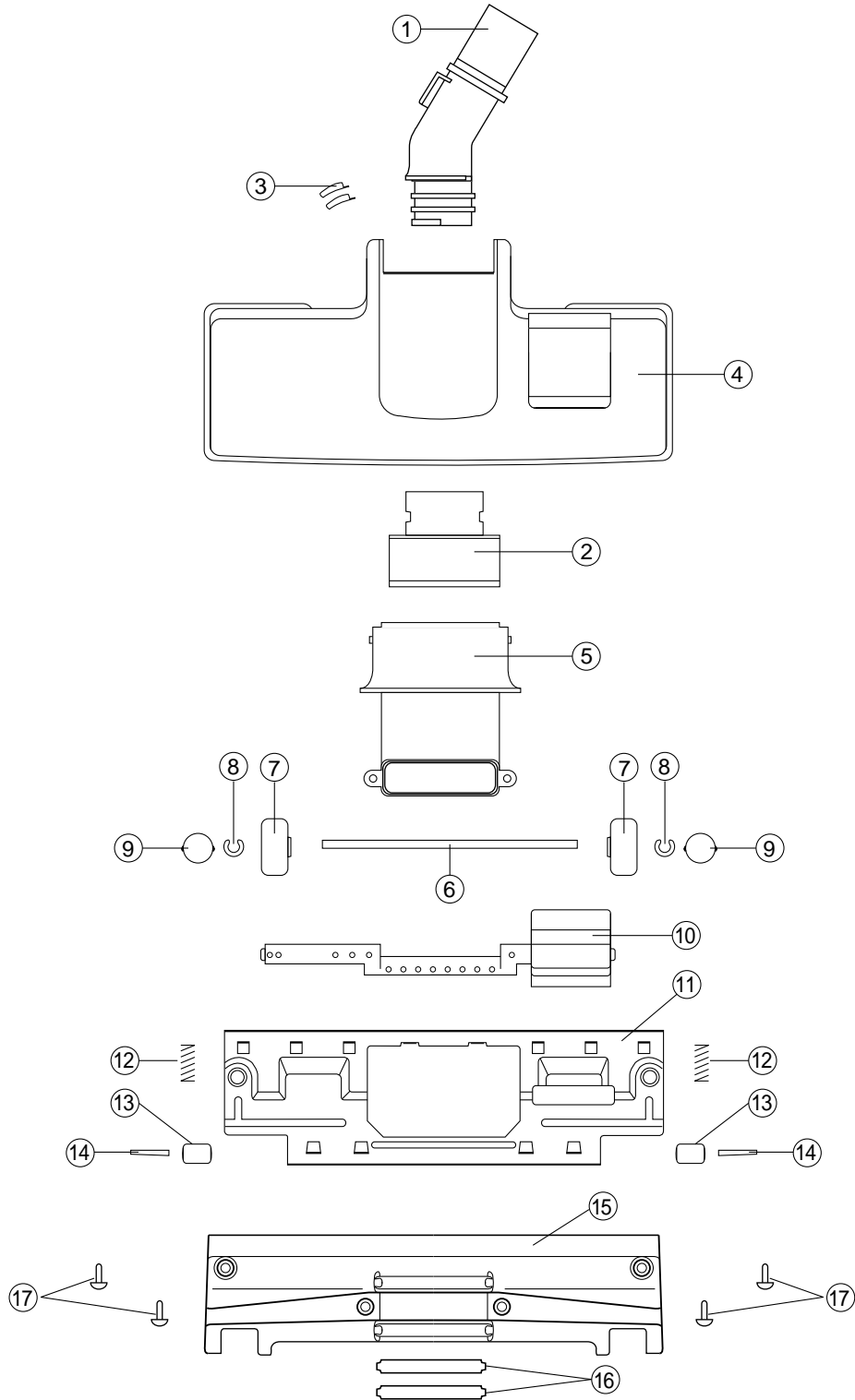
NO	PART NAME	PART CODE	SPECS.	Q'TY	NOTE
1	BUTTON	3626600700	ABS	1	
2	COVER	3612403400	ABS+PVC	1	
3	SCREW TAPPING	7121401411	T2S PAN 4X14 MFZN	4	
4	SCREW TAPPING	7121300812	T2S PAN 3X8 MFZN BK	1	
5	COVER	3621402600	ABS	1	
6	PIPE	3624401400	ABS	1	
7	HOOK	3623100100	PA	2	
8	ABSORBER	3620101900	PVA FOAM	1	
9	NECK	3628000400	ABS	1	
10	SCREW TAPPING	7121402011	T2S PAN 4X20 MFZN	2	
11	COVER	3621403300	ABS	1	
12	BEARING	3623300400	PA	2	
13	SPECIAL WASHER	3626000100	POLYESTER FILM	2	
14	CUFF	3626800100	ABS+SUS	2	
15	BRUSH AS	3629301900	ABS NYLON	1	
16	BODY	3620401800	ABS	1	
17	SPRING	3625101500	HSW3	1	
18	STOPPER	3625200400	ABS	1	
19	PIN	3628200200	SWRM MFZN	2	
20	ROLLER	3624700600	PA+TPE	2	

SUCTION BRUSH ASSEMBLY (II)



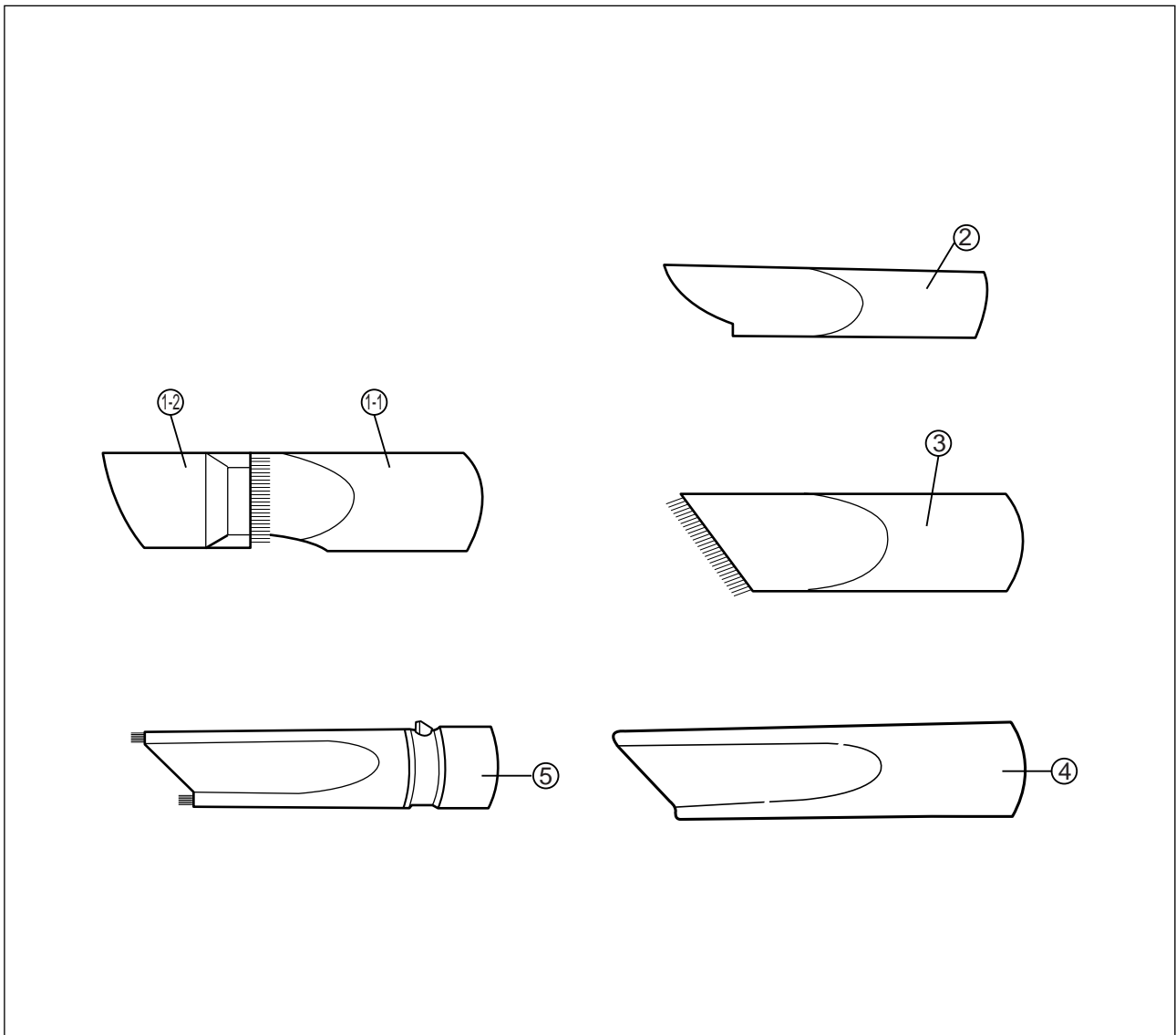
NO	PART NAME	PART CODE	SPECS.	Q'TY	NOTE
1	BODY BRUSH	4560F90010	ABS	1	
2	COVER PIPE	4560F90080	ABS	1	
3	ROLLER PIPE	4560F90020	PP	2	
4	PIN ROLLER	4560F90110	SWRM	2	
5	ROLLER BRUSH	4560F90090	PP	2	
6	PIN ROLLER	4560F90120	SWRM	2	
7	HOLDER PIPE BRUSH	4568B91001	ASSY	1	
8	LEVER BRUSH	4560F90040	ABS	1	
9	SPRING	4568B90050	HSW3	2	
10	PIPE BRUSH	4560F90060	ABS	1	
11	NECK	4560F90070	ABS	1	
12	GASKET BRUSH	4560F90030	PVC-S	1	
13	HOOK	3623100100	POLY AMIDE	2	
14	SCREW TAPPING	7121401411	T2S PAN 4X14 MFZN	4	

SUCTION BRUSH ASSEMBLY (III)



NO	PART NAME	PART CODE	SPECS.	Q'TY	NOTE
1	PIPE BRUSH	3624402400	PP	1	
2	NECK	3628000700	PP	1	
3	HOOK	3623100100	PA	2	
4	COVER BRUSH	3621405400	PP	1	
5	ROLLER COVER AIR	3621406200	PP	1	
6	PIN SHAFT	3624900400	SWRM+MFZN	1	
7	ROLLER	3624701000	PA+TPE	2	
8	RING E	7402004011	ER-4 MFZN	2	
9	CAP ROLLER	3620901500	PA	2	
10	PIPE LEVER BRUSH	3623700800	ABS	1	
11	PLATE BRUSH AS	3624500800	ASSY	1	
12	SPRING	3625102600	HSW3	2	
13	ROLLER	3624700600	PA+TPE	2	
14	PIN	3628200200	SWRM MFZN	2	
15	PLATE BRUSH	3624500600	SUS T=0.5	1	
16	PICKER LITTER	3627000100	ABS+NYLON	2	
17	SCREW TAPPING	7121401411	T2S PAN 4X14 MFZN	4	

NOZZLE ASSEMBLY



NO	PART NAME	PART CODE	SPECS.	Q'TY	NOTE
1	BRUSH MULTI AS	4560A67000	ASSY	1	105, 209
1-1	BODY BRUSH	4560A67111	PP	1	
1-2	BRUSH MULTI AUX	4560A67121	PP+NYLON	1	
2	NOZZLE CREVICE	4568A24020	PP	1	170
3	NOZZLE CREVICE	3628100400	ABS+NYLON	1	105
4	NOZZLE	3628100300	PP	1	407
5	NOZZLE	3628100100	PP	1	705

S/M NO. : RC10800100

DAEWOO

DAEWOO ELECTRONICS CO., LTD.

686, AHYEON-DONG, MAPO-GU, SEOUL, KOREA

C.P.O. BOX 8003 SEOUL, KOREA

TELEX: DWELEC K28177-8

CABLE: "DAEWOOELEC"

FAX: 02) 360-8184

TEL: 02) 360-8182~3/8178~9

<http://www.dwe.daewoo.co.kr>

Printed Date : JUNE, 1997