

Service Manual Vacuum Cleaner

Model : RC-105

DAEWOO



**DAEWOO ELECTRONICS CO., LTD.
OVERSEAS SERVICE DEPT.**

CONTENTS

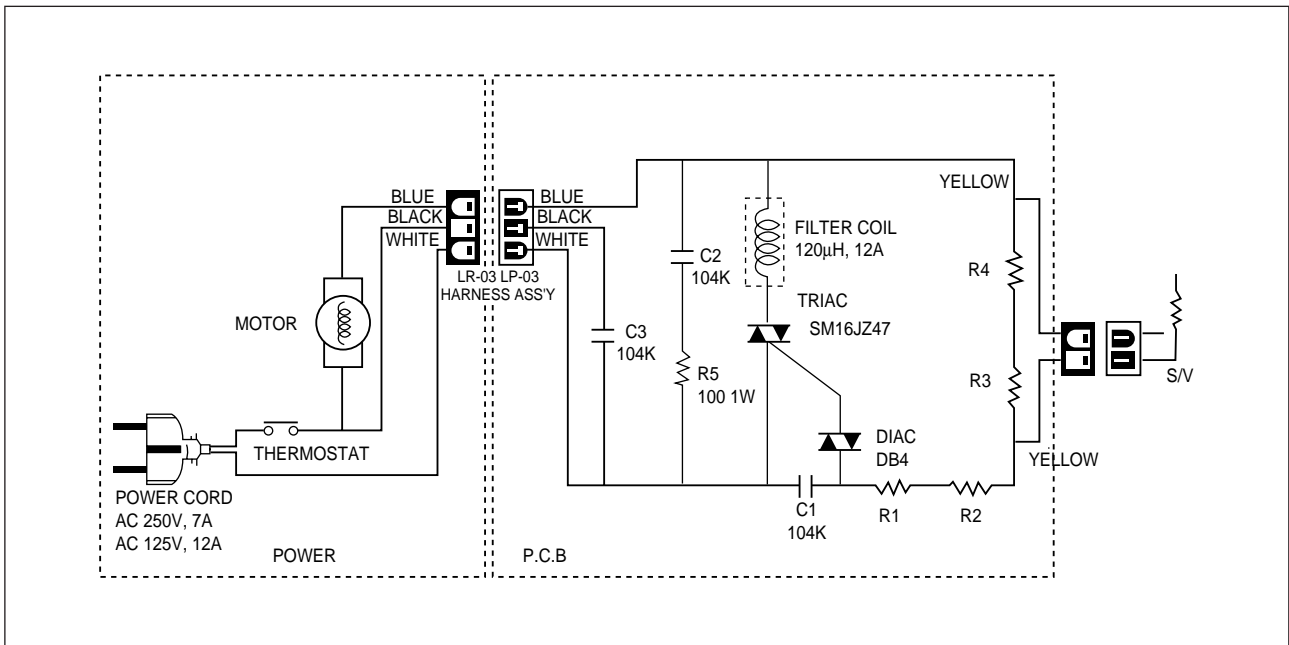
| | |
|----------------------------------|----|
| 1. SPECIFICATIONS | 2 |
| 2. CIRCUIT DIAGRAM | 3 |
| 3. BODY DISASSEMBLY FLOW CHART | 5 |
| 4. EXPLODED VIEW AND PARTS LIST | 6 |
| fTOTAL BODY ASSEMBLY | 6 |
| fBODY ASSEMBLY | 9 |
| fCOVER ASSEMBLY | 12 |
| fMOTOR ASSEMBLY | 14 |
| fDUST METER ASSEMBLY | 15 |
| fDORD REEL ASSEMBLY | 16 |
| fHOSE LINE ASSEMBLY (I) | 18 |
| fHOSE LINE ASSEMBLY (II) | 20 |
| fHOSE LINE ASSEMBLY (III) | 22 |
| fPIPE ASSEMBLY (I) | 24 |
| fPIPE ASSEMBLY (II) | 26 |
| fPIPE ASSEMBLY (III) | 27 |
| fPIPE ASSEMBLY (IV) | 28 |
| fSUCTION BRUSH ASSEMBLY (I) | 29 |
| fSUCTION BRUSH ASSEMBLY (II) | 31 |
| fSUCTION BRUSH ASSEMBLY (III) | 33 |
| fNOZZLE ASSEMBLY | 35 |

1. SPECIFICATIONS

| | |
|-----------------------------------|---|
| RATED VOLTAGE AND RATED FREQUENCY | AC 100V / 50~60HZ AC 110V / 60HZ AC 220V / 50HZ AC 220V / 60HZ AC 230V / 50HZ AC 240V / 50HZ |
| RATED INPUT | 1000W |
| DIMENSION (W ;  ; H) | 253 ; 353 ; 219 mm (W ;  ; H) |
| NET WEIGHT | 5.3KG |
| CORD LENGTH | 5m |

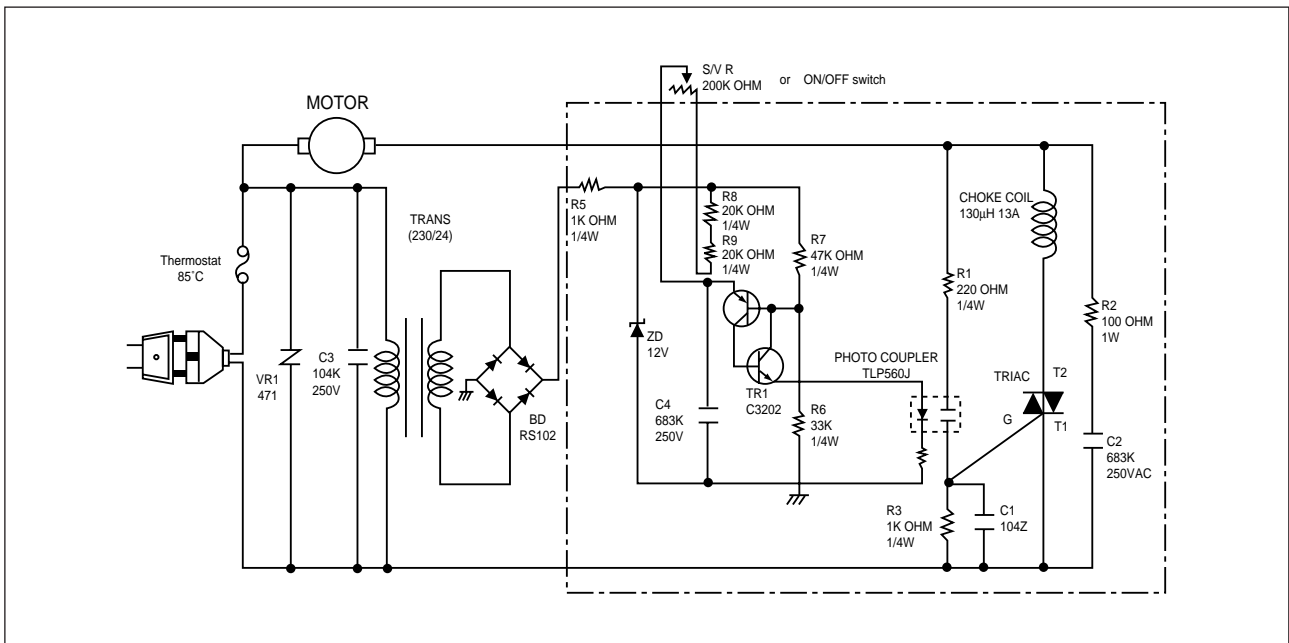
2. CIRCUIT DIAGRAM

-DIAC CONTROL



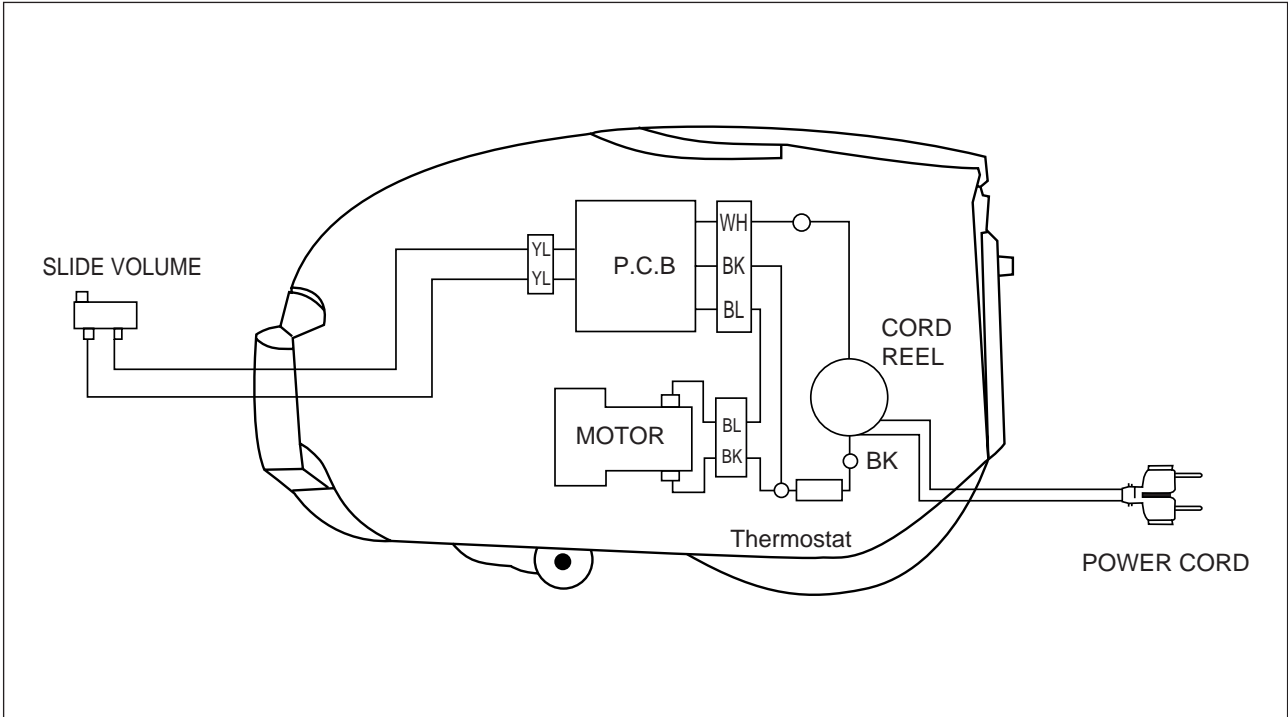
| VOLTAGE | R1 | R2 | R3 | R4 | SLIDE VOLUME | THERMOSTAT |
|------------------|-----------|-----------|------------|------------|--------------|------------|
| AC 110V/50, 60HZ | 1KΩ 1/2W | 1KΩ 1/2W | 91KΩ 1/2W | 91KΩ 1/2W | 200KΩ | 85°C |
| AC 220V/50HZ | 10KΩ 1/2W | 10KΩ 1/2W | 180KΩ 1/2W | 240KΩ 1/2W | 500KΩ | 85°C |
| AC 220V/60HZ | 10KΩ 1/2W | 10KΩ 1/2W | 150KΩ 1/2W | 160KΩ 1/2W | 500KΩ | 85°C |

-DC CONTROL (230V/50HZ)

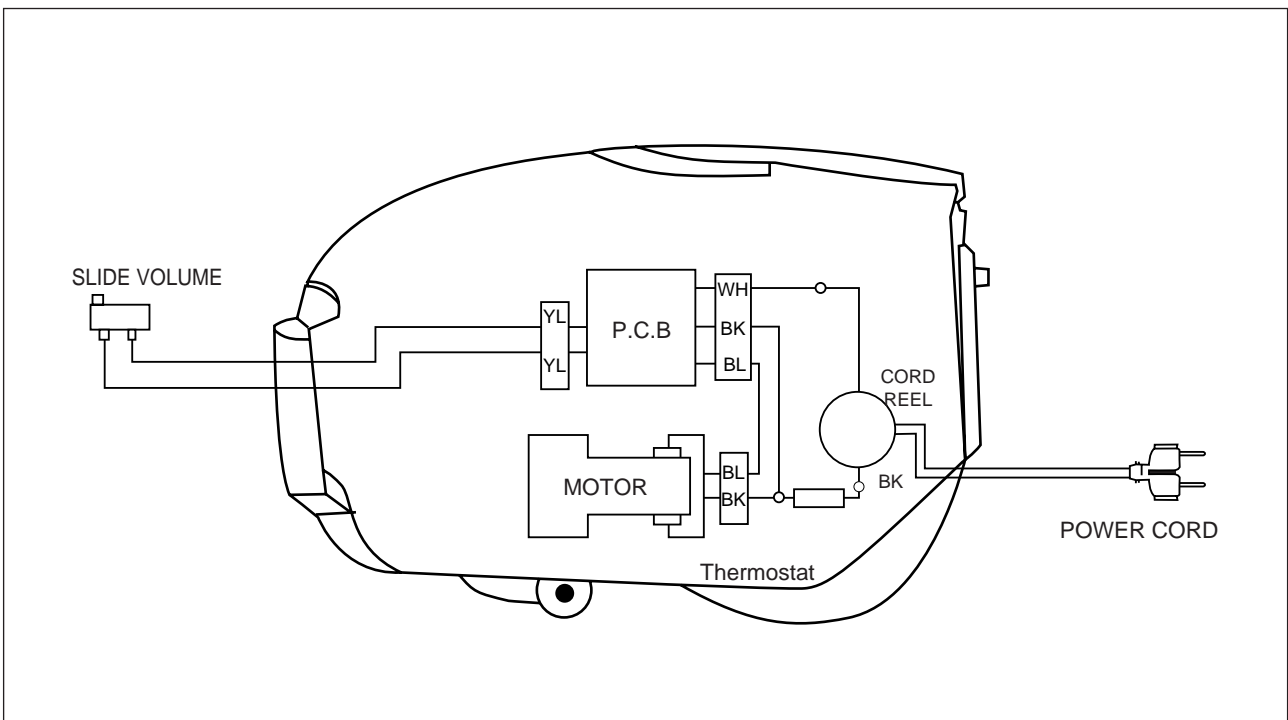


WIRING DIAGRAM

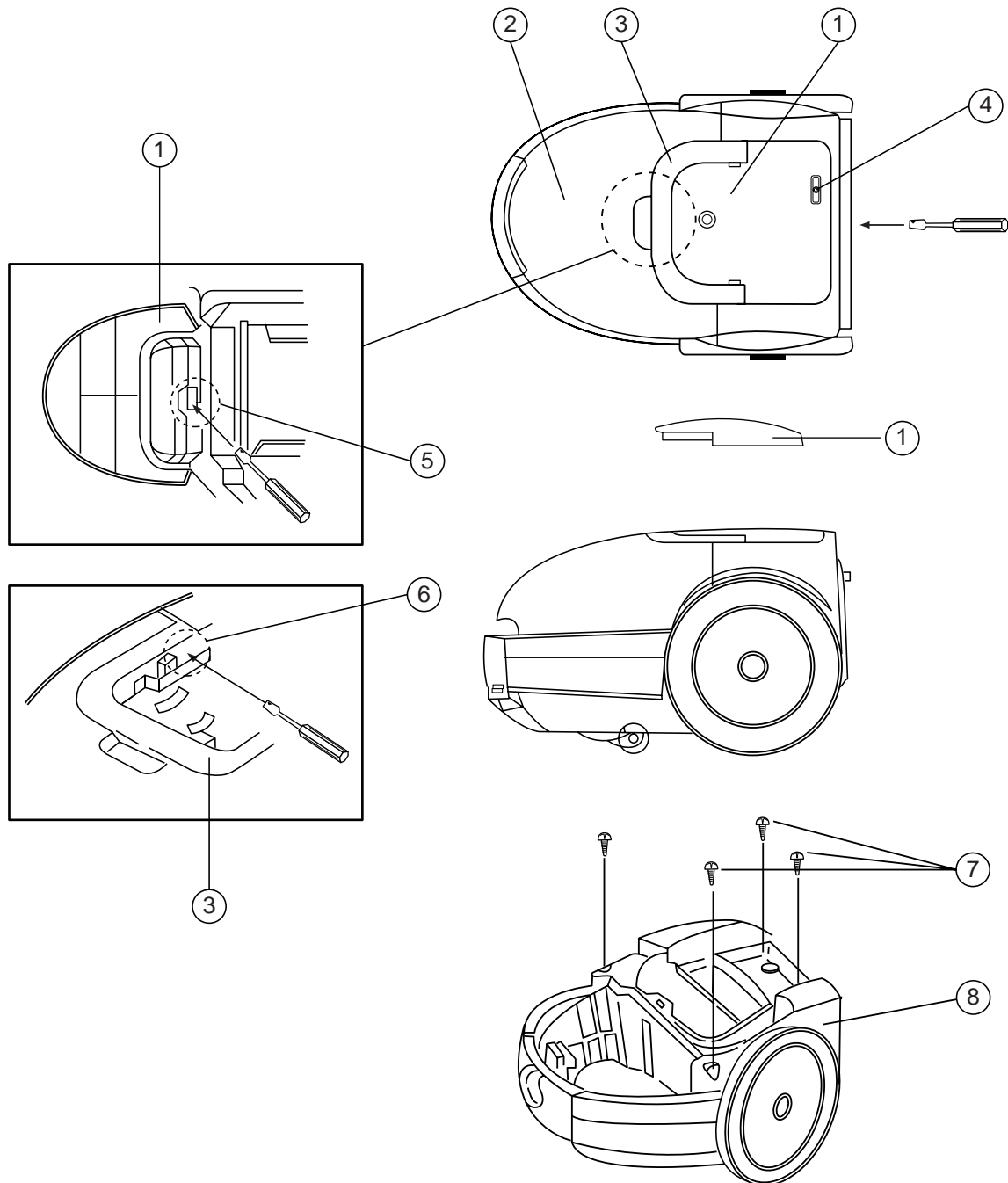
-DIAC CONTROL



-DC CONTROL



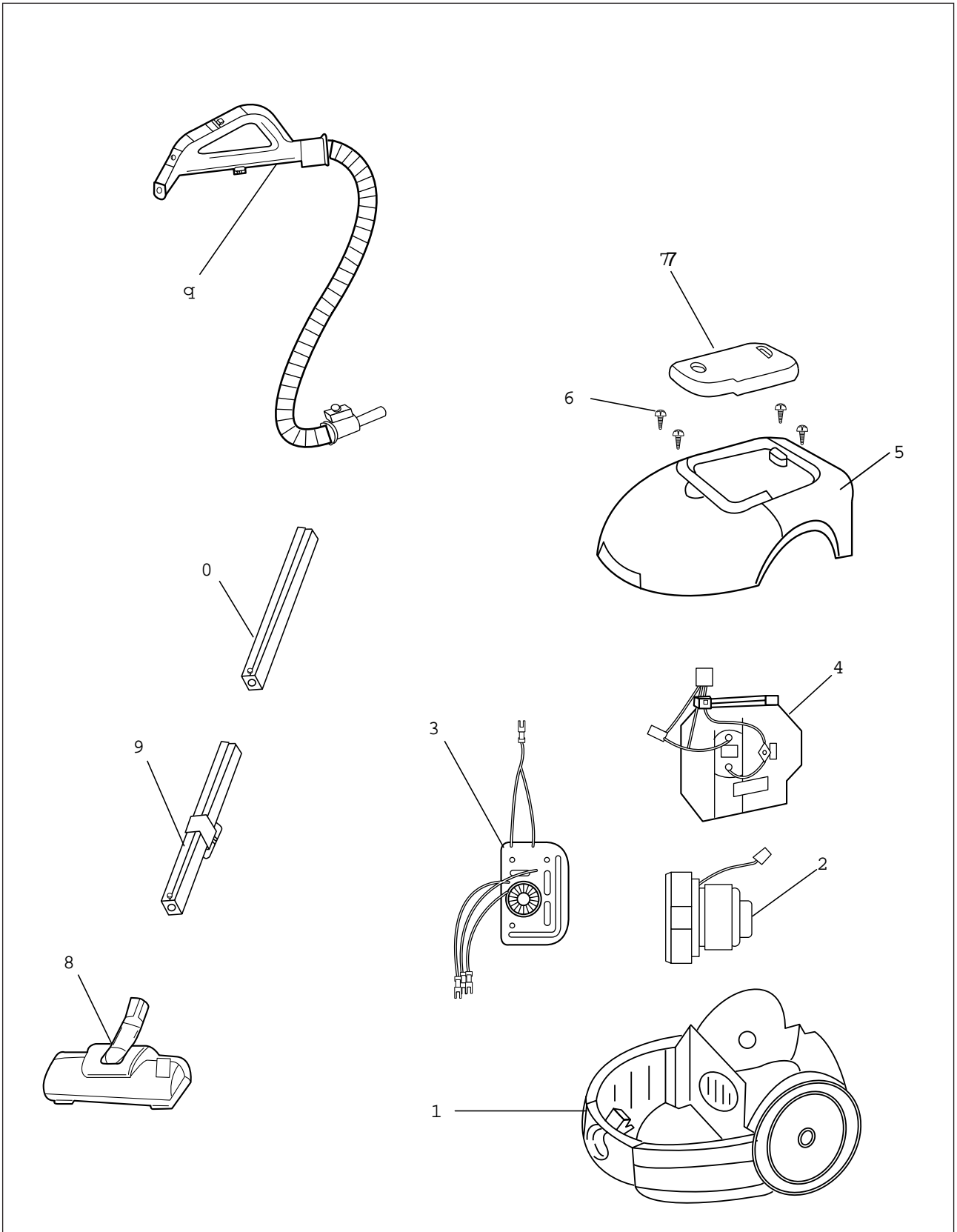
3. BODY DISASSEMBLY FLOW CHART



1. Open the cover and push the snap fit of the cover as shown the above figure, remove the cover .
2. After removing the cover .
Remove the dust cover and handle As shown the above figure .
3. Push the snap fit of the button by tape driver.
And remove the button
4. After removing the screws , and remove the cover .

4. EXPLODED VIEW AND PARTS LIST

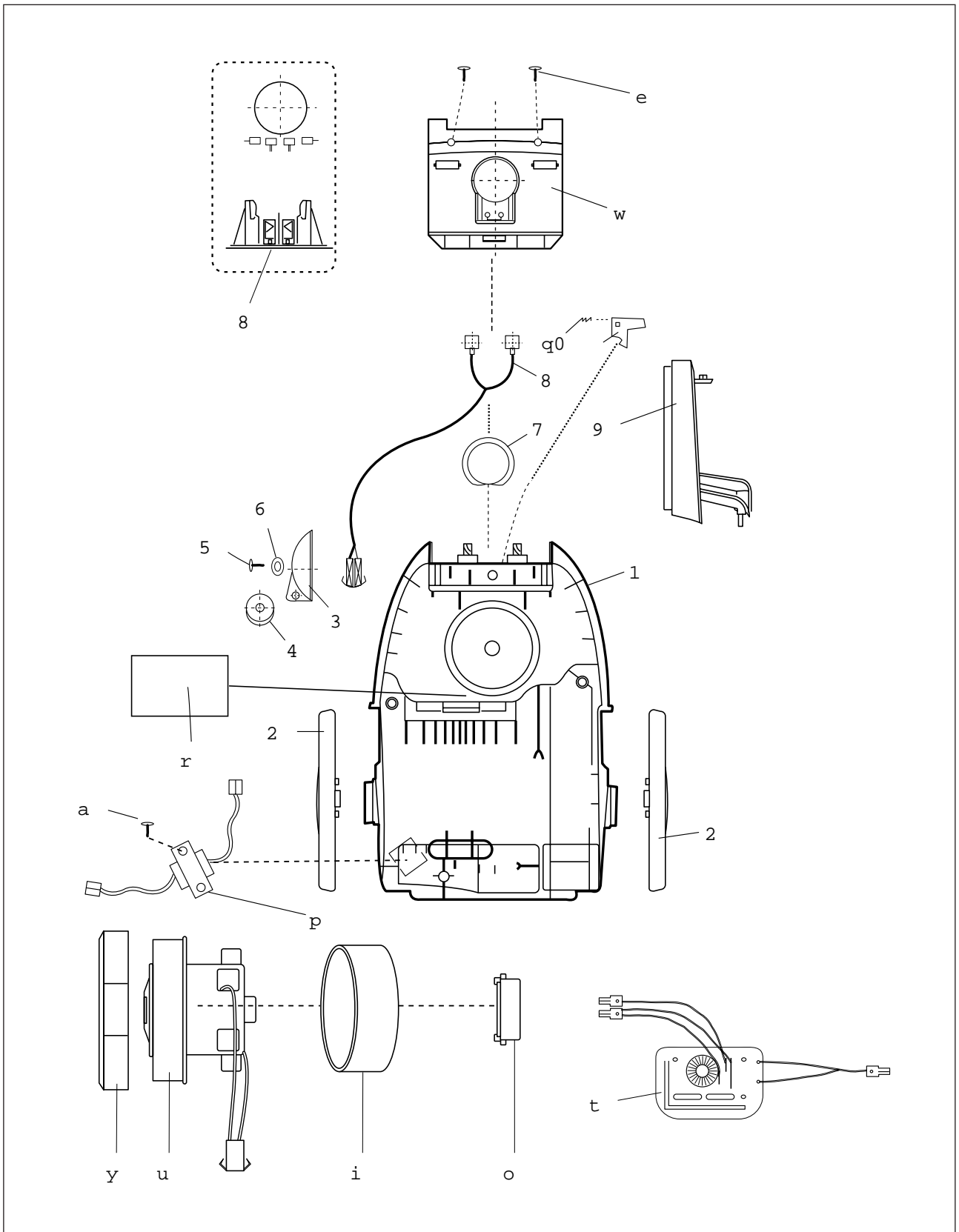
TOTAL BODY ASSEMBLY



| NO | PART NAME | PART CODE | SPECS. | QTY | NOTE |
|----|-----------------------|------------|--------------------------------------|-----|---------------------|
| 1 | BODY AS | 3620402100 | 105H, R-00, PP ROLLER | 1 | |
| | | 3620401900 | 705H, R-00, PP ROLLER | | |
| | | 3620402610 | 105H, R-01 | | 2HOLE ADAPTER |
| | | 3620403100 | 705H, R-01 | | 2HOLE ADAPTER |
| | | 3620403000 | 105H, R-01, 2ROLLER | | 2HOLE ADAPTER, FELT |
| | | 3620402800 | 705H, R-01, 2ROLLER | | 2HOLE ADAPTER |
| 2 | MOTOR UNIVERSAL AS | | 110V, 110V, 220V 230V, 240V/1000W | 1 | DMI, O/S |
| 3 | PCB AS | 3624301700 | ASSY | 1 | 220V/60HZ S/V |
| | | 3624303010 | | | 100V S/V JAPAN |
| | | 3624302700 | | | 220V/50HZ S/V |
| | | 3624302710 | | | 230V/50~60HZ S/V |
| | | 3624304000 | | | SEMKO DC CONTROL |
| | | 3624305100 | | | 100~240V ON/OFF |
| 4 | CORD REEL AS | 3629503700 | 250V/7A, 6.3M | 1 | COMMON |
| | | 3629503800 | 125V/12A, 5M, F15A | | JAPAN |
| | | 3629503900 | 250V/7A, 5M | | COMMON |
| | | 3629504000 | 4Ø PLUG | | CHILE |
| | | 3629504300 | 300V 15A, 6M | | SEMKO DC CONTROL |
| | | 3629501605 | 250V/7A | | ISREAL |
| | | 3629503610 | 125/12A, 5M, F10A | | JAPAN |
| 5 | COVER AS | 3621407210 | ASSY | 1 | COMMON |
| 6 | SCREW TAPPING | 7121402011 | T2S PAN 4X20 MFZN | 4 | |
| 7 | COVER DM | 3621407700 | ABS | 1 | |
| 8 | BUTTON | 3626600900 | ABS CORD REEL | 1 | |
| 9 | SUCTION BRUSH AS | 3629302200 | QUIET BRUSH | 1 | BUTTON |
| | | 4560F90001 | NORMAL BRUSH | | INSERT ABS |
| | | 3629301700 | 407 BRUSH | | BUTTON |
| | | 3629301600 | 407 BRUSH | | INSERT BLOWER |
| | | 3629302500 | NORMAL BRUSH | | PATENT JAPAN |
| | | 3629302300 | QUIET BRUSH, R-01 | | BUTTON |
| | | 3629302400 | QUITE BRUSH, R-01 | | INSERT BLOWER |
| | | 4560B90001 | NORMAL BRUSH | | BUTTON |

| NO | PART NAME | PART CODE | SPECS. | QTY | NOTE |
|------------|---------------------|------------|----------------------|-----|---------------|
| | | 3629502510 | NORMAL BRUSH | | INSERT BLOWER |
| 10 | PIPE AS | 3624403100 | ABS INSERT (AS) | 1 | |
| | | 3624400710 | ABS BUTTON (EA) | | |
| | | 3624405300 | ABS BUTTON (EA) | | |
| | | 3624404600 | BLOWER (AS) | | |
| | | 3624405000 | TELESCOPIC (AS) | | |
| | | 3624404500 | STEEL (EA) | | |
| 11 | PIPE AS | 3624400610 | ABS BUTTON (EA) | 1 | |
| | | 3624404400 | ABS BUTTON (EA) | | |
| | | 3624403500 | STEEL (EA) | | |
| 12 | HOSE AS | 3623201400 | GRIP. 1.3M, 500K | 1 | |
| | | 3623201410 | GRIP, 1.3M, 200K | | |
| | | 3623201420 | GRIP, 1.8M, 200K | | |
| | | 3623202201 | INSERT, 1.3M, 500K | | |
| | | 3623201901 | INSERT, 1.3M, 200K | | |
| | | 3623202210 | INSERT, 1.8M, 500K | | |
| | | 3623201910 | INSERT, 1.8M, BLOWER | | 200K |
| | | 3623201920 | INSERT, 1.5M, BLOWER | | 200K |
| | | 3623203000 | ON/OFF, 1.3M | | |
| | | 3623203010 | ON/OFF, 1.5M | | |
| | | 3623203020 | ON/OFF, 1.8M | | |
| | | 3623203030 | ON/OFF, 1.8M, BLOWER | | |
| | | 3623203600 | SWING, INSERT, 1.3M | | 500K |
| | | 3623203610 | SWING, INSERT, 1.3M | | 200K |
| | | 3623203700 | SWING, BUTTON, 1.3M | | 500K |
| | | 3623203710 | SWING, BUTTON, 1.3M | | 200K |
| | | 3623203630 | SWING, INSERT, 1.5M | | 500K |
| | | 3623203620 | SWING, INSERT, 1.5M | | 200K |
| 3623203650 | SWING, INSERT, 1.8M | 500K | | | |
| 3623203640 | SWING, INSERT, 1.8M | 200K | | | |

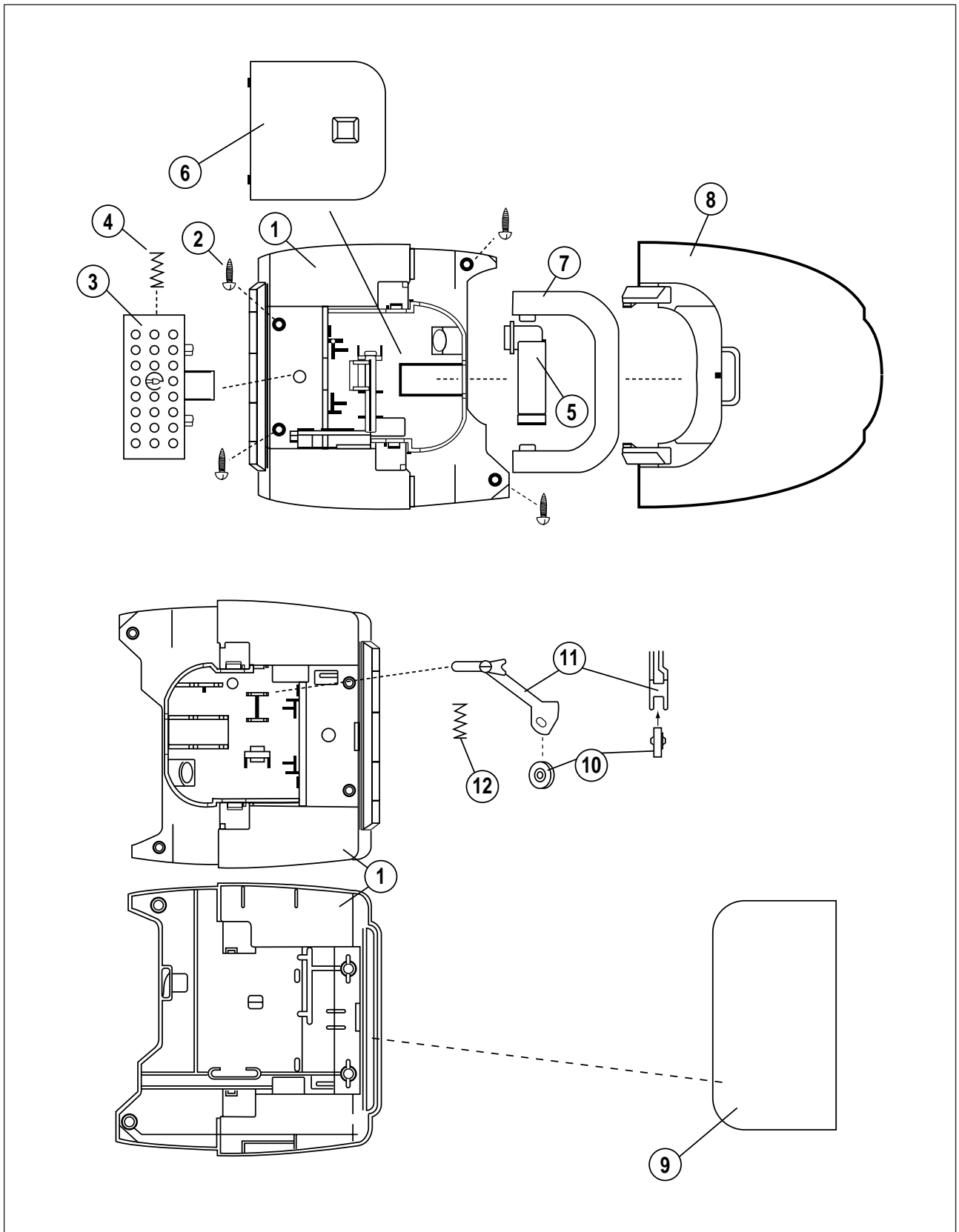
BODY (DOWN) ASSEMBLY



| NO | PART NAME | PART CODE | SPECS. | QTY | NOTE |
|----|-----------------|------------|-------------------------|-----|------------------|
| 1 | BODY AS | 3620401400 | ABS | 1 | RC-105 |
| | | 3620402700 | | | RC-107, 108 |
| 2 | ROLLER | 3624700800 | PP | 2 | 1 PIECE |
| | | 3624701500 | COVER ROLLER & ROLLER | | 2 PIECE |
| 3 | BRACKET ROLLER | 4569C20041 | PC | 1 | |
| 4 | ROLLER | 4568A54020 | POM+PVC | 1 | |
| 5 | SCREW TAPPING | 7121401211 | T2S PAN 4X12 MFZN | 1 | |
| 6 | WASR SPERL | 4509M12080 | SCR1 1.6X6.4X12.5 MFZN | 1 | |
| 7 | PACKING | 3624002000 | CR | 1 | |
| | | 3624002200 | | | |
| 8 | HARNESS | 3622706500 | TERMINAL+WIRE+HOUS | 1 | |
| 9 | PROTECTOR | 3628300300 | PVC-S | 1 | |
| 10 | HOLDER FILTER | 3623002100 | ABS | 1 | RC-105 |
| | | 3623002000 | ABS | | RC-705 |
| 11 | SPRING | 3625102700 | HSW3 | 1 | |
| 12 | ADAPTER | 3629100100 | ABS | 1 | |
| 13 | SCREW TAPPING | 7121401411 | T2S PAN 4X14 MFZN | 2 | |
| 14 | FILTER | 3621900600 | POLYESTER | 1 | |
| 15 | PCB AS | 3624301700 | ASSY | 1 | 220V/60HZ S/V |
| | | 3624303010 | | | 100V S/V JAPAN |
| | | 3624302700 | | | 220V/50HZ S/V |
| | | 3624302710 | | | 230V/50~60HZ S/V |
| | | 3624304000 | | | SEMKO DC CONTROL |
| | | 3624305100 | | | 100~240V ON/OFF |
| 16 | CAP FRONT | 3620901200 | CR FOAM | 1 | |
| 17 | MOTOR UNIVERSAL | 3962130200 | 100V, 1000W HARNESS OS | 1 | |
| | | 3962220200 | 110V, 1000W HARNESS OS | | |
| | | 3962330300 | 220V, 1000W HARNESS OS | | |
| | | 3962510200 | 230V, 1000W HARNESS OS | | |
| | | 3962610200 | 240V, 1000W HARNESS OS | | |
| | | 3962130301 | 100V, 1000W HARNESS DMI | | |
| | | 3962220300 | 110V, 1000W HARNESS DMI | | |
| | | 3962330530 | 220V, 1000W HARNESS DMI | | |

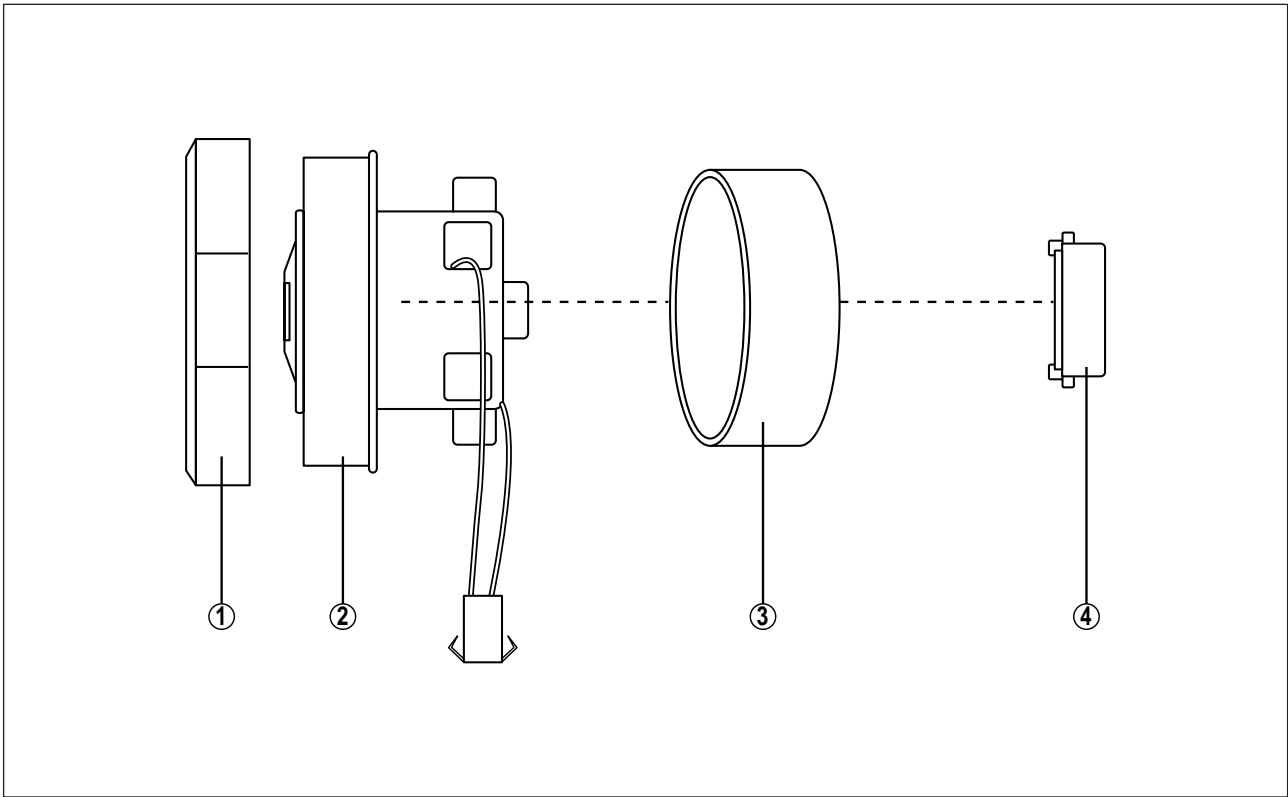
| NO | PART NAME | PART CODE | SPECS. | QTY | NOTE |
|----|----------------|------------|-------------------------|-----|------------------|
| | | 3962510210 | 230V, 1000W HARNESS DMI | | |
| | | 3962610300 | 240V, 1000W HARNESS DMI | | |
| 18 | ABSORBER MOTOR | 4569C10071 | PU FOAM | 1 | |
| 19 | CAP | 3620901300 | NR BACK | 1 | O/S |
| | | 3620901600 | | 1 | DMI |
| | | 3620901800 | | 1 | LG |
| 20 | TRANS POWER | 5EPU351450 | 230V 50HZ | 1 | SEMKO DC CONTROL |
| 21 | SCREW TAPPING | 7121401411 | T2S PAN 4X14 MFZN | 1 | SEMKO DC CONTROL |

COVER ASSEMBLY



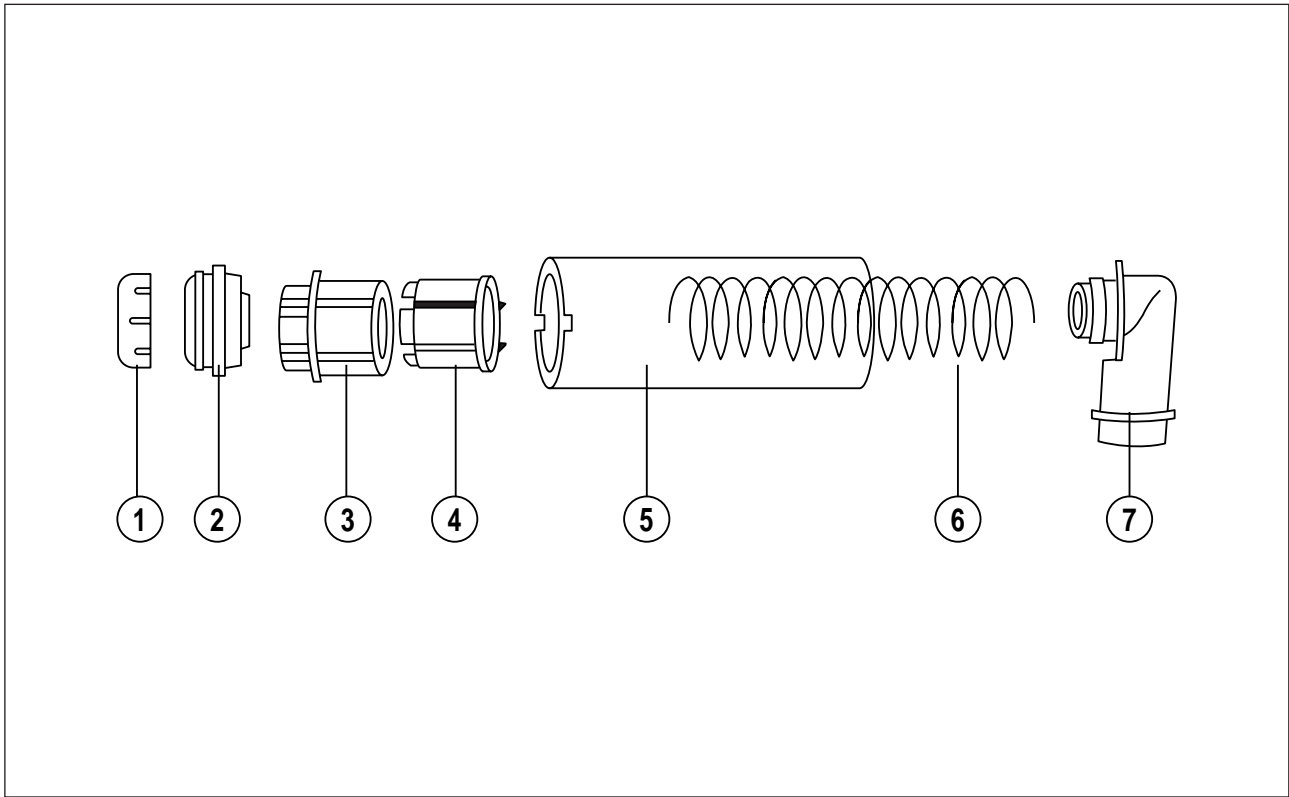
| NO | PART NAME | PART CODE | SPECS. | Q_iTY | NOTE |
|-----------|------------------|------------------|-------------------|--------------|-------------|
| 1 | COVER AS | 3621404100 | ABS BODY | 1 | |
| 2 | SCREW TAPPING | 7121402011 | T2S PAN 4X20 MFZN | 4 | |
| 3 | BUTTON | 3626600900 | ABS | 1 | |
| 4 | SPRING | 3625101800 | HSW3 | 1 | |
| 5 | DUST METER AS | 3629700700 | ASSY | 1 | |
| 6 | COVER | 3621407700 | ABS MIDDLE SILK | 1 | |
| 7 | HANDLE | 3622600200 | ABS | 1 | |
| 8 | COVER | 3621404300 | ABS DUST | 1 | |
| 9 | VALVE DM | 3625400100 | LDPE | 1 | |
| 10 | PACKING DM | 3624000400 | S-PVC | 1 | |
| 11 | DUST METER | 4560F23030 | ABS | 1 | |
| 12 | DUST METER | 4560F23060 | ABS | 1 | |
| 13 | HOUSING | 4560F23010 | SAN | 1 | |
| 14 | SPRING | 3625100700 | SUS | 1 | |
| 15 | ELBOW | 3627100300 | PVC DM | 1 | |
| 16 | FILTER | 3621900800 | NON-WOVEN EXH | 1 | |
| 17 | STOPPER ASSY | 3625200200 | ASSY | 1 | |
| 18 | LEVER | 3623700600 | ABS CORD REEL | 1 | |
| 19 | SPRING | 3625101800 | HSW3 | 1 | |

MOTOR ASSEMBLY



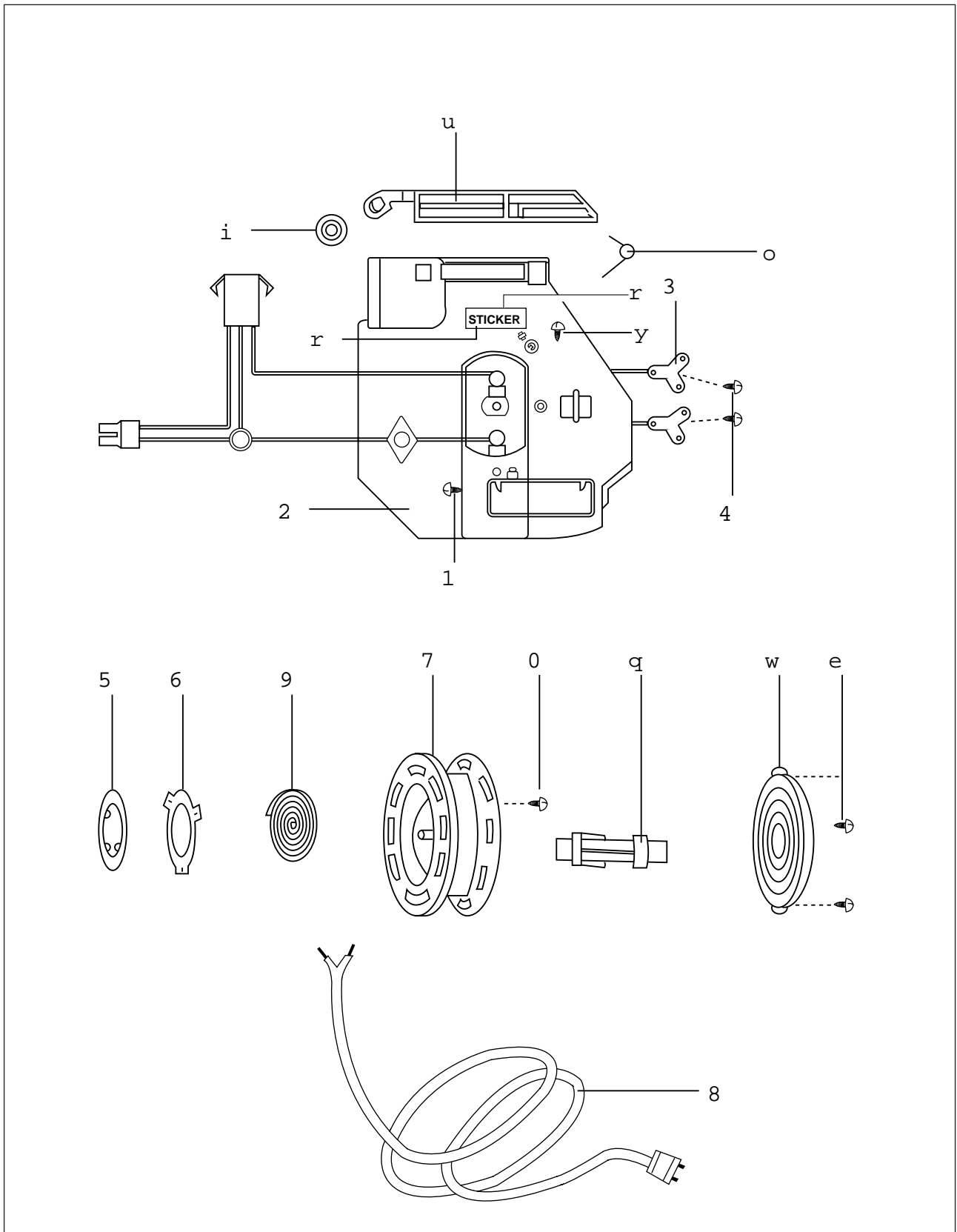
| NO | PART NAME | PART CODE | SPECS. | QTY | NOTE |
|----|-----------------|------------|-------------------------|-----|------|
| 1 | CAP FRONT | 3620901200 | CR FOAM | 1 | |
| 2 | MOTOR UNIVERSAL | 3962130200 | 100V, 1000W HARNESS OS | 1 | |
| | | 3962220200 | 110V, 1000W HARNESS OS | | |
| | | 3962330300 | 220V, 1000W HARNESS OS | | |
| | | 3962510200 | 230V, 1000W HARNESS OS | | |
| | | 3962610200 | 240V, 1000W HARNESS OS | | |
| | | 3962130301 | 100V, 1000W HARNESS DMI | | |
| | | 3962220300 | 110V, 1000W HARNESS DMI | | |
| | | 3962330530 | 220V, 1000W HARNESS DMI | | |
| | | 3962510210 | 230V, 1000W HARNESS DMI | | |
| | | 3962610300 | 240V, 1000W HARNESS DMI | | |
| 3 | ABSORBER MOTOR | 4569C10071 | PU FOAM | 1 | |
| 4 | CAP | 3620901300 | NR BACK | 1 | O/S |
| | | 3620901600 | | 1 | DMI |
| | | 3620901800 | | 1 | LG |

DUST METER ASSEMBLY



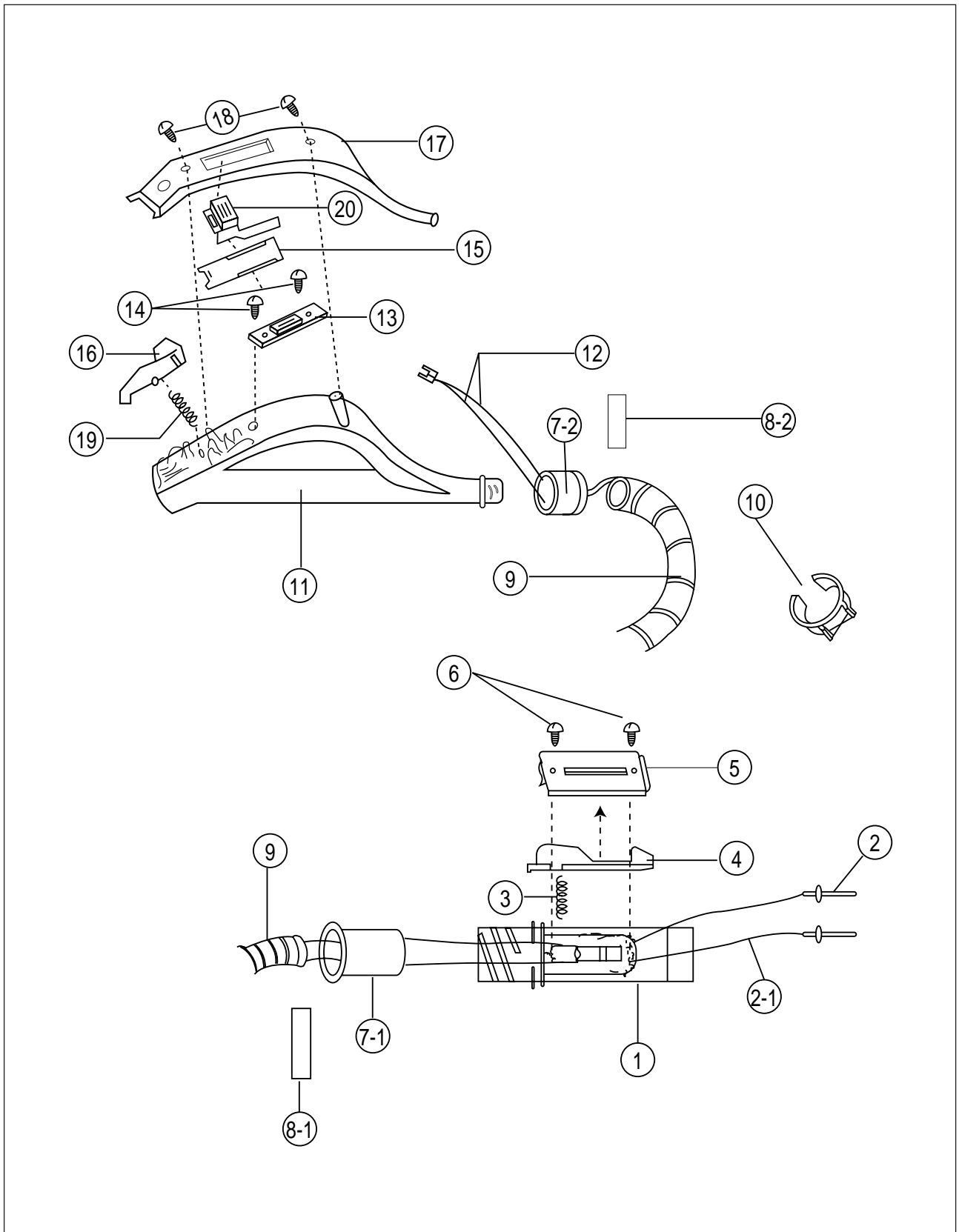
| NO | PART NAME | PART CODE | SPECS. | QTY | NOTE |
|----|------------|------------|--------|-----|------|
| 1 | VALVE DM | 3625400100 | LDPE | 1 | |
| 2 | PACKING DM | 3624000400 | S-PVC | 1 | |
| 3 | DUST METER | 4560F23030 | ABS | 1 | |
| 4 | DUST METER | 4560F23060 | ABS | 1 | |
| 5 | HOUSING | 4560F23010 | SAN | 1 | |
| 6 | SPRING | 3625100700 | SUS | 1 | |
| 7 | ELBOW | 3627100300 | PVC DM | 1 | |

CORD REEL ASSEMBLY



| NO | PART NAME | PART CODE | SPECS. | QTY | NOTE |
|----|-----------------|------------|-------------------------|-------|--------|
| 1 | SCREW TAPPING | 7121401411 | T2S PAN 4X14 MFZN | 1 | |
| 2 | BRACKET CR | 3620600600 | ABS | 1 | |
| 3 | HARNESS | 3622707700 | HO+Y-TER+FUSE(T15A)+T85 | 1 | JAPAN |
| | | 3622706620 | HO+Y-TER+T85 | | 220V |
| | | 3622707000 | HO+Y-TER+FUSE(T12A)+T85 | | 110V |
| | | 3622706610 | HO+Y-TER+T85 | | SEMKO |
| | | 3622707010 | HO+Y-TER+FUSE(T10A)+T85 | | JAPAN |
| | | 3622707020 | HO+Y-TER+FUSE(T10A) | | |
| 4 | SCREW TAPPING | 7121400611 | T2S PAN 4X6 MFZN | 2 | |
| 5 | TERMINAL | 4565A36024 | C2600-1/2H TO.3 | 1 | |
| 6 | TERMINAL | 4565A36034 | C2600-1/2H TO.3 | 1 | |
| 7 | BOBBIN | 4569C35011 | ABS | 1 | |
| 8 | POWER CORD | 4560F38020 | 125/12A JAPAN | 1 | JAPAN |
| | | WKH14N7811 | K H05VV 2X0.75 5.4M | | ISREAL |
| | | 3621300600 | 250V/7A, 6.3M | | |
| | | 4565A38010 | 250V/7A, 5M | | |
| | | 4568F38022 | 250V/7A, 5M, 4PI PIN | | CHILE |
| | | 4569A36010 | 300VAC 15A CLASS-2 | | SEMKO |
| | | 3621300900 | 125V/12A, 6M, JAPAN | | JAPAN |
| 9 | HOLDER TERMINAL | 4565A36010 | ABS | 1 | |
| 10 | SCREW TAPPING | 7121401211 | T2S PAN 4X12 MFZN | 1 | |
| 11 | SHAFT CR | 4569C35050 | ABS | 1 | |
| 12 | SPRING AS | 3625102000 | SUS-301-EH+COVER | 1 | |
| 13 | SCREW TAPPING | 7121300811 | T2S PAN 3X8 MFZN | 1 | |
| 14 | LABEL | 3623507600 | STICKER | 1 | JAPAN |
| 15 | WAX VASELINE | 2291140301 | VASELINE | 0.002 | |
| 16 | SCREW TAPPING | 7121300811 | T2S PAN 3X8 MFZN | 1 | |

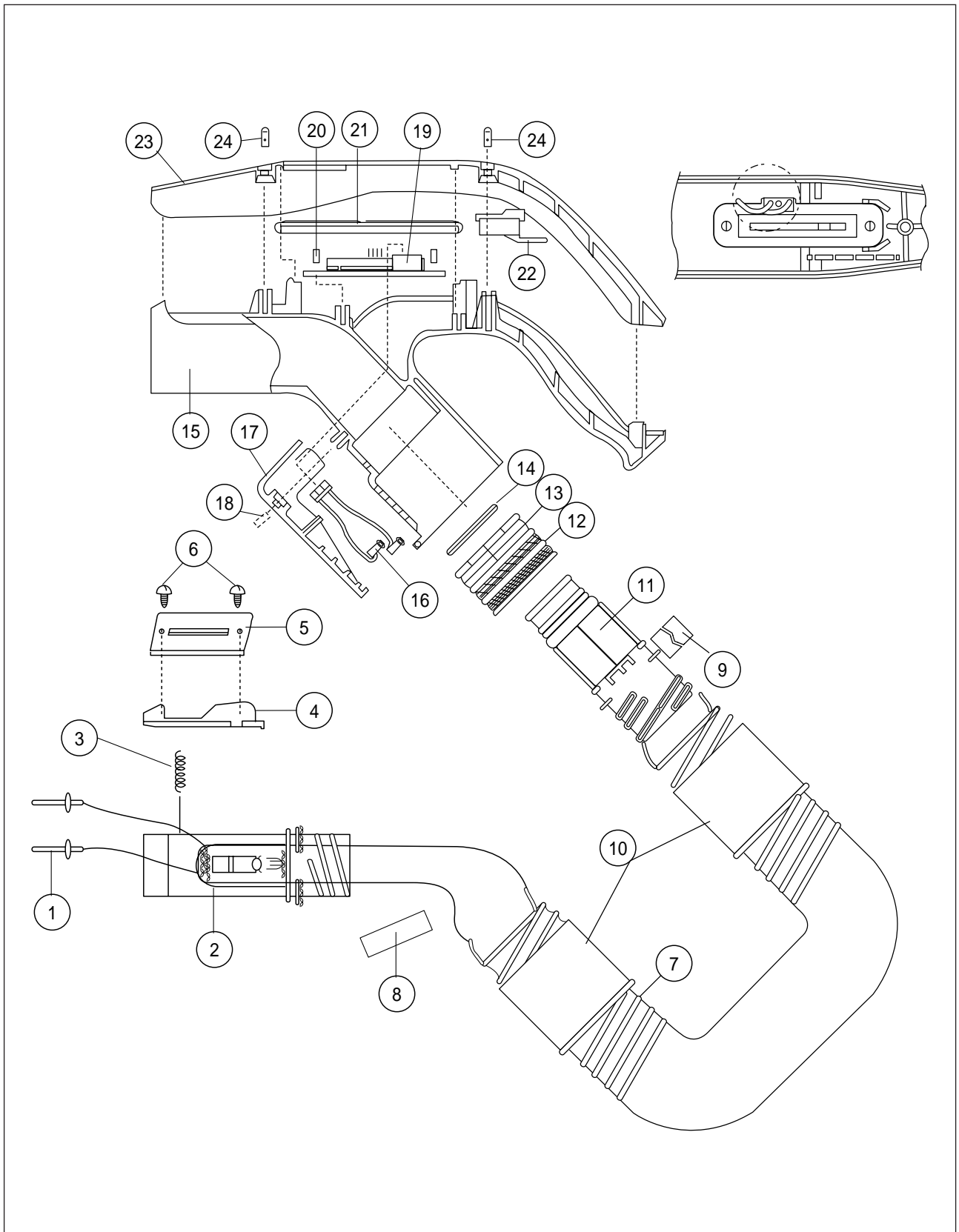
HOSE LINE ASSEMBLY (I)



| NO | PART NAME | PART CODE | SPECS. | QTY | NOTE |
|----|---------------|------------|-----------------------|-----|------|
| 1 | PIPE | 3624402900 | ABS | 1 | |
| 2 | TERMINAL AS | 3628705700 | TERMINAL +WIRE | 2 | |
| 3 | SPRING | 3625101700 | HSW3 | 1 | |
| 4 | BUTTON | 3626601000 | ABS | 1 | |
| 5 | COVER | 3621404600 | ABS | 1 | |
| 6 | SCREW TAPPING | 7121300812 | T2S PAN 3X8 MFZN BK | 2 | |
| 7 | COVER HOSE | 4565A70040 | PP | 2 | |
| 8 | TAPE VINYL | 2TU00019BK | 19MM BLACK | 0.3 | |
| 9 | HOSE | 4565A71001 | PVC+SWRS 1.32M | 1 | |
| 10 | HOSE HOOK | 4565F77000 | PP | 1 | |
| 11 | PIPE | 3624400400 | ABS | 1 | |
| 12 | WIRE LEAD | 8YS20018YW | WIRE+TERMINAL | 2 | |
| 13 | PCB S/V AS | 3624304800 | 500K | 1 | |
| | | 3624303900 | 200K | | |
| 14 | SCREW TAPPING | 7121300811 | T2S PAN 3X8 MFZN | 2 | |
| 15 | PLATE | 3624500200 | ABS | 1 | |
| 16 | KNOB | 3623400100 | PC | 1 | |
| 17 | COVER PIPE | 3621401300 | ABS | 1 | |
| 18 | SCREW TAPPING | 7121301212 | T2S PAN 3X12 MFZN, BK | 2 | |
| 19 | SPRING | 3625100500 | HSW3 | 1 | |
| 20 | BUTTON PIPE | 3626600200 | ACETAL | 1 | |

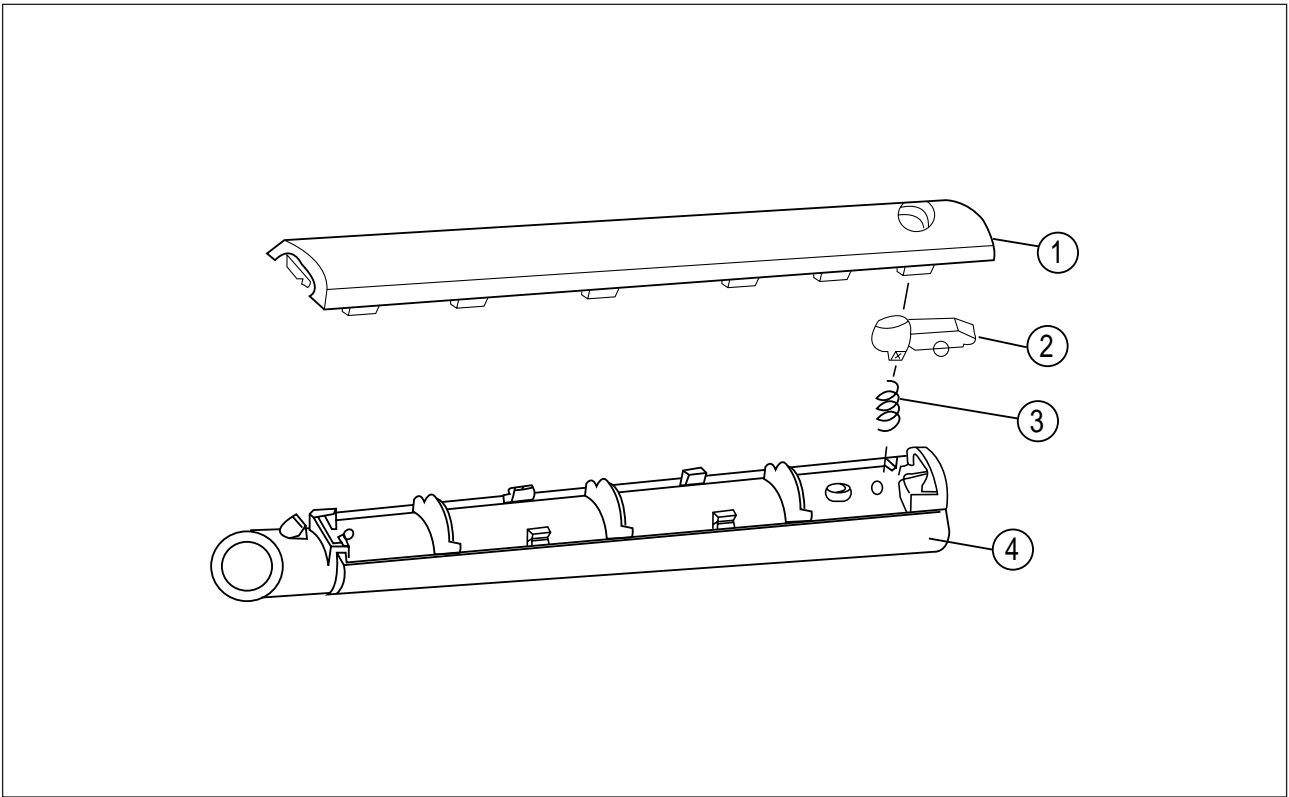
| NO | PART NAME | PART CODE | SPECS. | QTY | NOTE |
|----|--------------------|------------|---------------------|-----|------------------|
| 1 | PIPE | 3624402900 | ABS | 1 | |
| 2 | TERMINAL AS | 3628705700 | TERMINAL +WIRE | 2 | |
| 3 | SPRING | 3625101700 | HSW3 | 1 | |
| 4 | BUTTON | 3626601000 | ABS | 1 | |
| 5 | COVER | 3621404600 | ABS | 1 | |
| 6 | SCREW TAPPING | 7121300812 | T2S PAN 3X8 MFZN BK | 2 | |
| 7 | COVER HOSE | 4565A70040 | PP | 2 | |
| 8 | TAPE VINYL | 2TU00019BK | 19MM BLACK | 0.3 | |
| 9 | HOSE | 4565A71001 | PVC+SWRS 1.32M | 1 | |
| 10 | FRAME | 4560K70080 | ABS | 1 | |
| 11 | RING AIR AJUSTMENT | 4560F70150 | PP | 1 | |
| 12 | PIPE HOSE | 4560F70130 | PP | 1 | |
| 13 | DAMPER | 3626900100 | CR | 1 | |
| 14 | SCREW TAPPING | 7121300812 | T2S PAN 3X8 MFZN BK | 3 | |
| 15 | COVER | 4560K70120 | ABS | 1 | |
| 16 | KNOB SLIDE | 4560K70150 | PC | 2 | |
| 17 | PLATE | 4560K70090 | ABS | 1 | |
| 18 | SCREW TAPPING | 7001200310 | PAN M 2X3 | 2 | |
| 19 | PLATE VLOUME | 4569G25050 | SPG | 1 | |
| 20 | VOLUME SLIDE | 5V2504005B | 500K | 1 | 220V, 230V, 240V |
| | | 5V2204003B | 200K | | 100V, 110V |
| 21 | WIRE | 8YS12018YW | VSF 12/0.18 | 1 | |
| 22 | HOOK HOSE | 4565F77000 | PP | 1 | |

HOSE LINE ASSEMBLY (III)



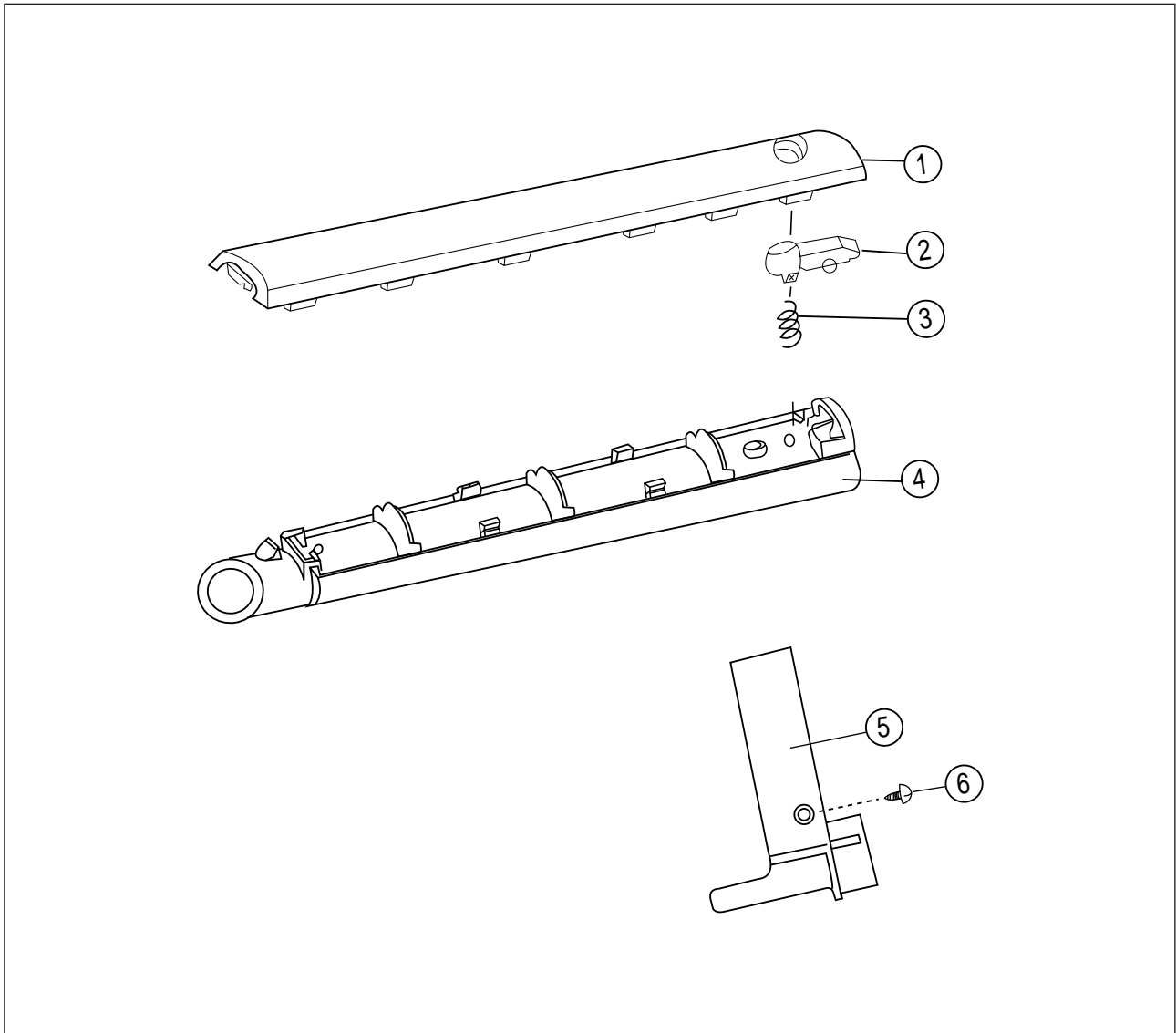
| NO | PART NAME | PART CODE | SPECS. | QTY | NOTE |
|----|----------------|------------|---------------------|-------|------|
| 1 | PIPE | 3624402900 | ABS | 1 | |
| 2 | TERMINAL AS | 3628705700 | TERMINAL +WIRE | 2 | |
| 3 | SPRING | 3625101700 | HSW3 | 1 | |
| 4 | BUTTON | 3626601000 | ABS | 1 | |
| 5 | COVER | 3621404600 | ABS | 1 | |
| 6 | SCREW TAPPING | 7121300812 | T2S PAN 3X8 MFZN BK | 2 | |
| 7 | HOSE | 3623202900 | PVC-S/SWRS | 1 | 1.3M |
| | | 3623202920 | | | 1.5M |
| | | 3623202930 | | | 1.8M |
| 8 | TAPE VINYL | 2TU00019BK | 19MM BLACK | 0.5 | |
| 9 | COVER HOSE | 4565A70040 | PP | 2 | |
| 10 | ADAPTER PIPE | 3629100400 | ABS | 1 | |
| 11 | FRAME TERMINAL | 3622200700 | FRAME+TERMINAL AS | 1 | |
| 12 | FRAME TERMINAL | 3622200600 | ABS | 1 | |
| 13 | PACKING PIPE | 3624002400 | NBR | 1 | |
| 14 | WAX SILICON | 2291140301 | TSC987 1CAN-200g | 0.001 | |
| 15 | PIPE HOSE | 3624403800 | ABS | 1 | |
| 16 | TERMINAL AS | 3628704600 | TERMINAL+WIRE+RECEP | 2 | |
| 17 | COVER TERMINAL | 3621409000 | ABS | 1 | |
| 18 | SCREW TAPPING | 7121301011 | T2S PAN 3X10 MFZN | 1 | |
| 19 | PCB S/V AS | 3624303900 | 200K | 1 | |
| | | 3624304800 | 500K | | |
| 20 | SCREW TAPPING | 7121300800 | T2S PAN 3X8 | 2 | |
| 21 | PLATE | 3624500200 | ABS | 1 | |
| 22 | KNOB | 3623400100 | PC | 1 | |
| 23 | COVER PIPE | 3621409700 | ABS | 2 | |
| 24 | SCREW TAPPING | 7121301211 | T2S PAN 3X12 MFZN | 1 | |

PIPE ASSEMBLY (I-1)



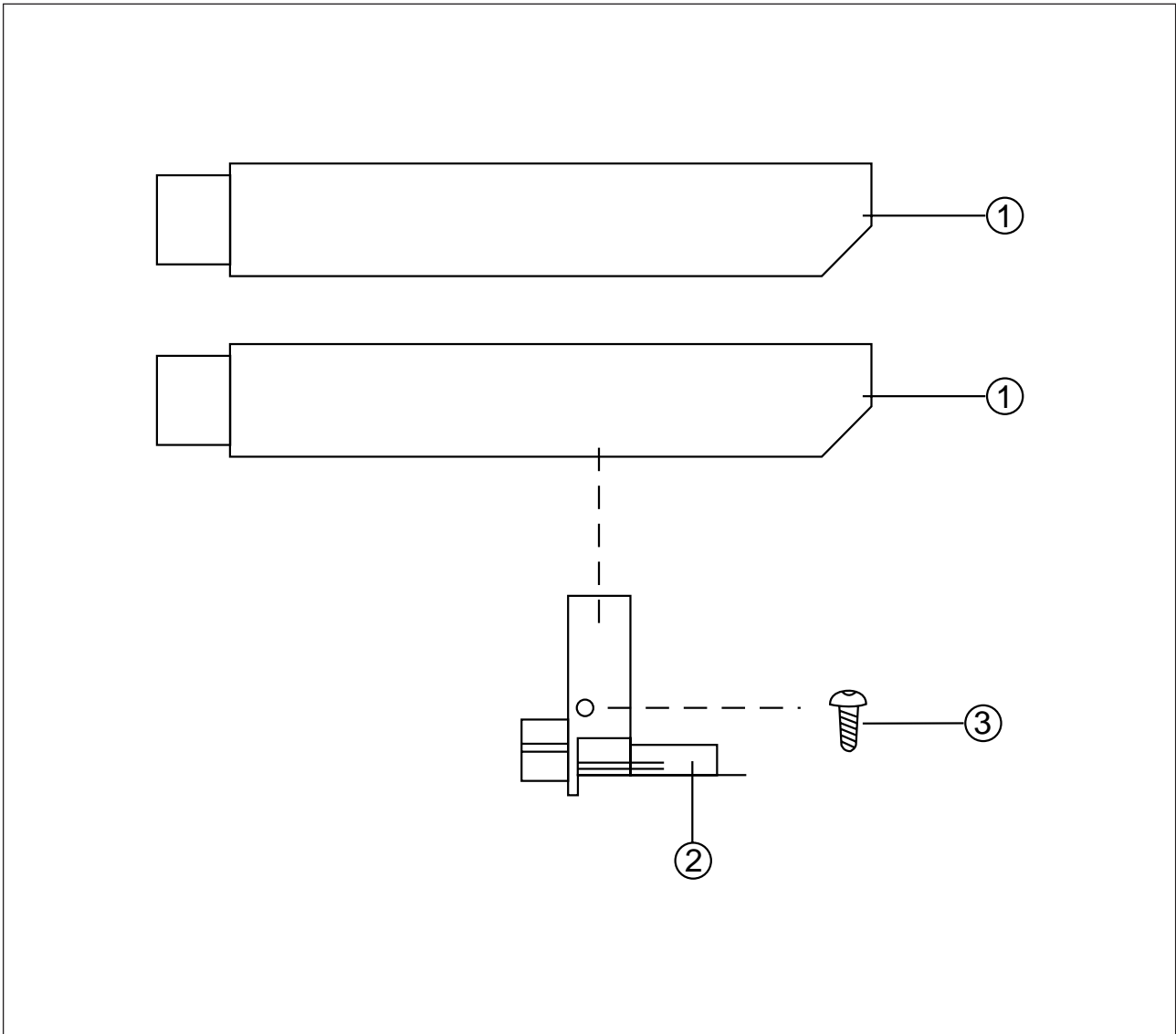
| NO | PART NAME | PART CODE | SPECS. | QTY | NOTE |
|----|-----------|------------|--------|-----|------|
| 1 | COVER | 3621401000 | ABS | 1 | |
| 2 | BUTTON | 3626600200 | POM | 1 | |
| 3 | SPRING | 3625100500 | HSW3 | 1 | |
| 4 | PIPE | 3624400500 | ABS | 1 | |

PIPE ASSEMBLY (I-2)



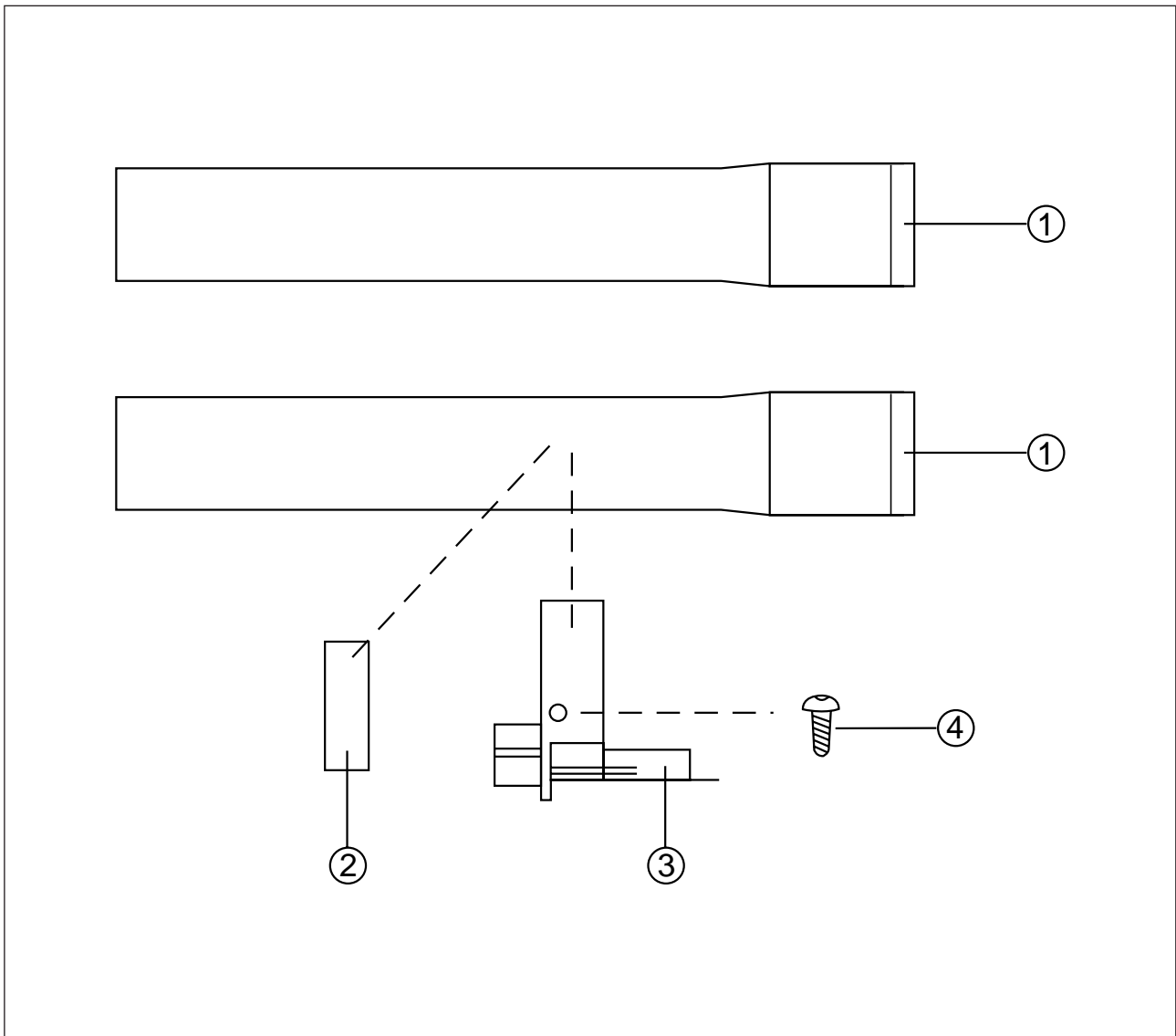
| NO | PART NAME | PART CODE | SPECS. | Q_iTY | NOTE |
|----|---------------|------------|-------------------|-------|------|
| 1 | COVER | 3621401000 | ABS | 1 | |
| 2 | BUTTON | 3626600200 | POM | 1 | |
| 3 | SPRING | 3625100500 | HSW3 | 1 | |
| 4 | PIPE | 3624400500 | ABS | 1 | |
| 5 | HOLDER | 3623000500 | ABS | 1 | |
| 6 | SCREW TAPPING | 7121401411 | T2S PAN 4X14 MFZN | 1 | |

PIPE ASSEMBLY (II)



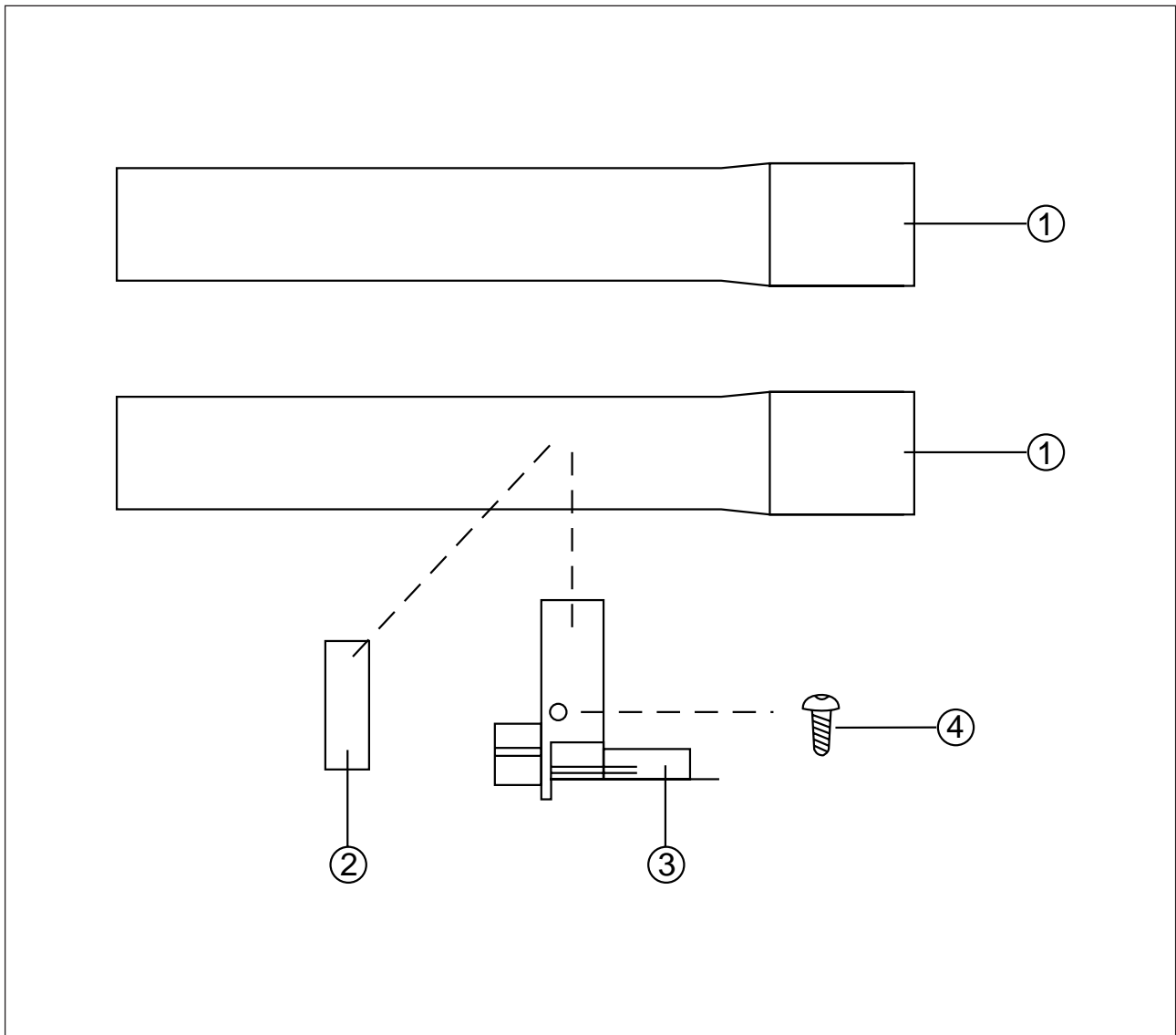
| NO | PART NAME | PART CODE | SPECS. | QTY | NOTE |
|----|----------------|------------|-------------------|-----|------|
| 1 | PIPE EXTENSION | 4560F75030 | ABS | 2 | |
| 2 | HOLDER PIPE | 3623002200 | ABS | 1 | |
| 3 | SCREW TAPPING | 7121401411 | T2S PAN 4X14 MFZN | 1 | |

PIPE ASSEMBLY (III)



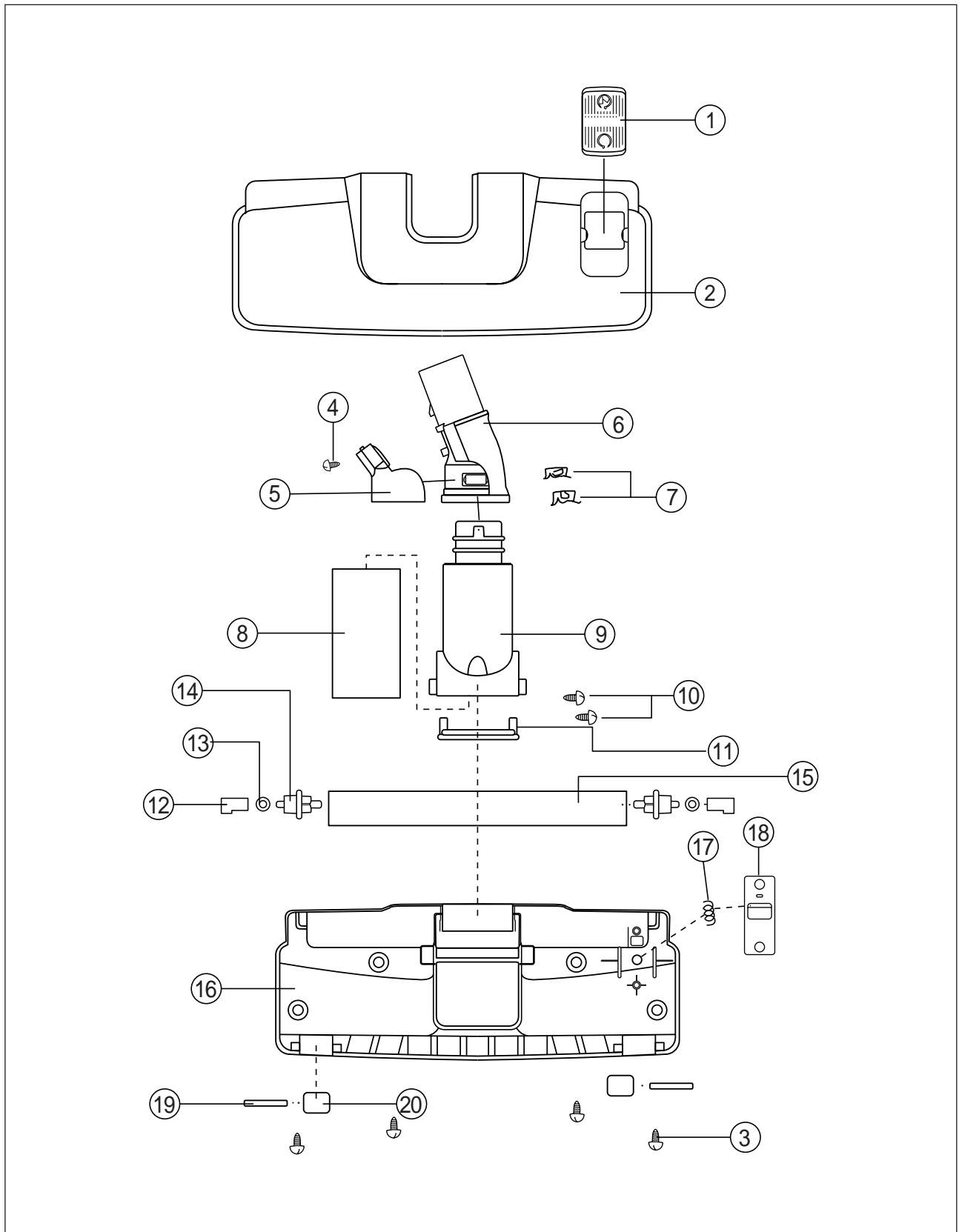
| NO | PART NAME | PART CODE | SPECS. | QTY | NOTE |
|----|---------------|------------|-------------------|-----|------|
| 1 | PIPE | 3624403500 | HDPE+SPC | 2 | |
| 2 | SPACER | 3625000400 | EVA POAM T=1.5 | 1 | |
| 3 | HOLDER PIPE | 3623001900 | ABS | 1 | |
| 4 | SCREW TAPPING | 7121401411 | T2S PAN 4X14 MFZN | 1 | |

PIPE ASSEMBLY (IV)



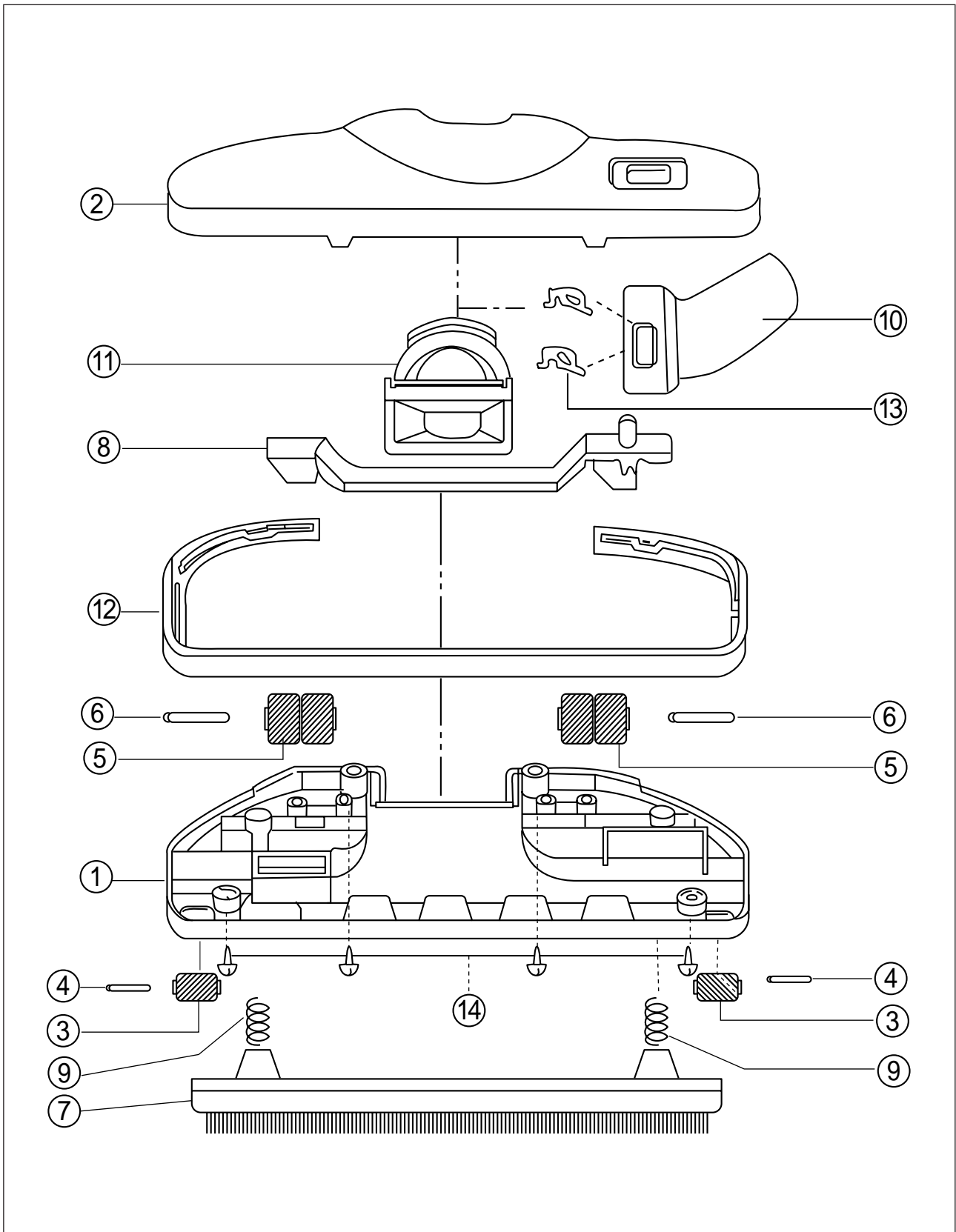
| NO | PART NAME | PART CODE | SPECS. | Q_iTY | NOTE |
|----|---------------|------------|-------------------|-------|------|
| 1 | PIPE | 3624403600 | PP T=2.5 | 2 | |
| 2 | SPACER | 3625000400 | EVA POAM T=1.5 | 1 | |
| 3 | HOLDER PIPE | 3623001900 | ABS | 1 | |
| 4 | SCREW TAPPING | 7121401411 | T2S PAN 4X14 MFZN | 1 | |

SUCTION BRUSH ASSEMBLY (I)



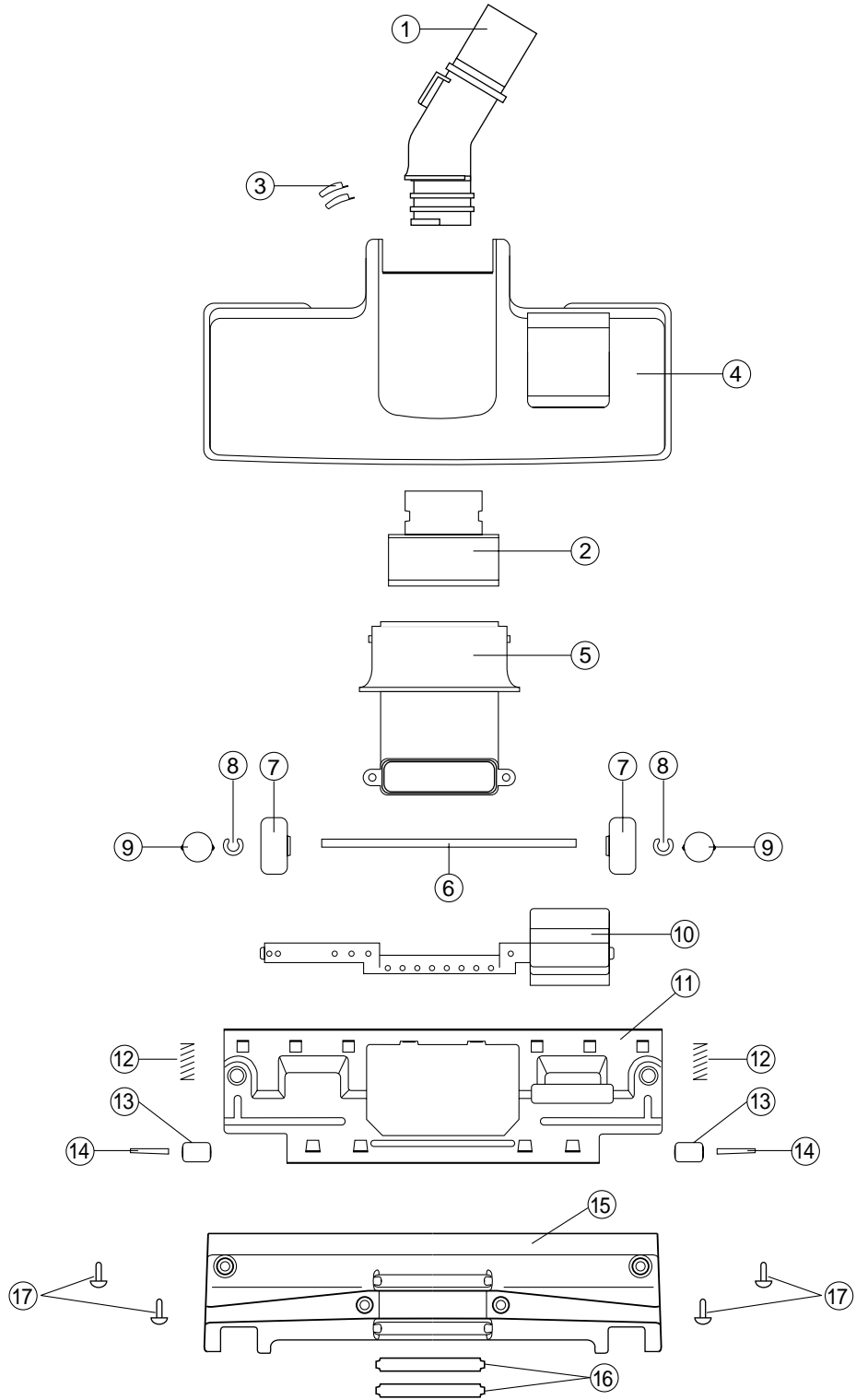
| NO | PART NAME | PART CODE | SPECS. | QTY | NOTE |
|----|----------------|------------|---------------------|-----|------|
| 1 | BUTTON | 3626600700 | ABS | 1 | |
| 2 | COVER | 3612403400 | ABS+PVC | 1 | |
| 3 | SCREW TAPPING | 7121401411 | T2S PAN 4X14 MFZN | 4 | |
| 4 | SCREW TAPPING | 7121300812 | T2S PAN 3X8 MFZN BK | 1 | |
| 5 | COVER | 3621402600 | ABS | 1 | |
| 6 | PIPE | 3624401400 | ABS | 1 | |
| 7 | HOOK | 3623100100 | PA | 2 | |
| 8 | ABSORBER | 3620101900 | PVA FOAM | 1 | |
| 9 | NECK | 3628000400 | ABS | 1 | |
| 10 | SCREW TAPPING | 7121402011 | T2S PAN 4X20 MFZN | 2 | |
| 11 | COVER | 3621403300 | ABS | 1 | |
| 12 | BEARING | 3623300400 | PA | 2 | |
| 13 | SPECIAL WASHER | 3626000100 | POLYESTER FILM | 2 | |
| 14 | CUFF | 3626800100 | ABS+SUS | 2 | |
| 15 | BRUSH AS | 3629301900 | ABS NYLON | 1 | |
| 16 | BODY | 3620401800 | ABS | 1 | |
| 17 | SPRING | 3625101500 | HSW3 | 1 | |
| 18 | STOPPER | 3625200400 | ABS | 1 | |
| 19 | PIN | 3628200200 | SWRM MFZN | 2 | |
| 20 | ROLLER | 3624700600 | PA+TPE | 2 | |

SUCTION BRUSH ASSEMBLY (II)



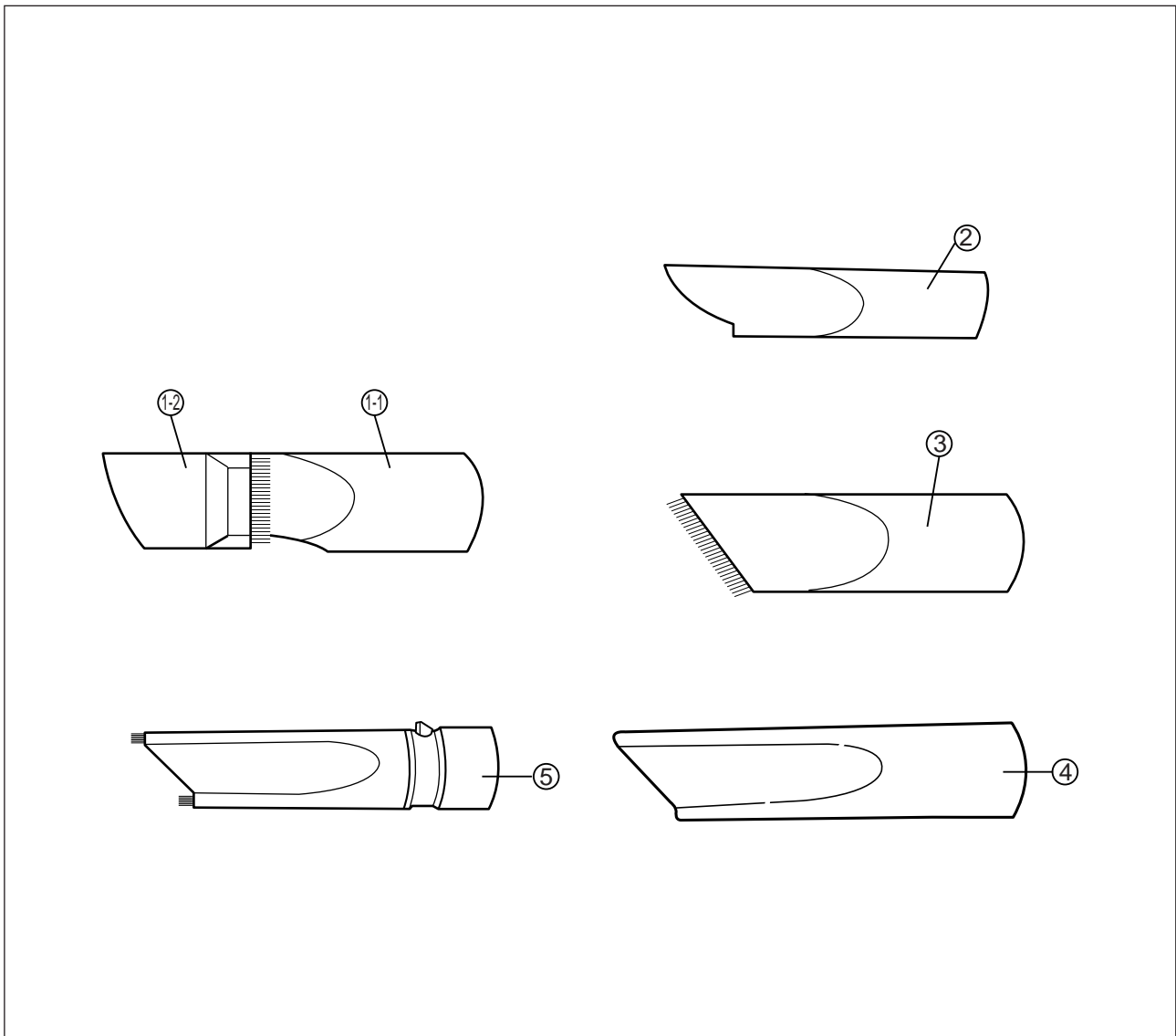
| NO | PART NAME | PART CODE | SPECS. | QTY | NOTE |
|-----------|-------------------|------------------|-------------------|------------|-------------|
| 1 | BODY BRUSH | 4560F90010 | ABS | 1 | |
| 2 | COVER PIPE | 4560F90080 | ABS | 1 | |
| 3 | ROLLER PIPE | 4560F90020 | PP | 2 | |
| 4 | PIN ROLLER | 4560F90110 | SWRM | 2 | |
| 5 | ROLLER BRUSH | 4560F90090 | PP | 2 | |
| 6 | PIN ROLLER | 4560F90120 | SWRM | 2 | |
| 7 | HOLDER PIPE BRUSH | 4568B91001 | ASSY | 1 | |
| 8 | LEVER BRUSH | 4560F90040 | ABS | 1 | |
| 9 | SPRING | 4568B90050 | HSW3 | 2 | |
| 10 | PIPE BRUSH | 4560F90060 | ABS | 1 | |
| 11 | NECK | 4560F90070 | ABS | 1 | |
| 12 | GASKET BRUSH | 4560F90030 | PVC-S | 1 | |
| 13 | HOOK | 3623100100 | POLY AMIDE | 2 | |
| 14 | SCREW TAPPING | 7121401411 | T2S PAN 4X14 MFZN | 4 | |

SUCTION BRUSH ASSEMBLY (III)



| NO | PART NAME | PART CODE | SPECS. | QTY | NOTE |
|----|------------------|------------|-------------------|-----|------|
| 1 | PIPE BRUSH | 3624402400 | PP | 1 | |
| 2 | NECK | 3628000700 | PP | 1 | |
| 3 | HOOK | 3623100100 | PA | 2 | |
| 4 | COVER BRUSH | 3621405400 | PP | 1 | |
| 5 | ROLLER COVER AIR | 3621406200 | PP | 1 | |
| 6 | PIN SHAFT | 3624900400 | SWRM+MFZN | 1 | |
| 7 | ROLLER | 3624701000 | PA+TPE | 2 | |
| 8 | RING E | 7402004011 | ER-4 MFZN | 2 | |
| 9 | CAP ROLLER | 3620901500 | PA | 2 | |
| 10 | PIPE LEVER BRUSH | 3623700800 | ABS | 1 | |
| 11 | PLATE BRUSH AS | 3624500800 | ASSY | 1 | |
| 12 | SPRING | 3625102600 | HSW3 | 2 | |
| 13 | ROLLER | 3624700600 | PA+TPE | 2 | |
| 14 | PIN | 3628200200 | SWRM MFZN | 2 | |
| 15 | PLATE BRUSH | 3624500600 | SUS T=0.5 | 1 | |
| 16 | PICKER LITTER | 3627000100 | ABS+NYLON | 2 | |
| 17 | SCREW TAPPING | 7121401411 | T2S PAN 4X14 MFZN | 4 | |

NOZZLE ASSEMBLY



| NO | PART NAME | PART CODE | SPECS. | QTY | NOTE |
|-----|-----------------|------------|-----------|-----|----------|
| 1 | BRUSH MULTI AS | 4560A67000 | ASSY | 1 | 105, 209 |
| 1-1 | BODY BRUSH | 4560A67111 | PP | 1 | |
| 1-2 | BRUSH MULTI AUX | 4560A67121 | PP+NYLON | 1 | |
| 2 | NOZZLE CREVICE | 4568A24020 | PP | 1 | 170 |
| 3 | NOZZLE CREVICE | 3628100400 | ABS+NYLON | 1 | 105 |
| 4 | NOZZLE | 3628100300 | PP | 1 | 407 |
| 5 | NOZZLE | 3628100100 | PP | 1 | 705 |