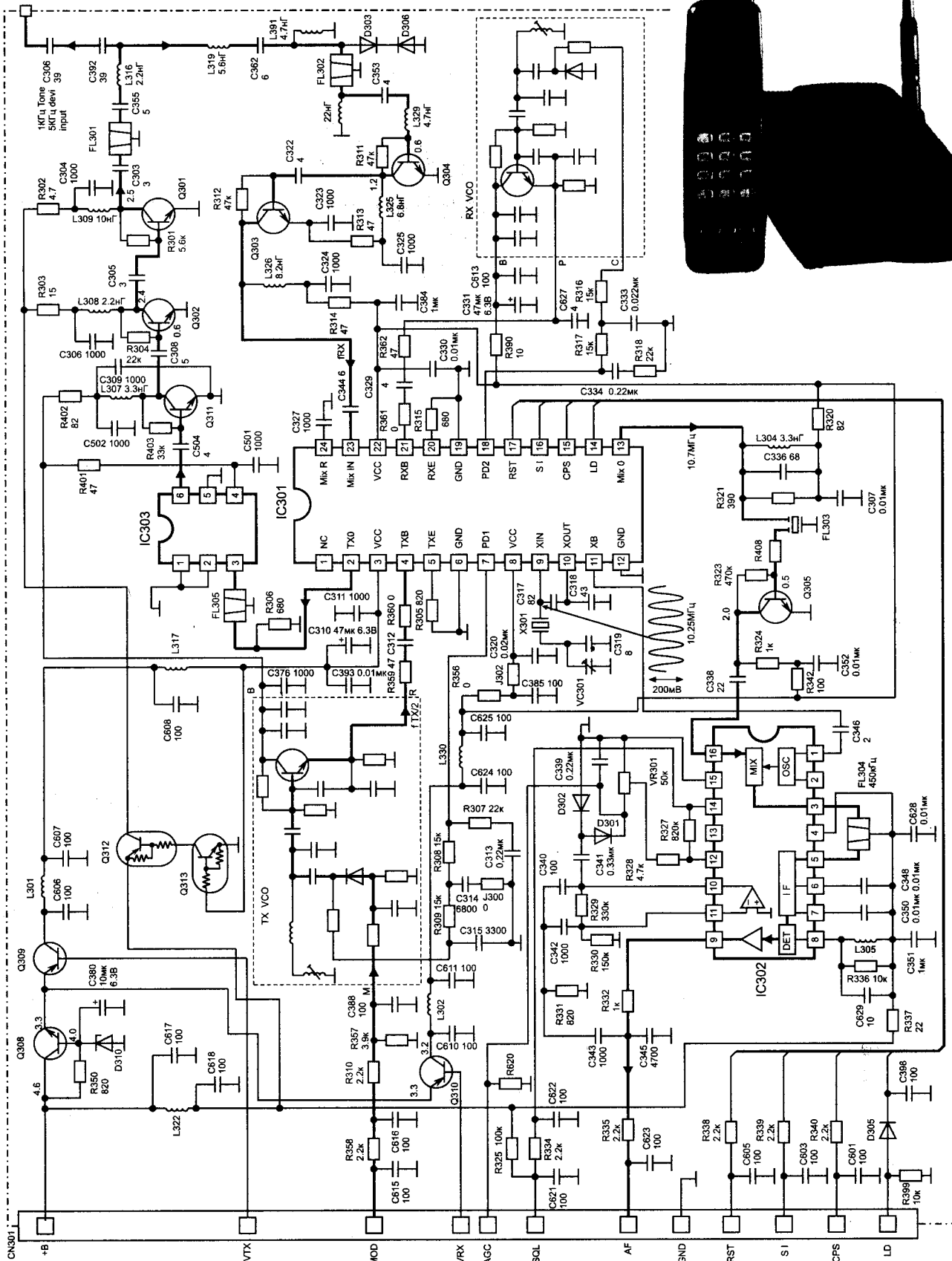


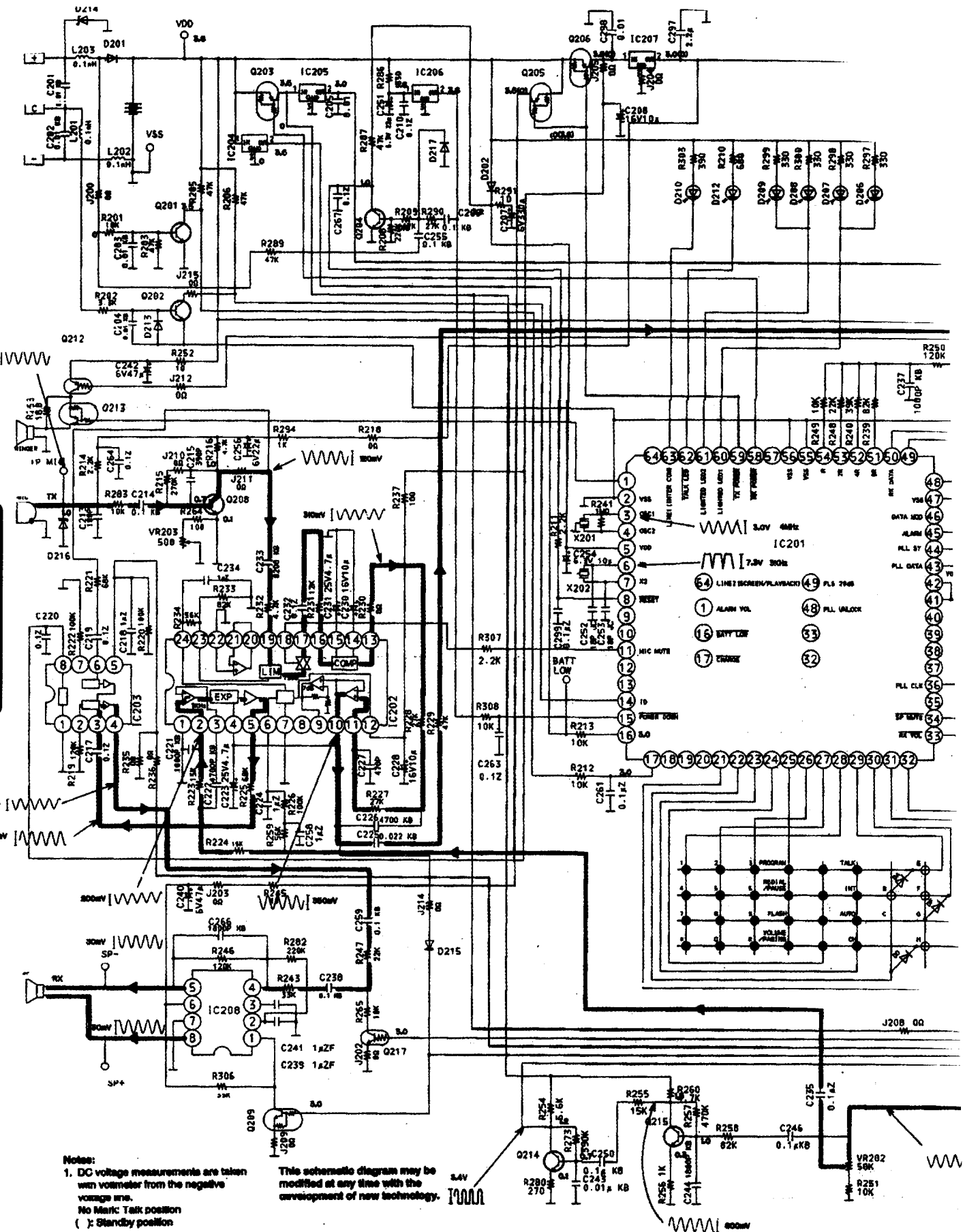
# Радиотелефон «Panasonic KX-TC908XR»



## Радиочастотный блок базы (RF UNIT)



# Основная плата и

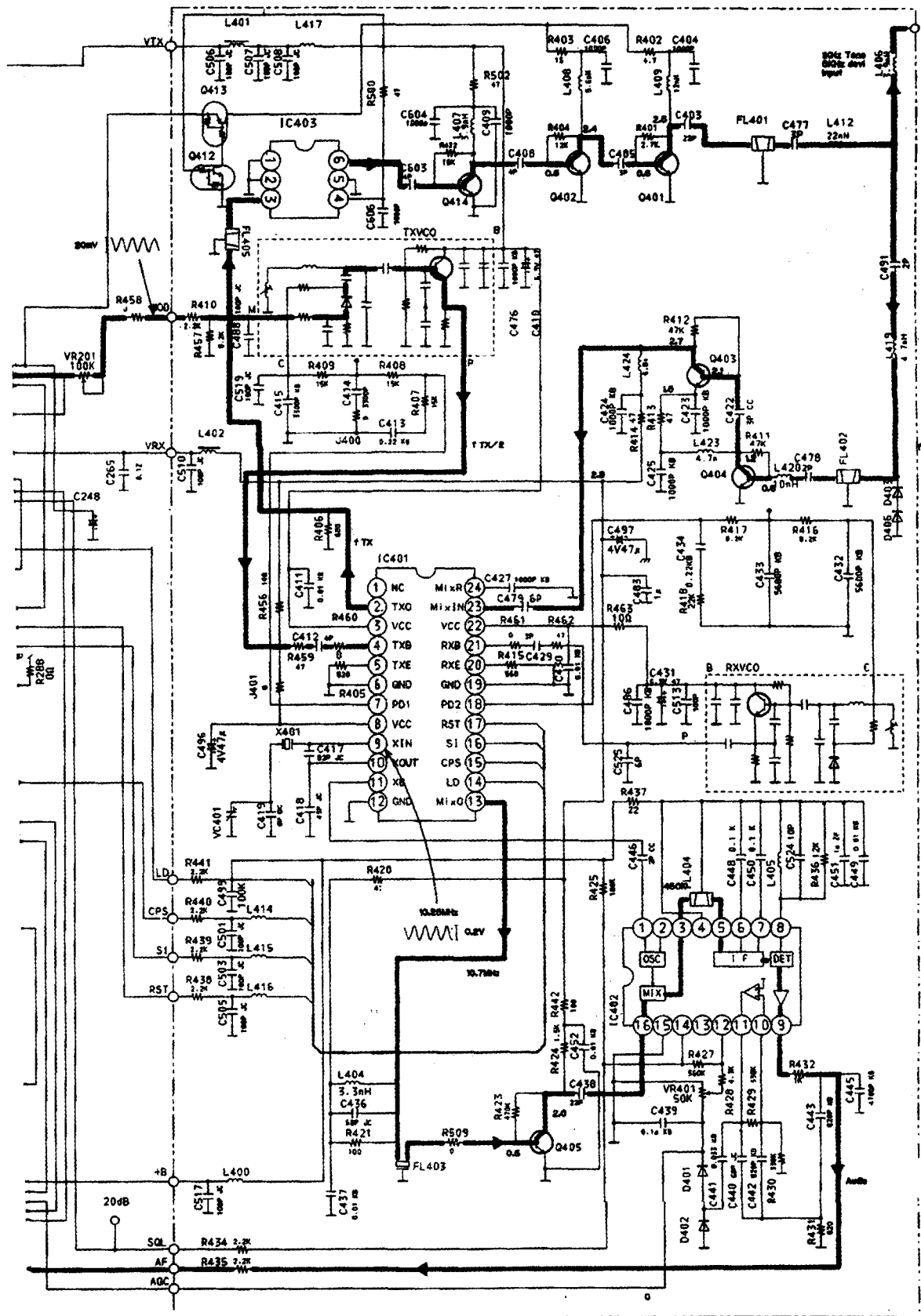


**Notes:**  
 1. DC voltage measurements are taken with voltmeter from the negative voltage wire.  
 No Mark: Talk position  
 ( ): Standby position

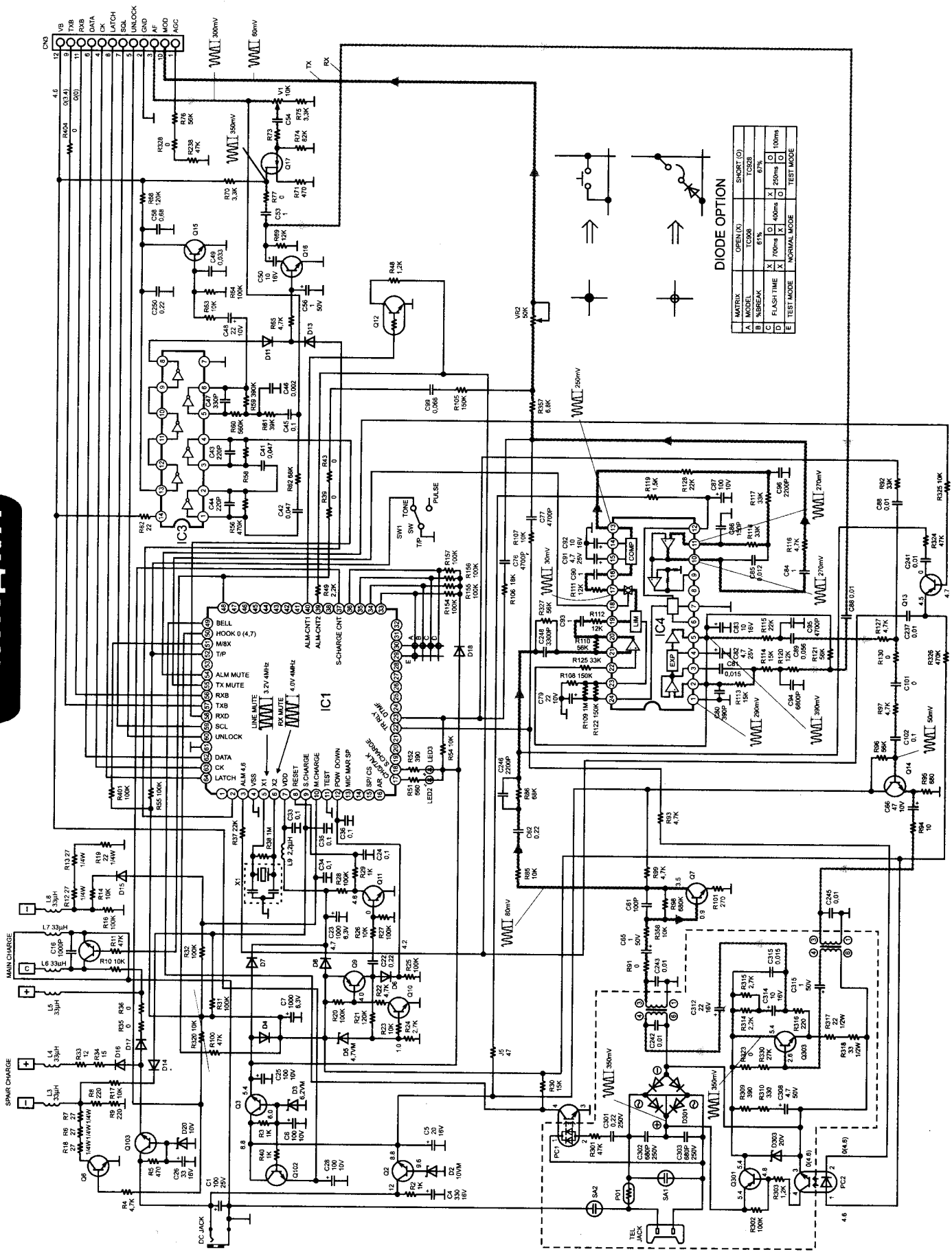
This schematic diagram may be modified at any time with the development of new technology.

3.4V  
 1000

# радиочастотный блок трубки



# Основная плата базы



**DIODE OPTION**

MATRIX	OPEN (V)	SHORT (Ω)
A	CC208	3
B	SUBREAK	61%
C	FLASH TIME	700ms X 400ms X 250ms X 100ms
D	TEST MODE	NORMAL MODE
E	TEST MODE	TEST MODE