



NOTICE

Since this is basic circuit diagram. The value of components and some partial connection are subject to change for improvement without notice.

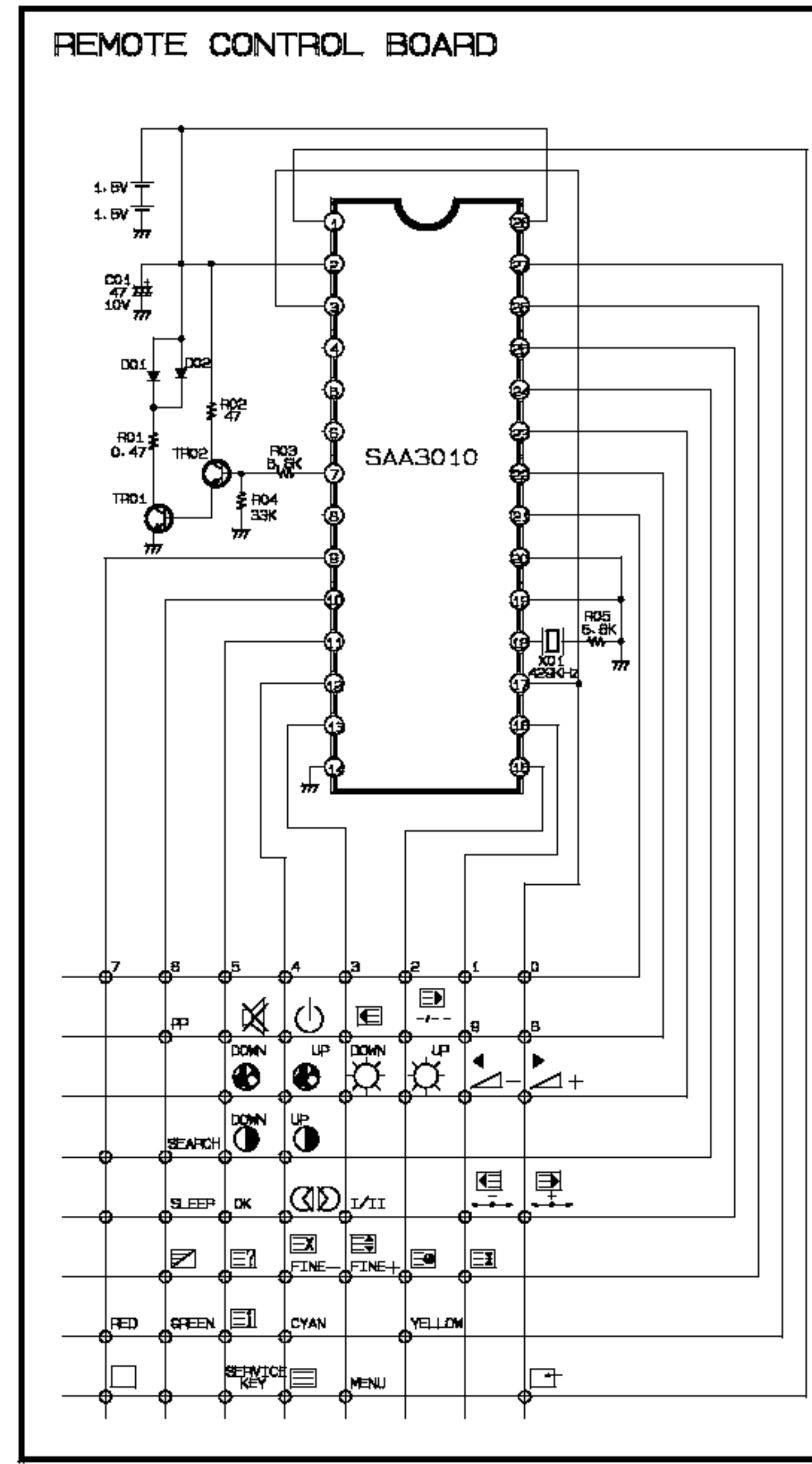
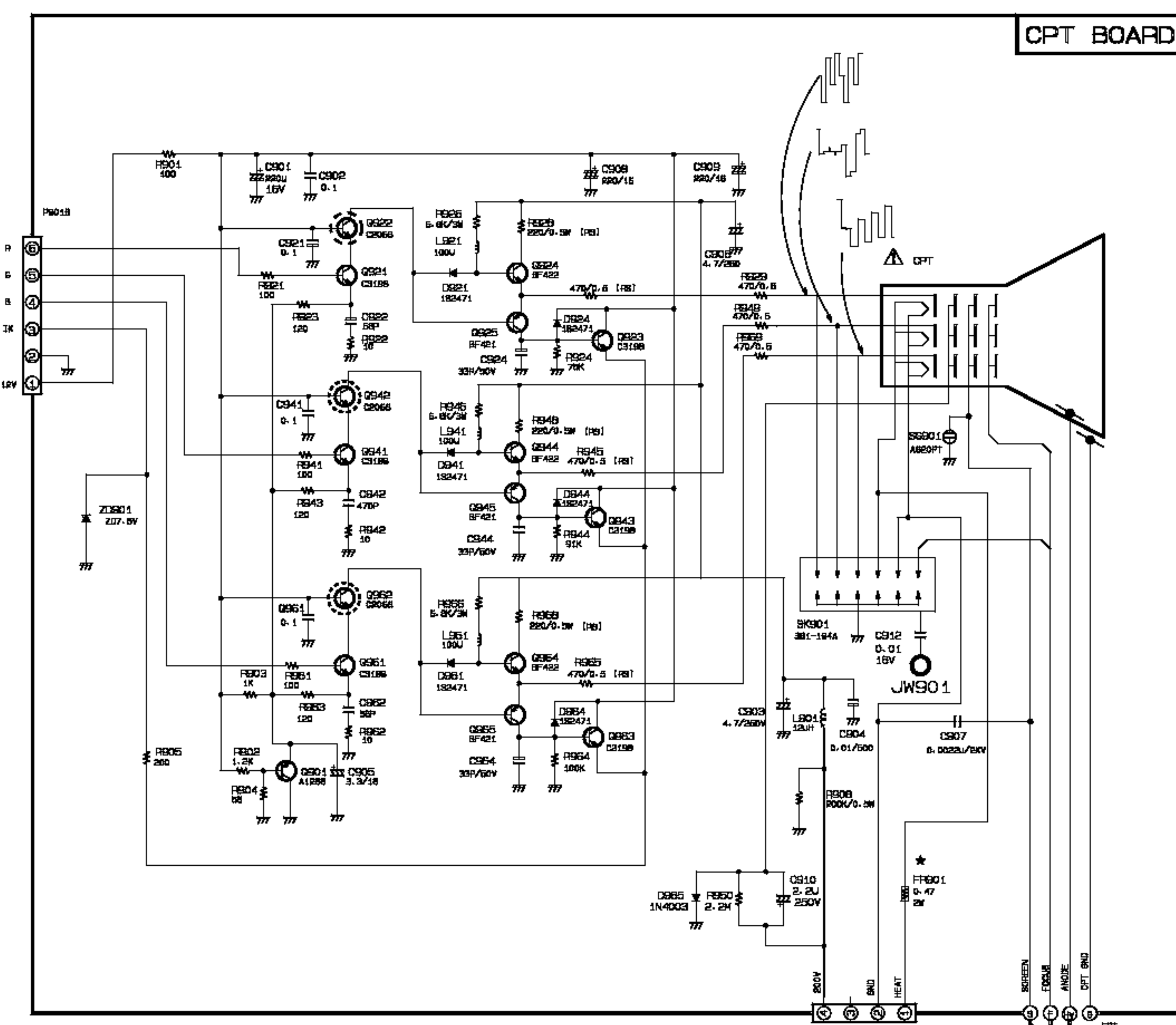
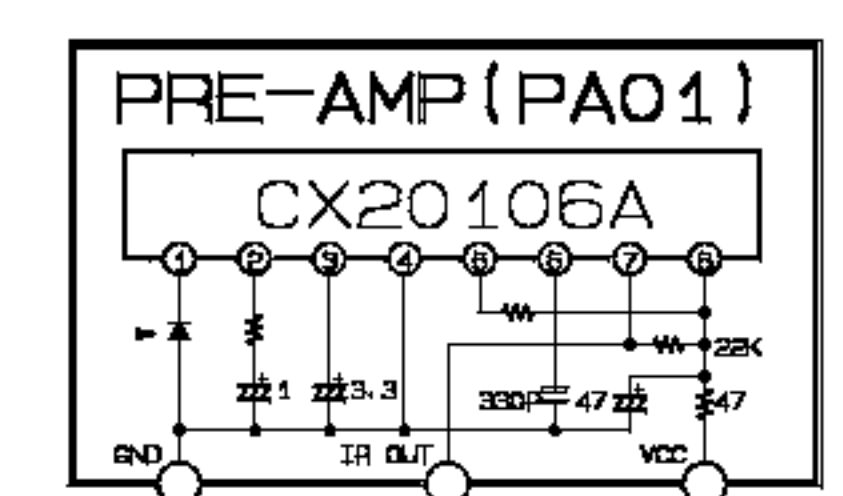
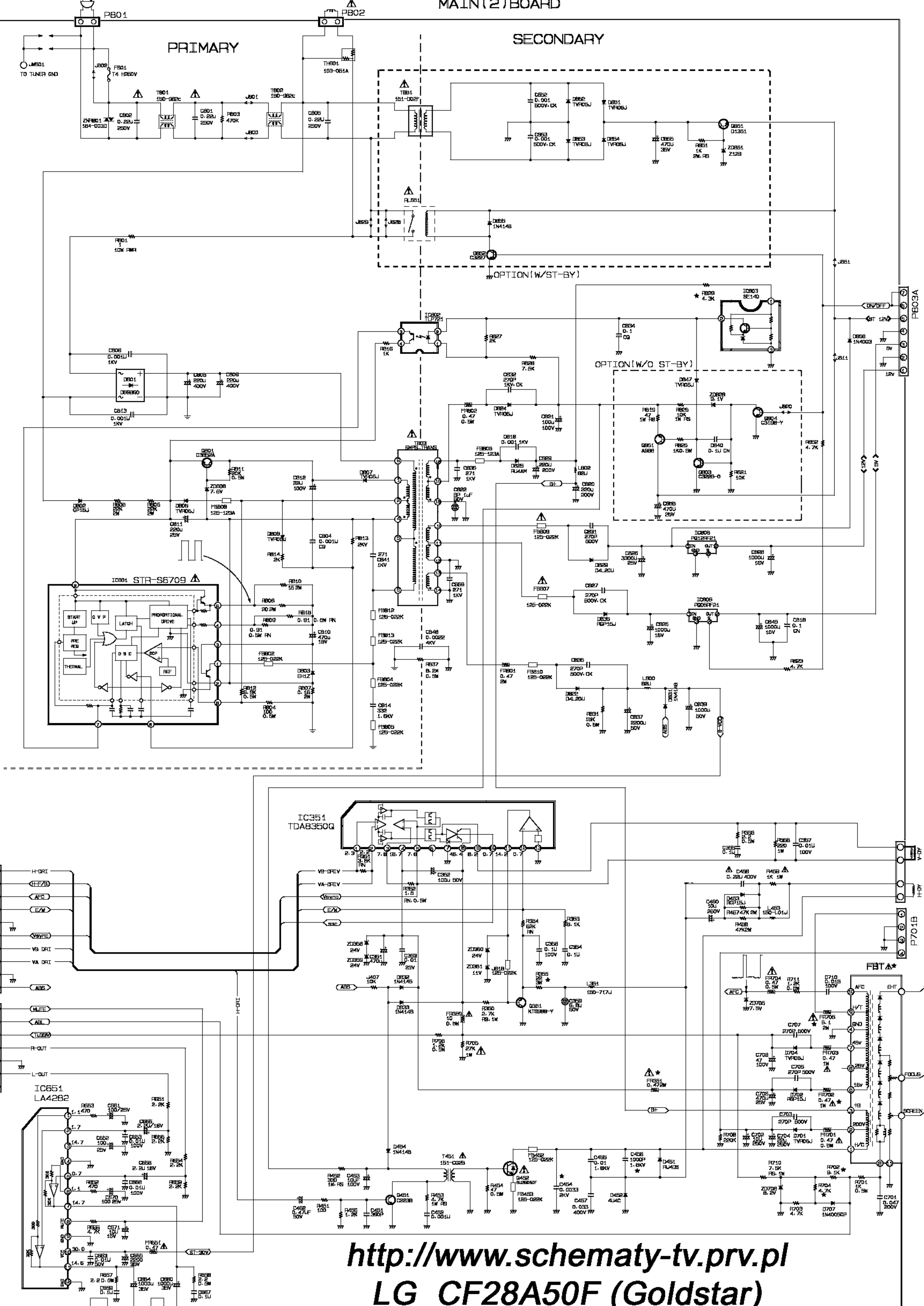
The components marked with a triangle symbol conform to VDE or IEC guide-lines and are essential for safe operation of the TV receiver. While those marked with a square symbol are required for correct operation. Use specified parts only when replacing.

Value of resistor, capacitor and inductor

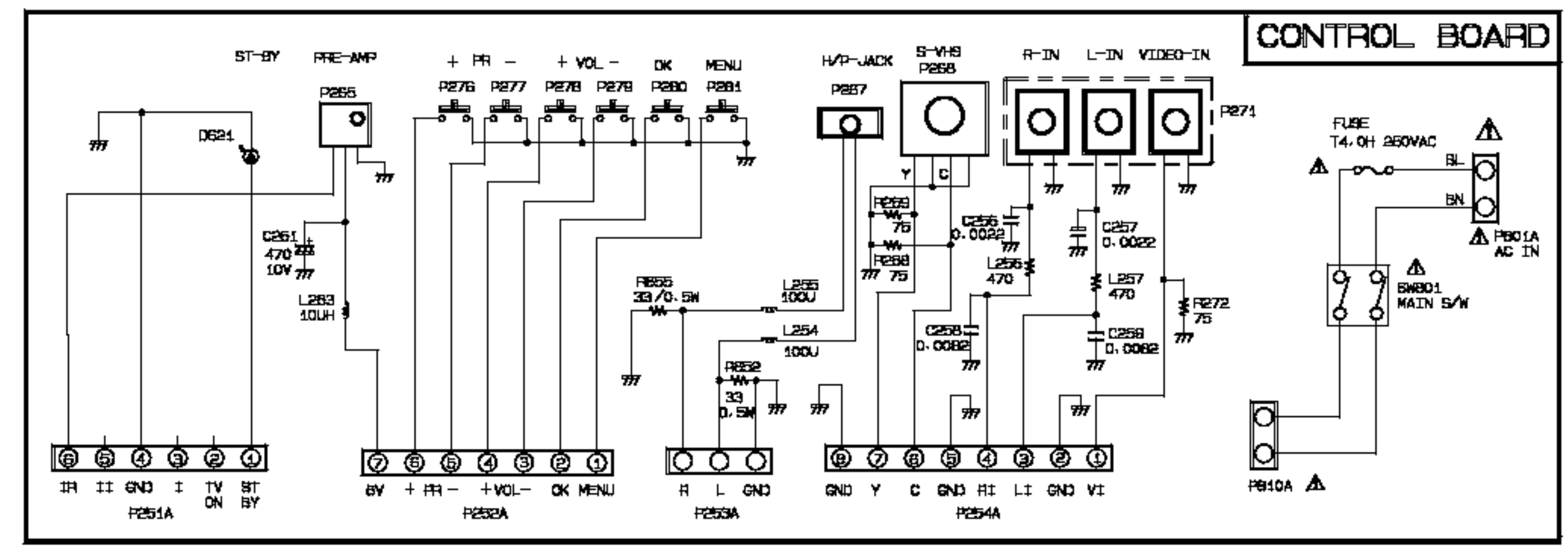
- 1. Resistances are shown in ohm. K=1,000. M=1,000,000.
2. Unless otherwise noted in schematic. All capacitor values less than 1 are expressed in mfd and the values more than 1 in pF.
3. Unless otherwise noted in schematic, all inductor values more than 1 are expressed in uH and the values less than 1 in Henry(H).

Observation of voltages and waveforms

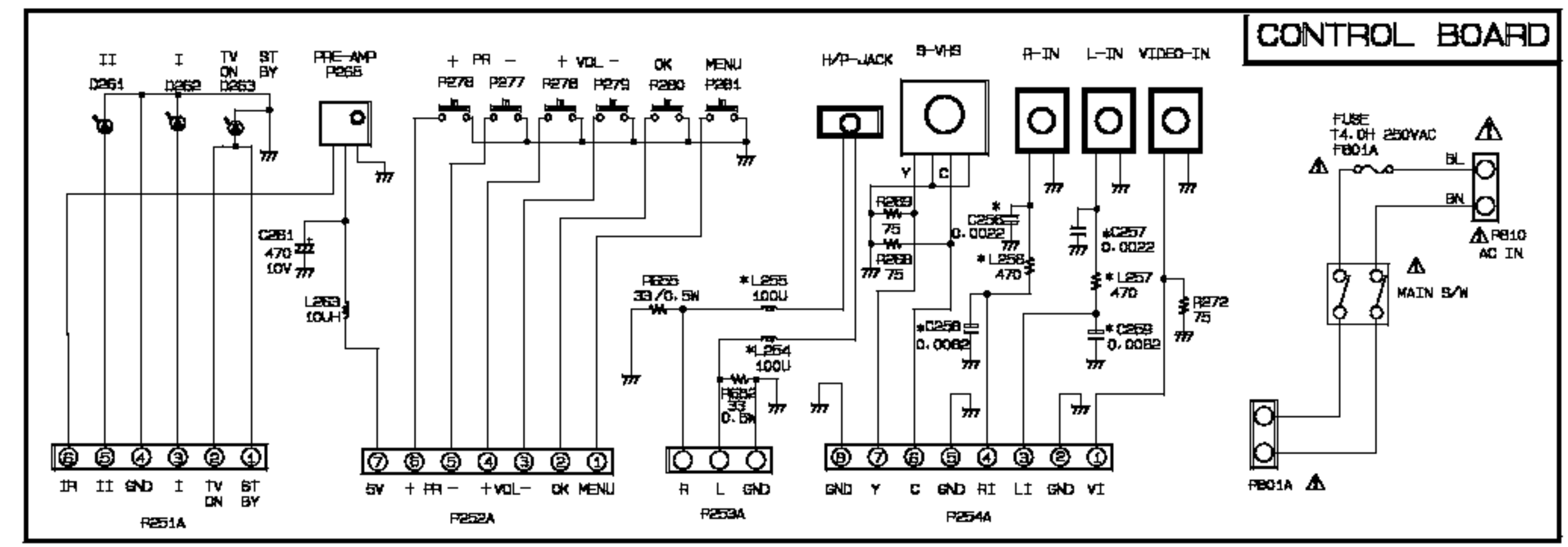
- 1. Voltages read with VTVM from point to chassis ground. line voltage is 230V+-20%. signal pattern is colour-bar.
2. The schematic shown is representative only.
3. All waveforms are taken using a wide band oscilloscope and a low capacity probe.
4. Check FINE TUNING, AGC, CONTRAST, BRIGHTNESS and COLOUR controls for best picture. make sure that COLOUR and BRIGHTNESS are in mid-point and CONTRAST is in 75%.
5. Waveforms are taken using a standard colour signal.



< FOR A50 SERIES >



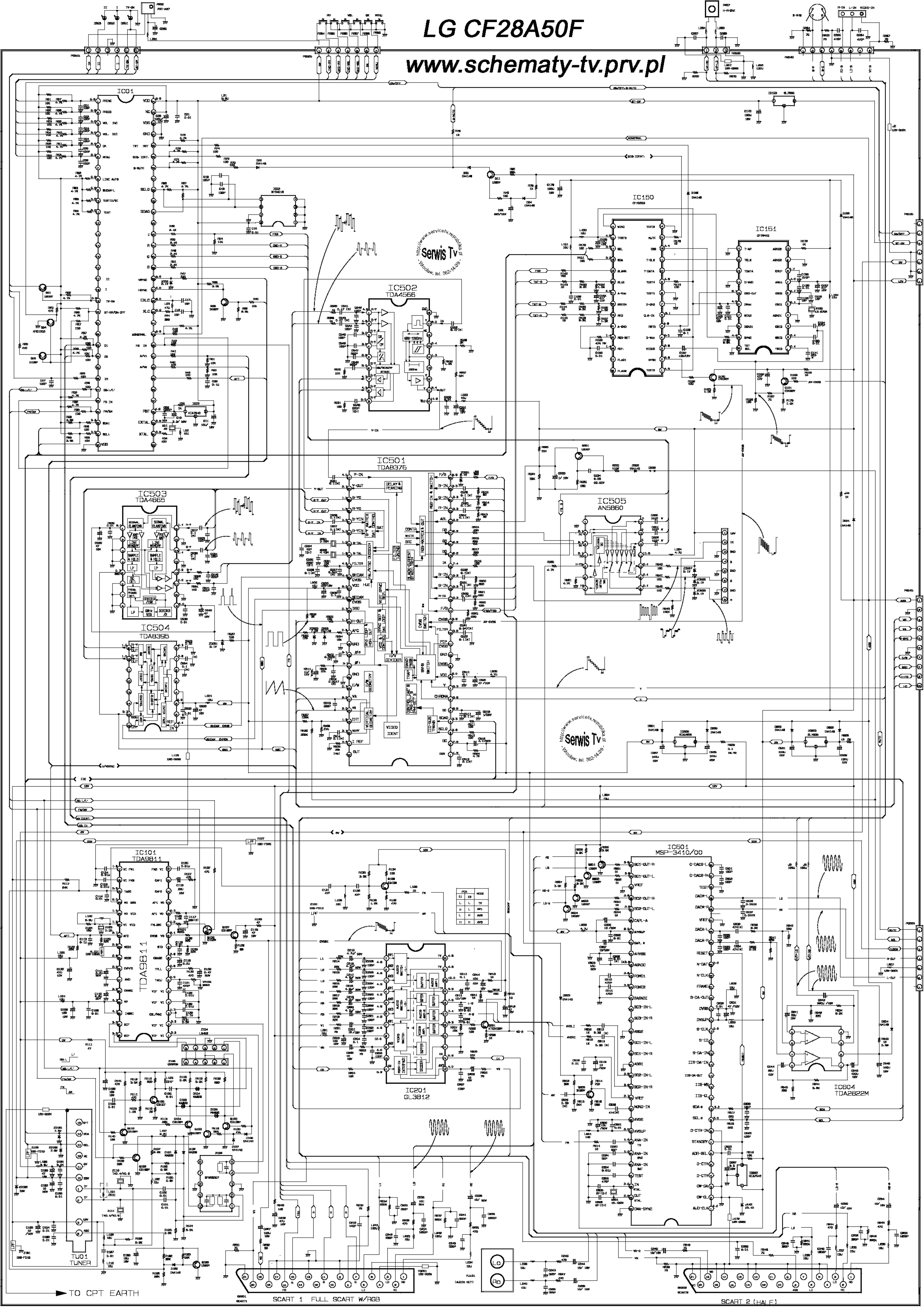
< FOR C28/A28 SERIES >





# LG CF28A50F

www.schematy-tv.prv.pl



www.serwistv.com.pl  
Serwis Tv  
ul. Koszalin 10, 82-100 Koszalin, tel. 82-214-14-99

www.serwistv.com.pl  
Serwis Tv  
ul. Koszalin 10, 82-100 Koszalin, tel. 82-214-14-99

SYM	WZROK
L	L
H	L
L	H
H	H

TO OPT EARTH

SCART 1 FULL SCART W/RGB

SCART 2 (HALF E)