

S/M No. : FR27000010

DAEWOO

Service Manual

Refrigerator

Model: FR-270



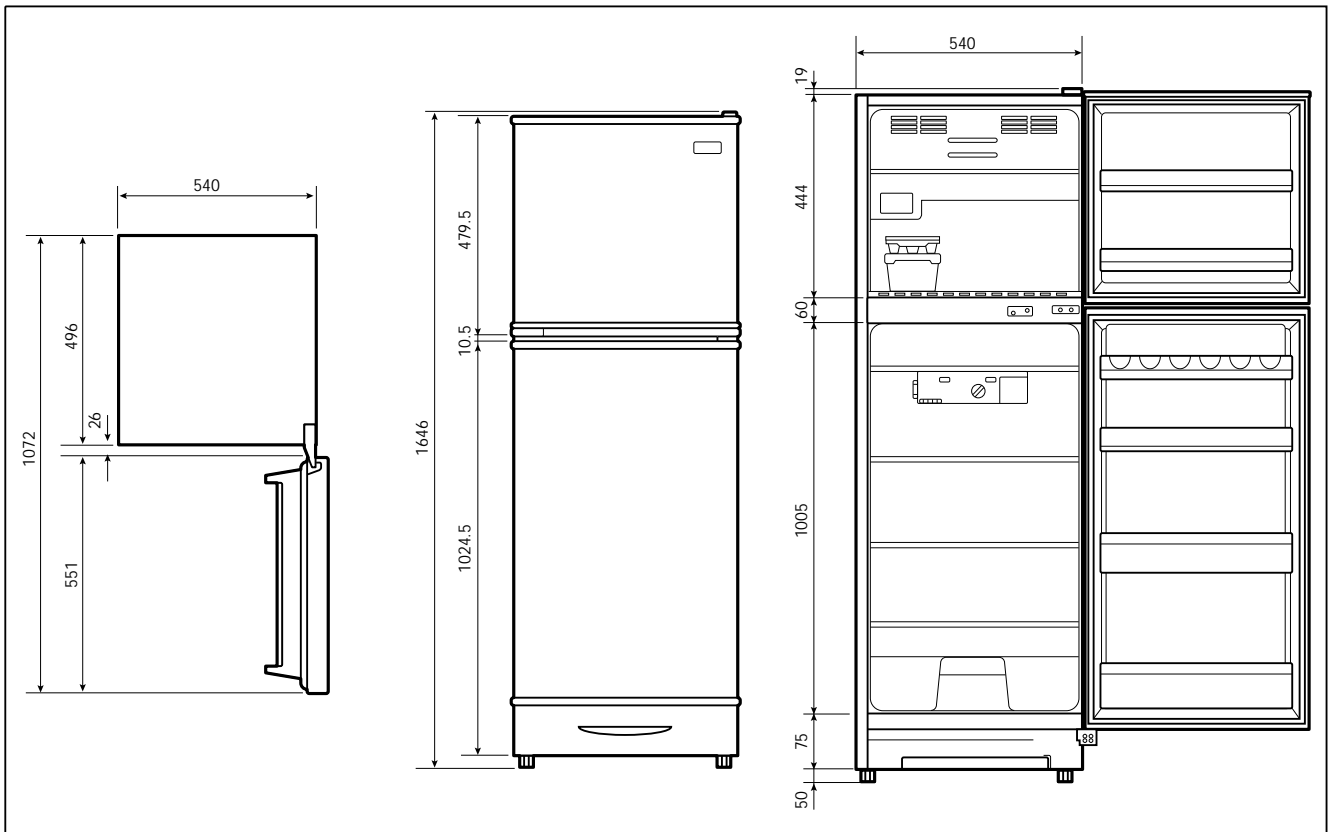
DAEWOO ELECTRONICS CO., LTD.

1. Specification	1
2. External view	2
3. Wire diagram	3
4. Name of parts	4
5. Air flow diagram	5
6. Refrigerant cycle diagram	6
7. Machine room view and part list	7
8. Main components	8
9. Door color specification	11
10. Exploded view and parts list	14

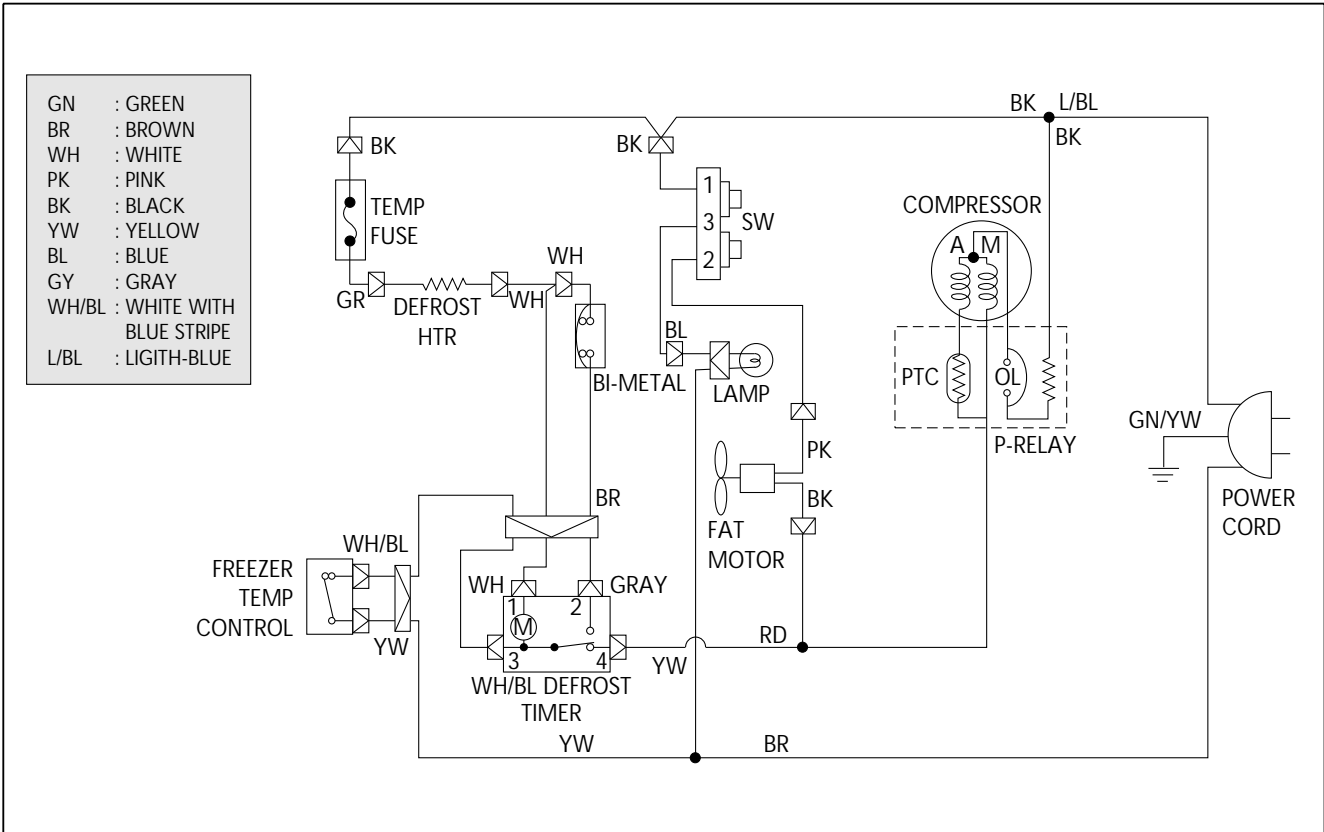
1. SPECIFICATION

MODEL NAME		FR-270
Refrigerant	R12	110g
	R134a	100g
Cooling System		Fan Cooling Convection Type
Refrigeration System		Air Forced Convection
Defrost System		Forced Fin-aporator Type
Defrost Operation		Automatic Start & Stop
Cold Control		Adjustable Dial
Capacity	Freezer	51 ℓ
	Refrigerator	167 ℓ
	Total	218 ℓ
External Dimension	Height	1647mm
	Width	551mm
	Depth	568mm
Net Weight		60Kg

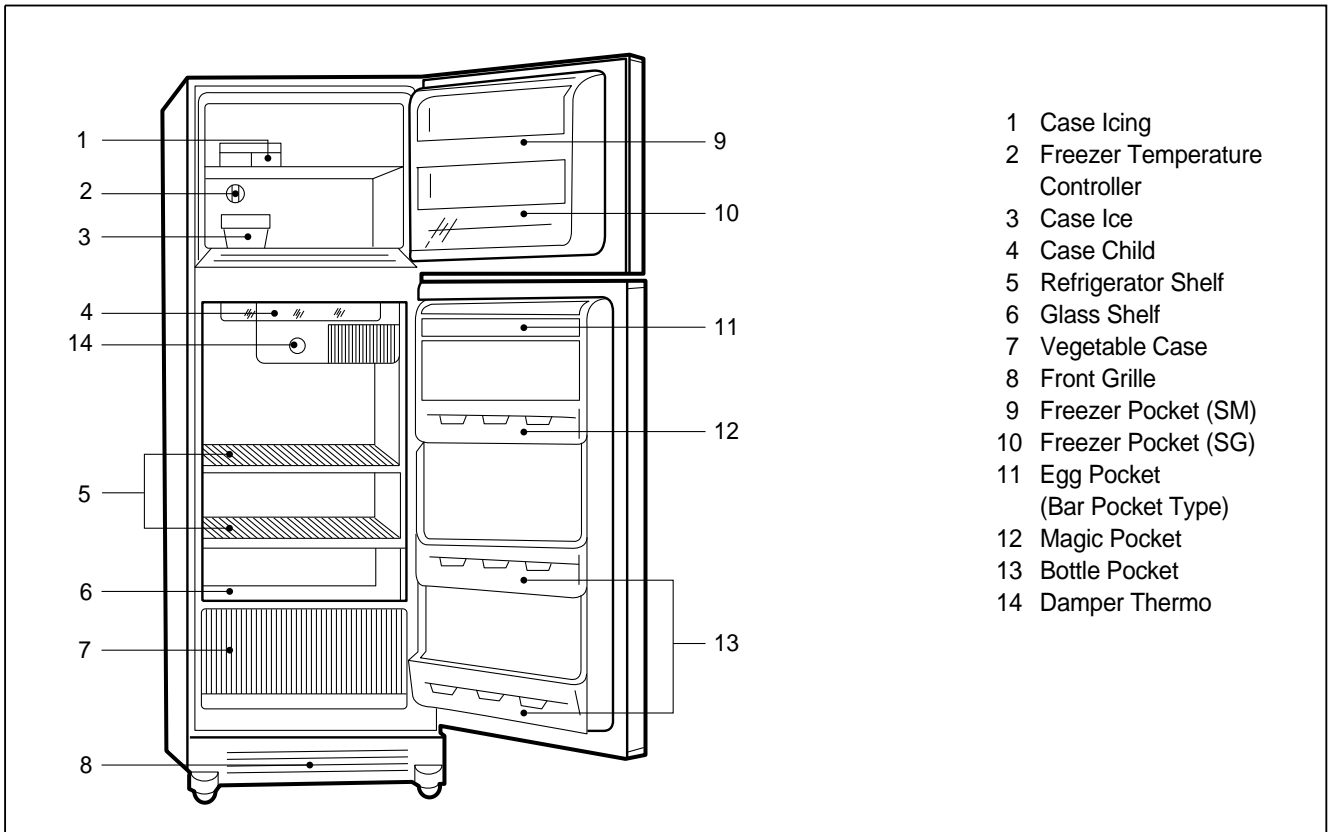
2. EXTERNAL VIEW



3. WIRE DIAGRAM



4. NAME OF PARTS



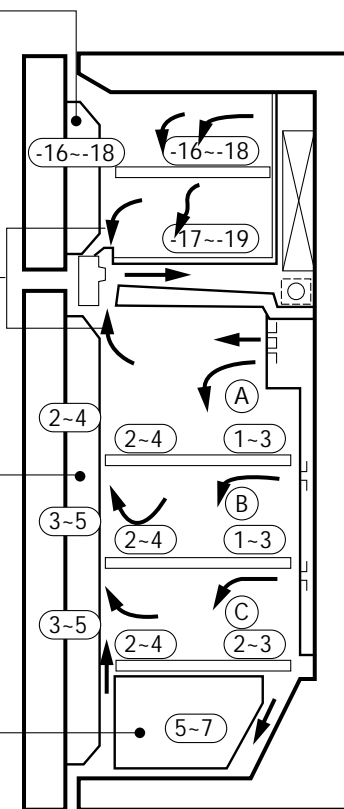
5. AIR FLOW DIAGRAM

Freezer door pocket
 Do not put ice cream or frozen food in freezer door pocket to store for a long term. Opening and shutting the door can rise up the temperature.

Cold air absorbing duct
 Do not place food in front of the duct because it is the entrance of the cold air.

Refrigerator door pocket
 Temperature is high even if the pocket is in the middle.
 When storing margarine or cheese for one or two weeks, make use of the refrigerator shelf.

Crisper
 Suitable in storing fruits or vegetable.
 Wrapping can prevent from dryness.

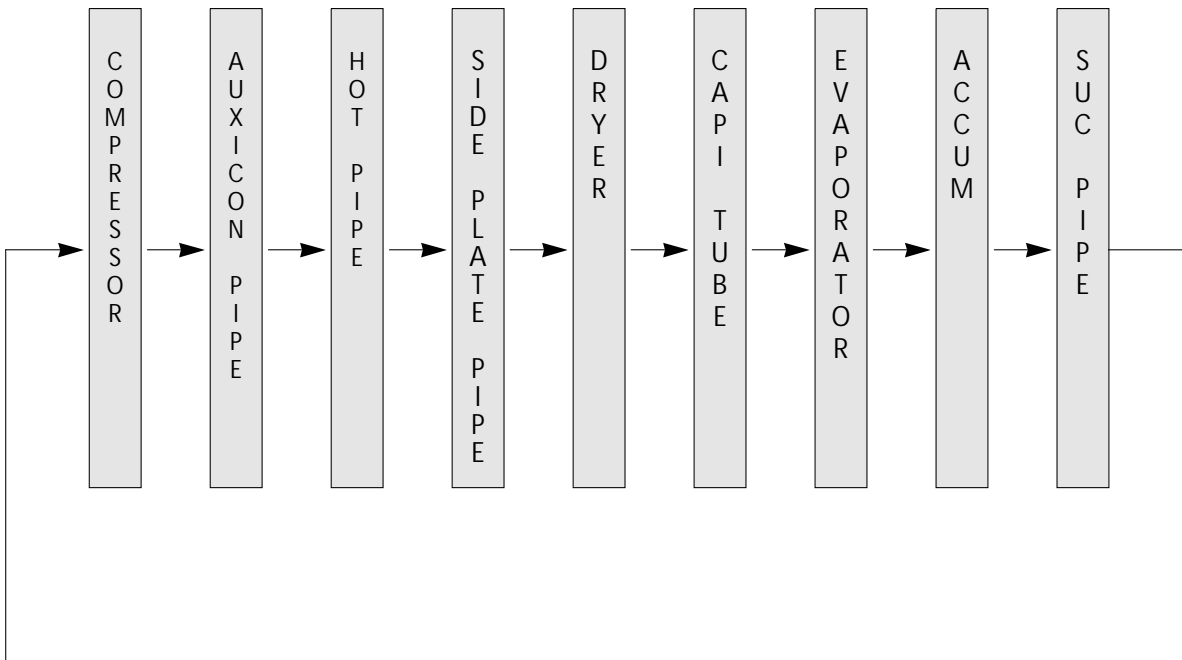
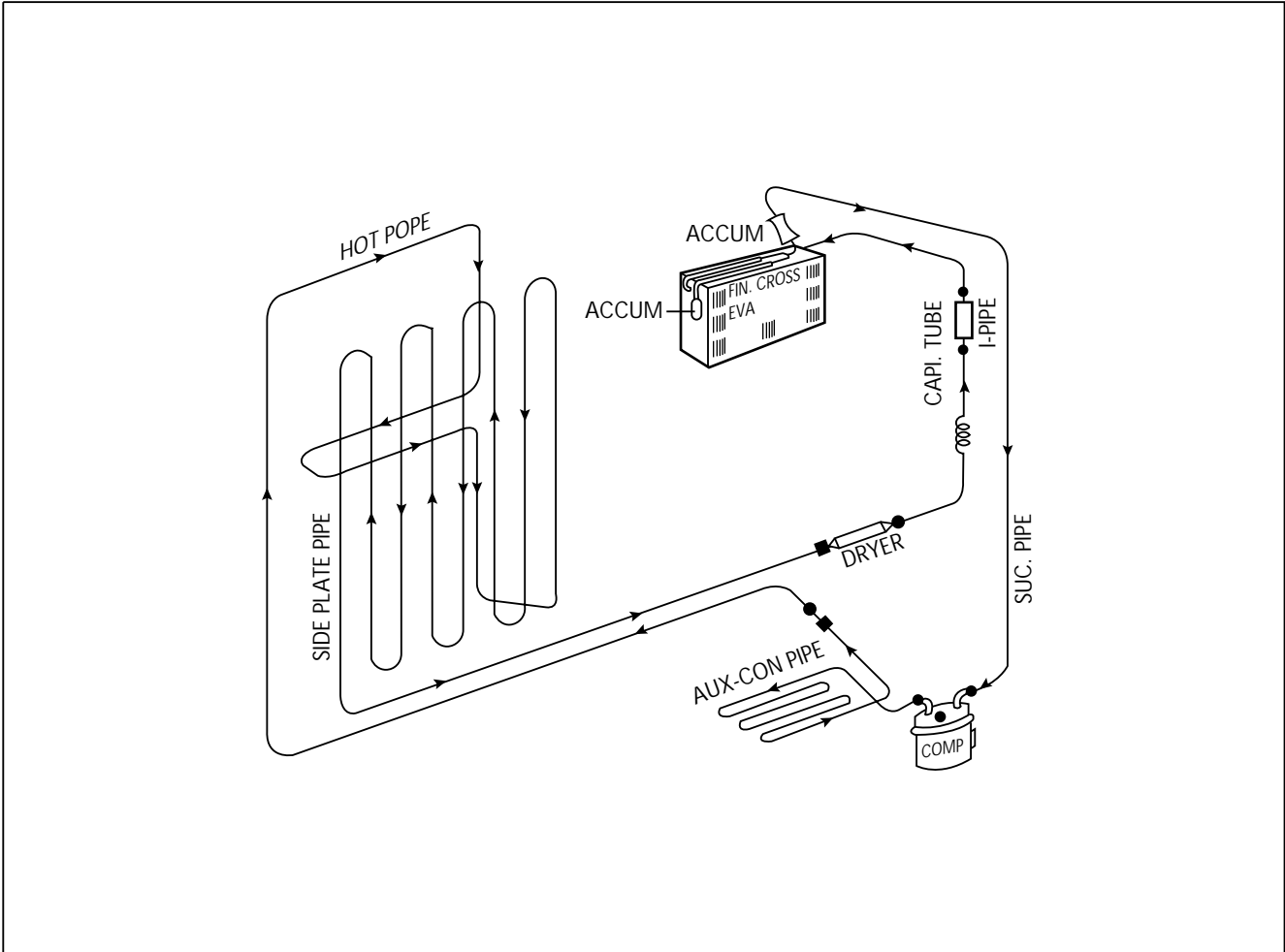


Freezer room
 Do not put in any bottle such as beer or beverage because it can be frozen and broken.

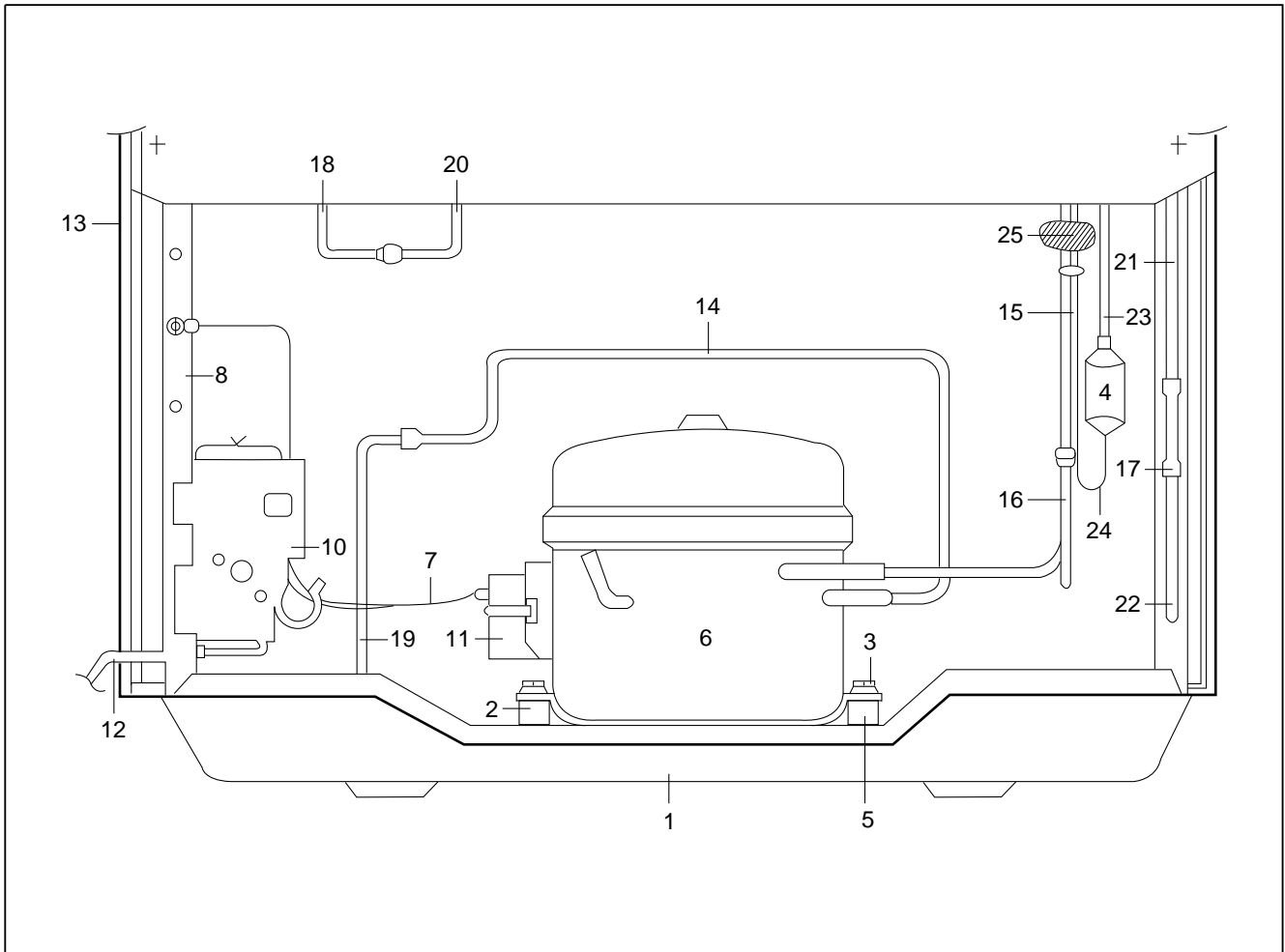
Refrigerator room
 This model is multi-flow type which flows out cold air from each shelf space. The hot air after making the refrigerator cold, flows into cooling system through the front upper part.

Do not put food having much moisture at the middle part of each shelf space ("A", "B" and "C" part). It can be frozen owing to the low temperature.

6. REFRIGERANT CYCLE DIAGRAM



7. MACHINE ROOM VIEW AND PART LIST



NO	PART NAME	NO	PART NAME	NO	PART NAME
1	BASE COMP	10	POWER BOX AS	19	ENTRANCE OF AUX-CON PIPE
2	FIXTURE BOLT COMP	11	SWITCH P-RELAY AS	20	ENTRANCE OF SIDE PLATE PIPE
3	WASHER	12	POWER CORD	21	ENTRANCE OF HOT PIPE
4	DRYER	13	CABINET URT AS	22	EXIT OF AUX-CON PIPE
5	ABSORBER	14	PIPE CON (PA)	23	EXIT OF SIDE PLATE PIPE
6	COMPRESSOR	15	SUC-PIPE AS	24	CAPILLARY TUBE
7	P-RELAY LEAD WIRE	16	SUC-PIPE CON	25	VIBRATIONPROOF MASS
8	REINFORCE *R	17	PIPE CON		
9	REINFORCE *L	18	EXIT OF HOT PIPE		

8. MAIN COMPONENTS

1. COMPRESSOR

Refrigerant	R12							
Voltage	100V/50,60Hz	110V/60Hz	115, 120V/60Hz	127V/60Hz	220V/50Hz	220V/60Hz	230V/50Hz	240V/50Hz
Comp. model	FL19J	EL19J-3	EL19J-1	FL19J-2	SL19J-5	PL19J-4	SL19J-5	←
Part code	3951119300	3953119330	3953119310	3951119320	3954119380	3956119340	3954119380	←
Strating type	RSIR	RSCR	RSCR	RSIR	RSIR	RSCR	RSIR	←

Refrigerant	R134a							
Voltage	100V/50,60Hz	110V/60Hz	115, 120V/60Hz	127V/60Hz	220V/50Hz	220V/60Hz	230V/50Hz	240V/50Hz
Comp. model	HEL19J	HEL19J-3	X	X	HSL23YE-5	X	HSL23YE-5	←
Part code	3953119E00	3953119E30	X	X	3954123G50	X	3954123G50	←
Strating type	RSCR	←	X	X	RSIR	X	RSIR	←

2. RELAY ASSEMBLY

Refrigerant	R12							
Voltage	100V/50,60Hz	110V/60Hz	115, 120V/60Hz	127V/60Hz	220V/50Hz	220V/60Hz	230V/50Hz	240V/50Hz
Relay model	317THBYY-52	232THBYY-52	←	276THBYY-52	174SHBYY-52	129SHBYY-52	174SHBYY-52	←
Part code	3018110530	3018105730	←	3018105750	3018108030	3018105202	3018108030	←

Refrigerant	R134a							
Voltage	100V/50,60Hz	110V/60Hz	115, 120V/60Hz	127V/60Hz	220V/50Hz	220V/60Hz	230V/50Hz	240V/50Hz
Relay model	427THBZZ-52	317NHBZZ-52	X	X	213THBYY-52	X	213THBYY-52	←
Part code	3018104730	3018104720	X	X	3018102770	X	3018102770	←

3. RUNNING CAPACITOR

Refrigerant	R12							
Voltage	100V/50,60Hz	110V/60Hz	115, 120V/60Hz	127V/60Hz	220V/50Hz	220V/60Hz	230V/50Hz	240V/50Hz
Spec.	X	230V/10μF	←	X	X	350V/5μF	X	X
Part code	X	400EL15130	←	X	X	400EL15110	X	X

Refrigerant	R134a							
Voltage	100V/50,60Hz	110V/60Hz	115, 120V/60Hz	127V/60Hz	220V/50Hz	220V/60Hz	230V/50Hz	240V/50Hz
Spec.	250V/16μF	←	X	X	X	X	X	X
Part code	3816800600	←	X	X	X	X	X	X

4. F-FAN MOTOR

Refrigerant	R12, R134a							
Voltage	100V/50,60Hz	110V/60Hz	115, 120V/60Hz	127V/60Hz	220V/50Hz	220V/60Hz	230V/50Hz	240V/50Hz
Spec.	3210DWNFQ	←	←	←	3210DWNFO	3210DWNFP	3210DWNFR	←
Part code	3963220100	←	←	←	4019H24102	400EL18611	3011800561	←

5. DEFROST HEATER

Refrigerant	R12, R134a							
Voltage	100V/50,60Hz	110V/60Hz	115, 120V/60Hz	127V/60Hz	220V/50Hz	220V/60Hz	230V/50Hz	240V/50Hz
Spec.	127V/110W	←	←	←	220V/110W	←	←	←
Part code	401KG73730	←	←	←	3012803000	←	←	←

6. LAMP ASSEMBLY

Refrigerant	R12, R134a							
Voltage	100V/50,60Hz	110V/60Hz	115, 120V/60Hz	127V/60Hz	220V/50Hz	220V/60Hz	230V/50Hz	240V/50Hz
Spec.	120V/10W	←	←	←	240V/13W	←	←	←
Part code	4019S15200	←	←	←	400EL20111	←	←	←

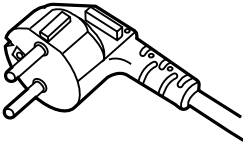
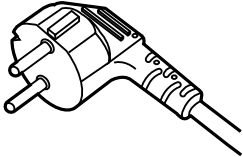
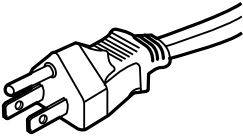
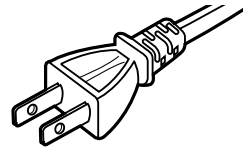
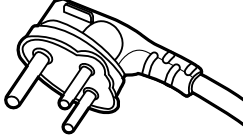
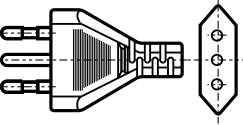
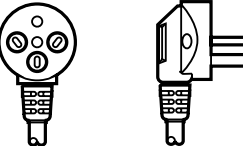
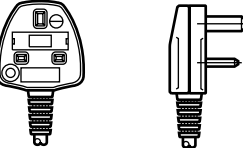
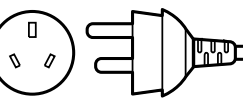
7. DEFROST TIMER

Refrigerant	R12, R134a							
Voltage	100V/50,60Hz	110V/60Hz	115, 120V/60Hz	127V/60Hz	220V/50Hz	220V/60Hz	230V/50Hz	240V/50Hz
Spec.	TMDEX09UA1	←	←	←	TMDEX09UM1	←	←	←
Part code	3018101200	←	←	←	3018100310	←	←	←

8. DRYER

Refrigerant	R12	R134a
Spec.	10 g	15 g
Part code	3016800103	3016801100

POWER CORD SPECIFICATION

NO	SHAPE OF POWER CODE	PART CODE	DESCRIPTION	REMARK
1		3011315000	CP-2PIN	FOR EUROPEAN COUNTRY
2		401RA17200	CP-2PIN	FOR OTHER COUNTRY
3		4006D17101	KP-30	FOR AMERICA
4		401PD17101	KP-211	FOR JAPAN & TAIWAN
5		3011300801	BP-3PIN	
6		3011303010	#267	FOR CHILE
7		3011315310		FOR ISRAEL
8		3011303050	BS-1363A	FOR U.K, MIDDLE ASIA SINGAPORE & MALAYSIA
9		3011301200	KP-551/550	FOR CHINA & AUSTRALIA

* Upper power cord's part code is only for lead wire, without any kinds of terminal or housing.

9. DOOR COLOR SPECIFICATION

1. ASSEMBLY URETHAN FREEZER DOOR

1) Key type

Refrigerant	R12				R134a			
Color type	Dull lamina sheet	High glossy lamina sheet	Normal PCM	High glossy bright PCM	Dull lamina sheet	High glossy lamina sheet	Normal PCM	High glossy bright PCM
Part code	X	X	PFDT1UE130	PFDT1UE220	X	X	PFDT1UE135	PFDT1UE225

2) Non-key type

Refrigerant	R12				R134a			
Color type	Dull lamina sheet	High glossy lamina sheet	Normal PCM	High glossy bright PCM	Dull lamina sheet	High glossy lamina sheet	Normal PCM	High glossy bright PCM
Part code	X	X	PFDT1UE030	PFDT1UE100	X	X	PFDT1UE035	PFDT1UE105

2. ASSEMBLY URETHAN REFRIGERATOR DOOR

1) Key type

Refrigerant	R12				R134a			
Color type	Dull lamina sheet	High glossy lamina sheet	Normal PCM	High glossy bright PCM	Dull lamina sheet	High glossy lamina sheet	Normal PCM	High glossy bright PCM
Part code	X	X	PFDU2UE170	PFDU2UE220	X	X	PFDU2UE175	PFDU2UE225

2) Non key type

Refrigerant	R12				R134a			
Color type	Dull lamina sheet	High glossy lamina sheet	Normal PCM	High glossy bright PCM	Dull lamina sheet	High glossy lamina sheet	Normal PCM	High glossy bright PCM
Part code	X	X	PFDU2UE030	PFDU2UE100	X	X	PFDU2UE035	PFDU2UE105

COLOR TABLE

1. PCM type

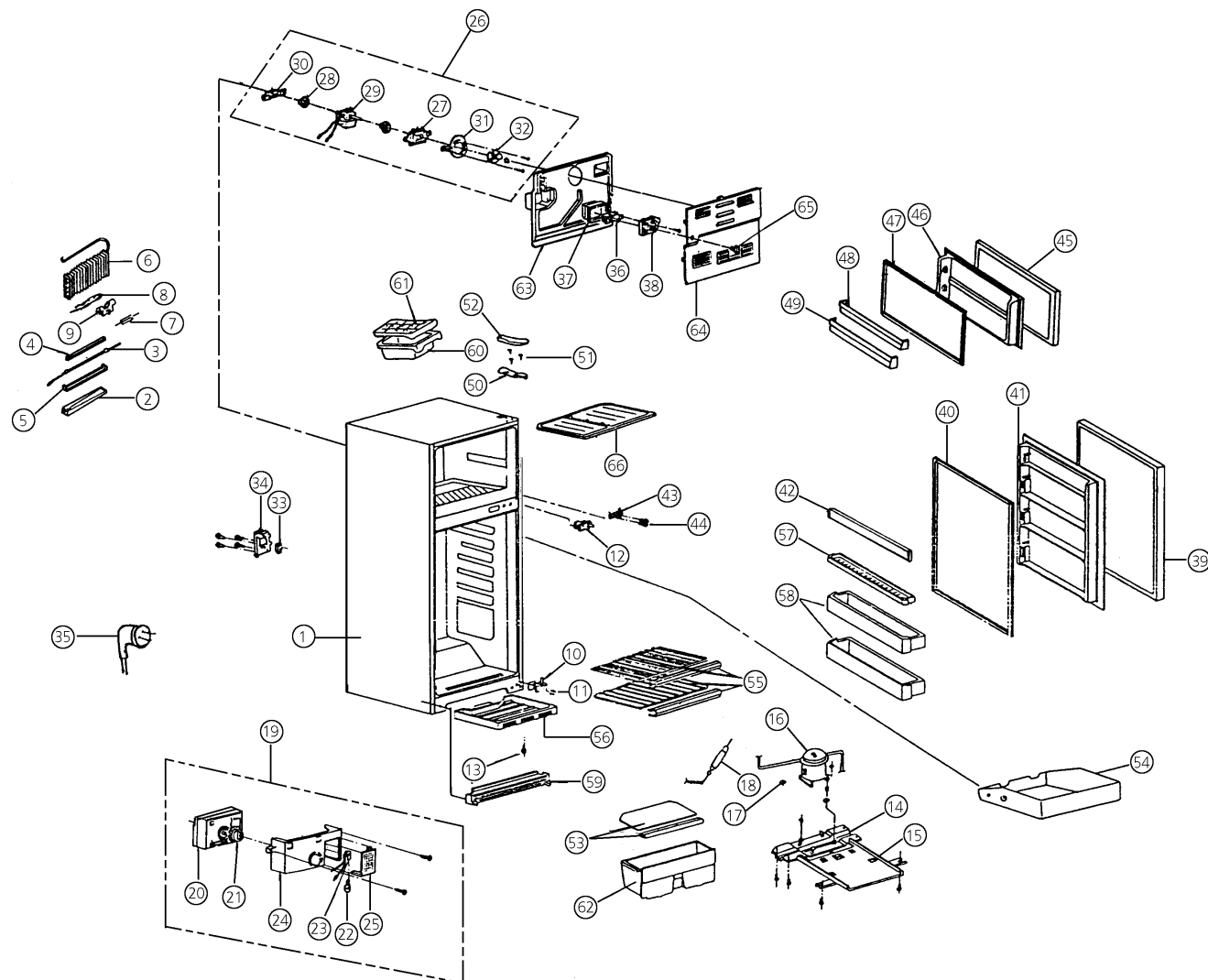
NO	COLOR CHIP	COLOR NAME
1		P/WITH (WH069)
2		'94 L/GRAY (GY158)
3		'95 L/GRAY (GY259)
4		'94 M/GRAY (GY331)
5		'95 M/GRAY (GY335)
6		'97 M/GRAY (GY267)
7		M. D/GRAY (GY750)
8		N/BLUE (BL718)
9		MINT GREEN (GN206)
10		'97 BEIGE (BE215)

2. Lamina sheet type

NO	COLOR CHIP	COLOR NAME
1		P/WITH (WH069)
2		'94 L/GRAY (GY158)
3		'95 L/GRAY (GY259)
4		'94 M/GRAY (GY331)
5		'95 M/GRAY (GY335)
6		'97 M/GRAY (GY267)
7		M. D/GRAY (GY750)
8		N/BLUE (BL718)
9		MINT GREEN (GN206)
10		S/GOLD
11		G/GREEN

10. EXPLODED VIEW AND PARTS LIST

1. Exploded view



2. Parts list

NO	PART CODE	PART NAME	DESCRIPTION	QUANTITY	REMARK
1		ASSY URT CAB		1	
2	4018G57110	GUIDE DRN *O		1	
3		HEATER D AS		1	REFER TO # 9
4	4019H73570	COVER DEFR HTR *T	AL	1	
5	4019H73580	COVER DEFR HIR *U	AL	1	
6	4019H03105	EVAPORATOR AS		1	
7	3018100620	SWITCH BIMTL AS		1	
8	4019H23013	FUSE TEMP AS		1	
9	4017Z90590	FIXTURE FUSE TEMP	PP	1	
10	3012900401	HINGE *U AS	MF-ZN5-C1	1	
11	3016000600	SPECIAL SCREW	M6 X 20	4	
12	3010023400	SWITCH DR AS		1	
13	4001E32531	ADJ FOOT	007-02-15	2	
14	3010303700	BASE COMP AS	Y-COMP	1	
15	4004Q02105	AXCON AS		1	
16		COMPRESSOR		1	REFER TO # 8
17		SWITCH P RELAY AS		1	REFER TO # 8
18		DRYER AS		1	REFER TO # 9
19	4019H26001	DAMPR R ASS		1	
20	4018G26100	INSU R DAMPER AS		1	
21	4017Z18180	KNOB	ABS	1	
22		LAMP AS		1	REFER TO # 9
23	400EL19311	SOCKET LAMP AS	200, 200/WHITE HOUSING	1	
24	4019H22131	R DAMPER BODY	HIPS	1	
25	4017Z87570	SHADE R	HC-2	1	
26		FAN MOTR ASS		1	
27	4017Z32244	COVR FAN B	ABS	1	
28	4017Z08430	ABSORBER MOTR	EPR-B3 (H40)	2	
29		FAN MOTOR		1	REFER TO # 8
30	4017Z32230	BRACKET MOTR	ABS	1	
31	4019H32230	COVR FAN A	ABS	1	
32	4019H10310	FAN	ABS	1	
33		TIMER		1	REFER TO # 9
34	401NA29101	HOLDER DEFR TIMER	PP	1	
35		CORD POWER AS		1	REFER TO # 10
36	4019H14300	THEMO F	DECO B-358	1	
37	4019H27120	CONTROL BOX		1	
38	4019H27111	COVER F C/B	PP	1	
39		ASSY URT *U DOOR		1	REFER TO # 11

NO	PART CODE	PART NAME	DESCRIPTION	QUANTITY	REMARK
40	3012302580	GASKET R DR AS	ROUND DOOR	1	
41	3017405900	LINER R DR	ABS 1.4 X 570 X 1055	1	
42	3019004850	POCKET EGG	PVC-H	1	
43	3012900611	HINGE *M AS		1	
44	3016000240	SPECIAL SCREW	M6 X 16 SWCH22A	2	
45		ASSY URT *T DOOR		1	REFER TO # 11
46	3017405800	LINER F DR	ABS 1.5 570 505	1	
47	3012302570	GASKET F DR	ROUND DOOR	1	
48	4019N46211	POCKET F *T	GP-25SP	1	
49	4018N46221	POCKET F *U	GP-25SP	1	
50	3012900202	HINGE *T AS	SPHC (ZN-8-C)	1	
51	3016000301	SPECIAL SCREW	M5 X 14 S1018C ZN5MICRO	3	
52	3010900602	CAP *T HI	PP	1	
53	3017807200	SHELF GLAS AS	GLASS	1	
54	4016Q30612	CASE CHILD		1	
55	3017807000	SHELF R A AS	SWM-B	2	
56	4004Q30312	CASE VAPORI	PP SCRAP	1	
57	4018N37212	POCKET MAGIC	HIPS	1	
58	4018C37051	POCKET BOTL	HIPS	2	
59	3011420060	COVER CAB BRKT		1	
60	4017Z99112	CASE ICE	HC-2	1	
61	4016S30811	CASE ICING	PE	1	
62	4019N30021	CASE VEGTB	GP	1	
63	3010032200	INSULATOR F LUVR AS	F-PS+AL TAPE	1	
64	3018902000	LOUVER F	PP	1	
65	4008Z14200	CS KNOB ASS	052-01-08	1	
66	3017804800	SHELF F	PP	1	