

S/M No. : FR14200010

Service Manual

Refrigerator

Model: FR-142

DAEWOO



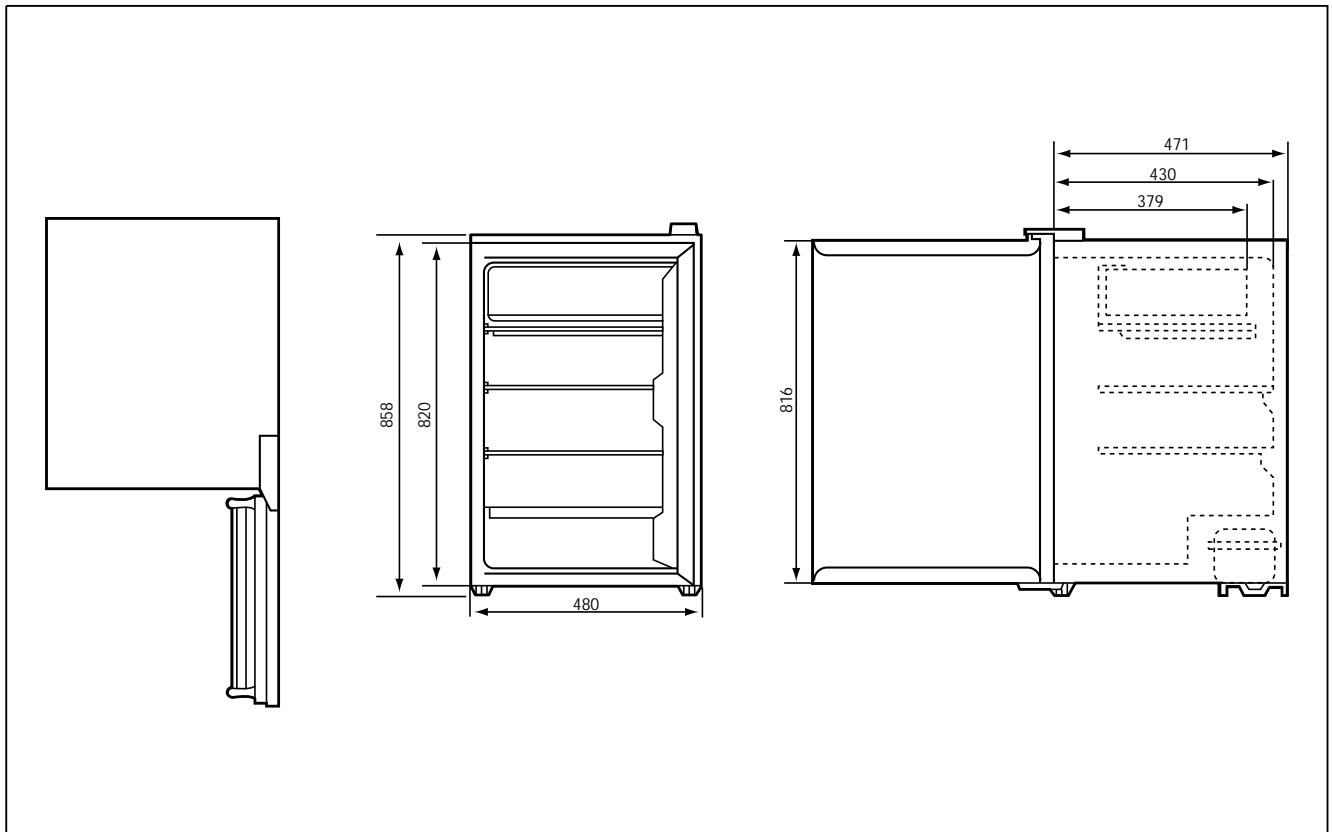
DAEWOO ELECTRONICS CO., LTD.

1. Specification	1
2. External view	2
3. Wire diagram	3
4. Name of parts	4
5. Refrigerant cycle diagram	5
6. Machine room view and part list	6
7. Main components	7
8. Door color specification	9
9. Exploded view and parts list	12

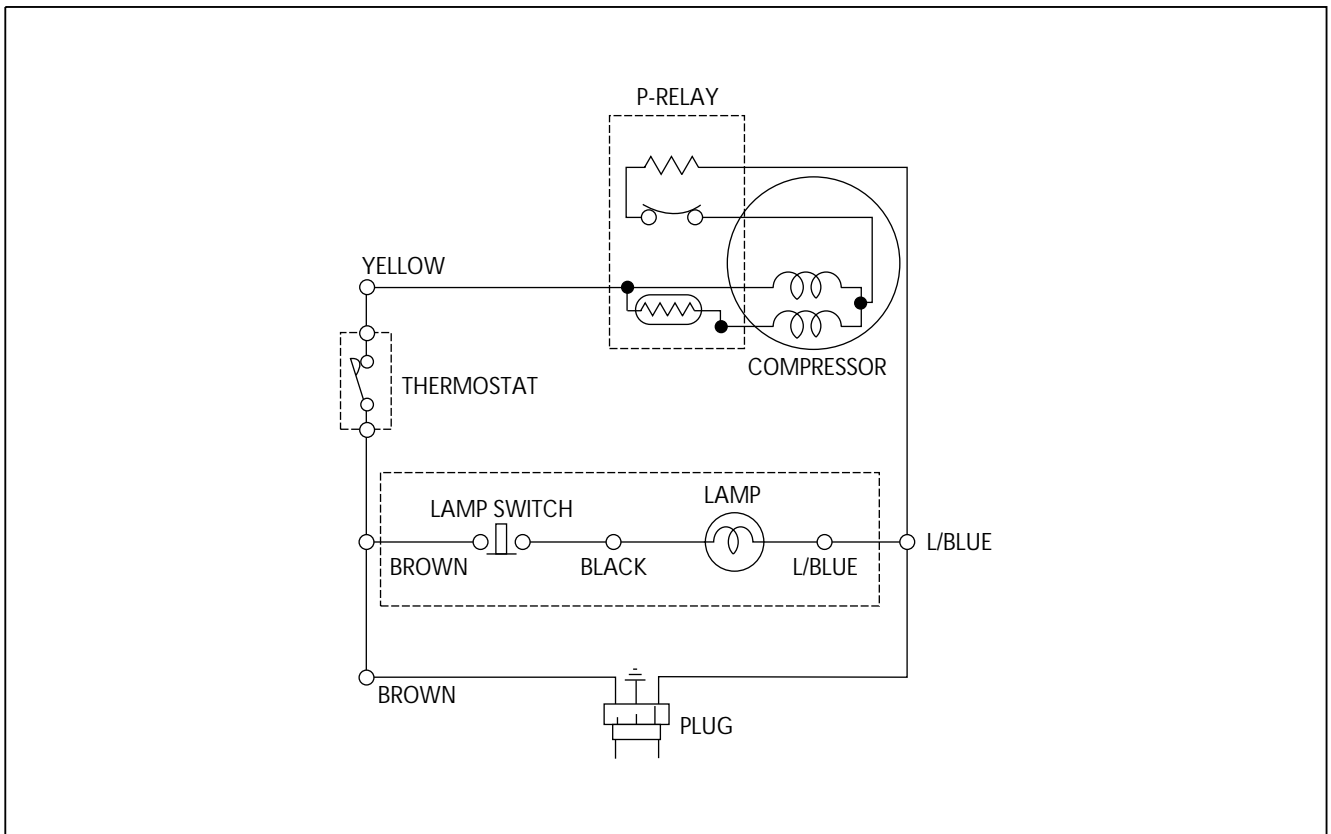
1. SPECIFICATION

MODEL NAME		FR-142
Refrigerant	R12	115g
	R134a	105g
Cooling System		Aluminumembossed Plat "Roll Bond" Type
Refrigeration System		Natural Cold-air Convection
Defrost System		Natural
Defrost Operation		Manual Start & Stop
Cold Control		Adjustable Dial
Capacity	Freezer	-
	Refrigerator	-
	Total	122 ℓ
External Dimension	Height	858mm
	Width	480mm
	Depth	531mm
Net Weight		31Kg

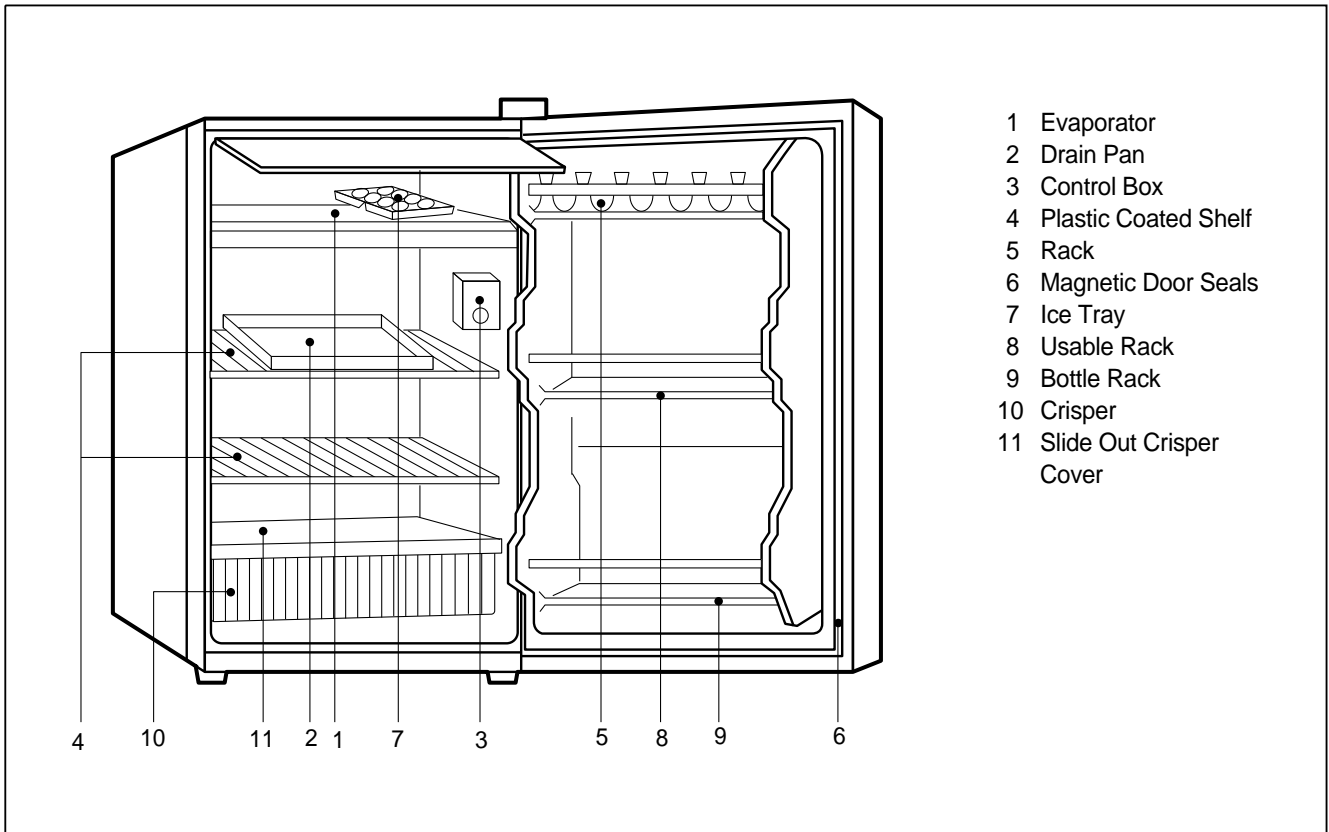
2. EXTERNAL VIEW



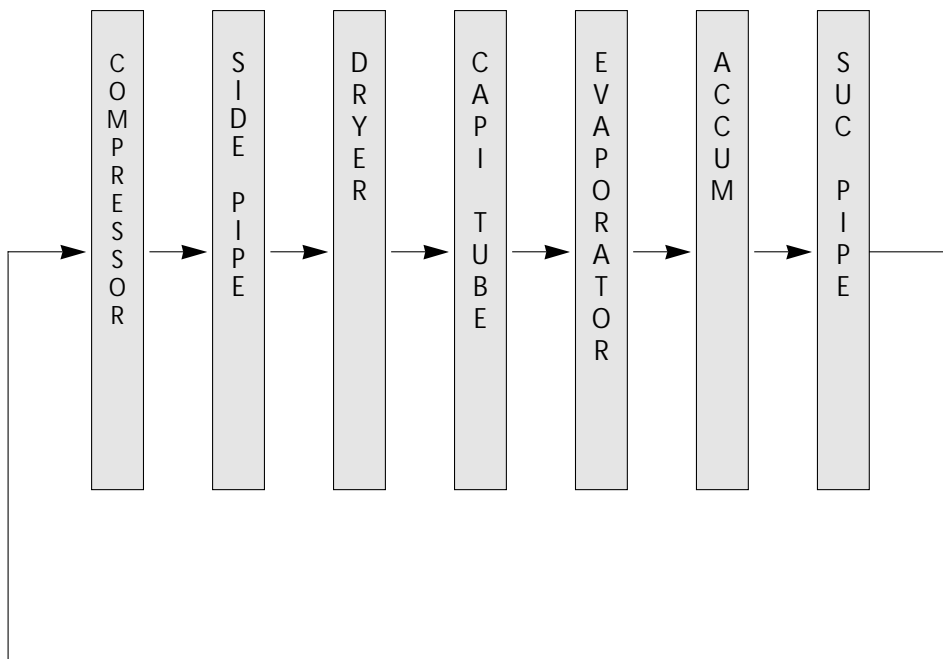
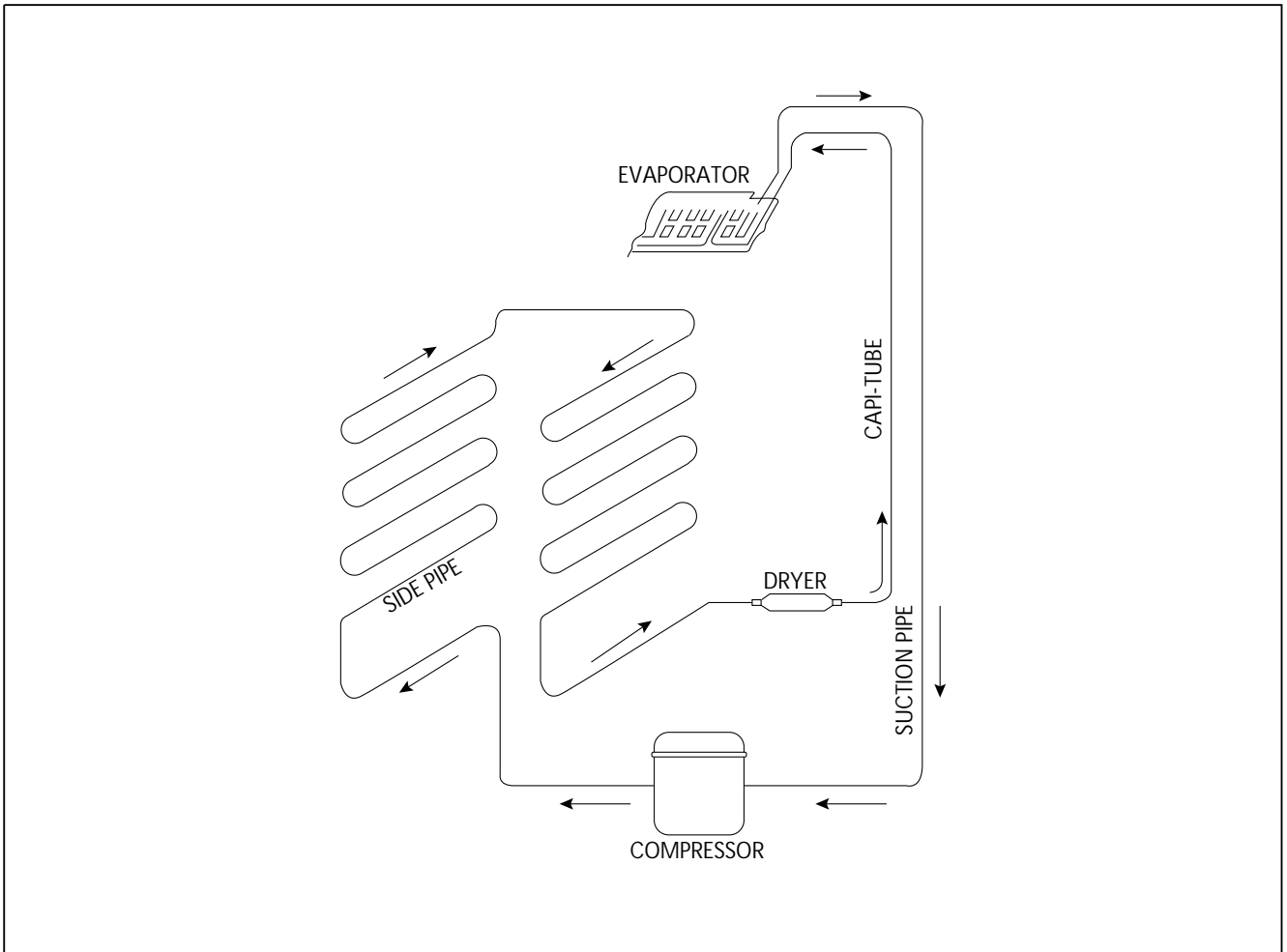
3. WIRE DIAGRAM



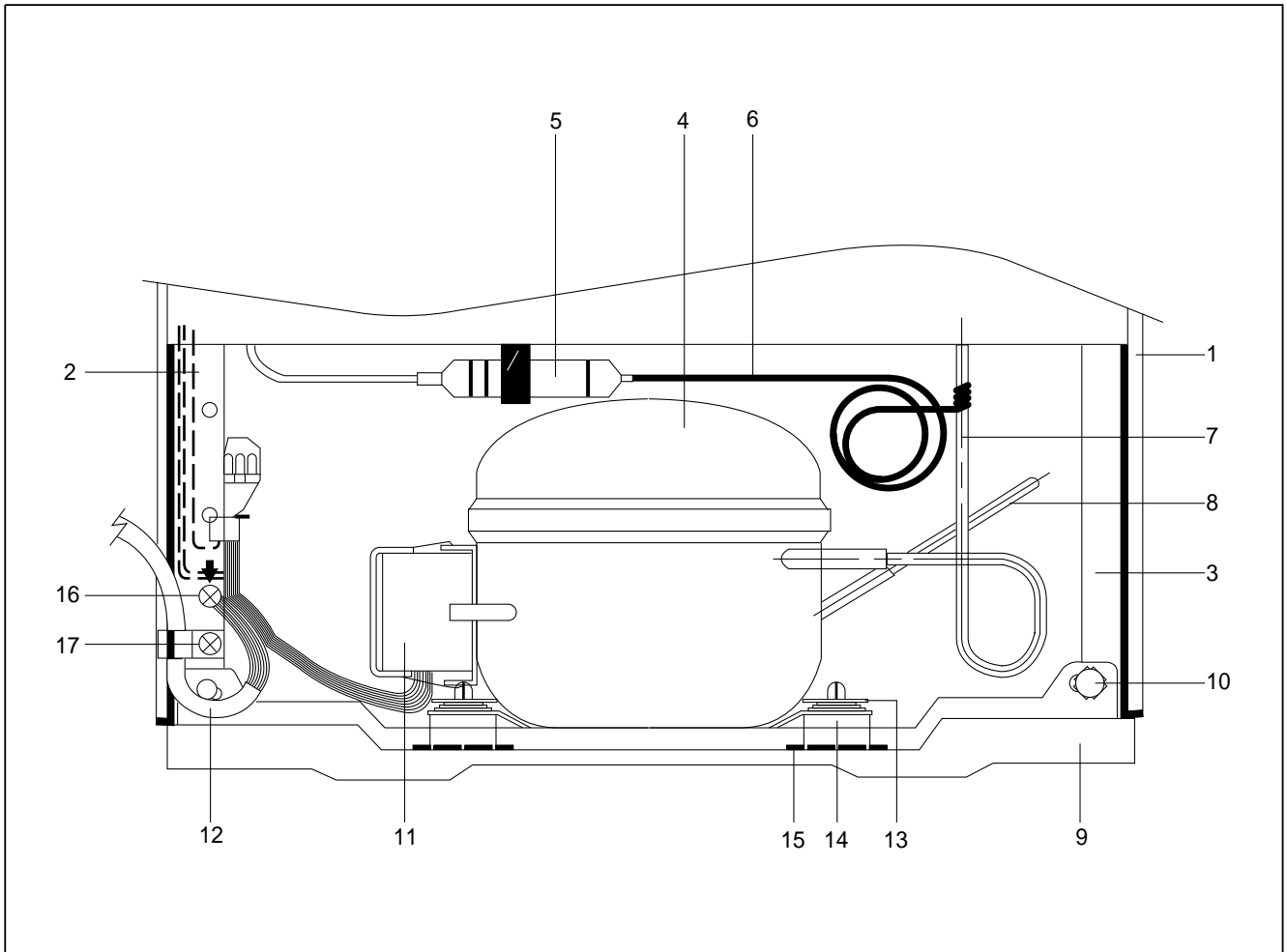
4. NAME OF PARTS



5. REFRIGERANT CYCLE DIAGRAM



6. MACHINE ROOM VIEW AND PART LIST



NO	PART NAME	NO	PART NAME	NO	PART NAME
1	CABINET	7	SUCTION PIPE	13	WASHER *T
2	REINFORCE *L	8	PIPE CON	14	ABSORBER
3	REINFORCE *R	9	BASE COMP	15	WASHER *U
4	COMPRESSOR	10	BOLT HEX	16	MACHINE SCREW
5	DRYER	11	P RELAY AS	17	TAPPING SCREW
6	CAPI TUBE	12	POWER CORD		

7. MAIN COMPONENTS

1. COMPRESSOR

Refrigerant	R12							
Voltage	100V/50,60Hz	110V/60Hz	115, 120V/60Hz	127V/60Hz	220V/50Hz	220V/60Hz	230V/50Hz	240V/50Hz
Comp. model	FL7Y-1	FL5Y-1U	←	←	SL7Y-5	←	←	←
Part code	3951105400	39511054U0	←	←	3954105470	←	←	←
Strating type	RSIR	←	←	←	RSIR	←	←	←

Refrigerant	R134a							
Voltage	100V/50,60Hz	110V/60Hz	115, 120V/60Hz	127V/60Hz	220V/50Hz	220V/60Hz	230V/50Hz	240V/50Hz
Comp. model	HFL7Y	HFL5Y-1H	←	X	HSL7Y-5	X	HSL7Y-5	←
Part code	3951107F00	3951105F10	←	X	3954107F50	X	3954107F50	←
Strating type	RSIR	←		X	RSIR	X	RSIR	←

2. RELAY ASSEMBLY

Refrigerant	R12							
Voltage	100V/50,60Hz	110V/60Hz	115, 120V/60Hz	127V/60Hz	220V/50Hz	220V/60Hz	230V/50Hz	240V/50Hz
Relay model	213THB, S068	197SHB, S068	←	←	129SHB, S220	104NHB, S220	129SHB, S220	←
Part code	3018101910	3018102010	3018102110	3018101410	3018100110	3018106810	3018101710	←

Refrigerant	R134a							
Voltage	100V/50,60Hz	110V/60Hz	115, 120V/60Hz	127V/60Hz	220V/50Hz	220V/60Hz	230V/50Hz	240V/50Hz
Relay model	265THB, S068	174SHB, S068	174SHB, S068	X	129SHB, S220	X	129SHB, S220	←
Part code	3018101920	3018108020	3018102120	X	3018101940	X	3018101940	←

3. CONTROL SWITCH

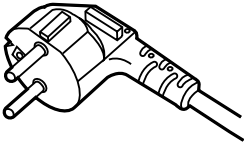
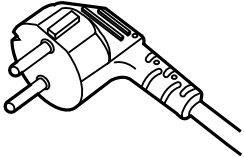
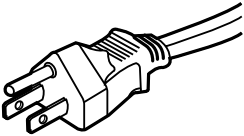
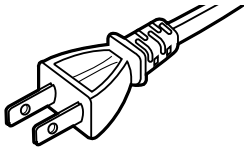
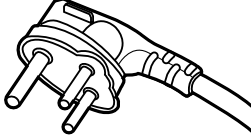
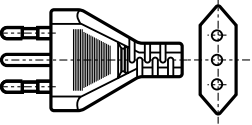
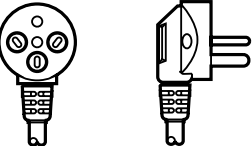
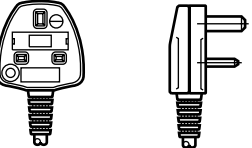
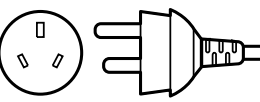
Refrigerant	R12							
Voltage	100V/50,60Hz	110V/60Hz	115, 120V/60Hz	127V/60Hz	220V/50Hz	220V/60Hz	230V/50Hz	240V/50Hz
Spec.	PFN-110U-02A	←	←	←	PFN-110U-02A	←	←	←
Part code	4004V70142	←	←	←	4004V70142	←	←	←

Refrigerant	R134a							
Voltage	100V/50,60Hz	110V/60Hz	115, 120V/60Hz	127V/60Hz	220V/50Hz	220V/60Hz	230V/50Hz	240V/50Hz
Spec.	PFN-110U-02A	PFN-110U-02D	←	PFN-110U-02D	PFN-110U-02A	←	PFN-110U-02A	←
Part code	4004V70142	3018301000	←	4004V70142	4004V70142	←	4004V70142	←

4. DRYER

Refrigerant	R12	R134a
Spec.	5 g	10 g
Part code	4019L04000	3016801300

POWER CORD SPECIFICATION

NO	SHAPE OF POWER CODE	PART CODE	DESCRIPTION	REMARK
1		3011315000	CP-2PIN	FOR EUROPEAN COUNTRY
2		401RA17200	CP-2PIN	FOR OTHER COUNTRY
3		4006D17101	KP-30	FOR AMERICA
4		401PD17101	KP-211	FOR JAPAN & TAIWAN
5		3011300801	BP-3PIN	
6		3011303010	#267	FOR CHILE
7		3011315310		FOR ISRAEL
8		3011303050	BS-1363A	FOR U.K, MIDDLE ASIA SINGAPORE & MALAYSIA
9		3011301200	KP-551/550	FOR CHINA & AUSTRALIA

* Upper power cord's part code is only for lead wire, without any kinds of terminal or housing.

8. DOOR COLOR SPECIFICATION

1. ASSEMBLY URETHAN DOOR

1) Key type

Refrigerant	R12				R134a			
Color type	Dull lamina sheet	High glossy lamina sheet	Normal PCM	High glossy bright PCM	Dull lamina sheet	High glossy lamina sheet	Normal PCM	High glossy bright PCM
Part code	X	PFUD2UC210	PFUD2UC150	X	X	X	PFUD2UC155	X

2) Non key type

Refrigerant	R12				R134a			
Color type	Dull lamina sheet	High glossy lamina sheet	Normal PCM	High glossy bright PCM	Dull lamina sheet	High glossy lamina sheet	Normal PCM	High glossy bright PCM
Part code	X	PFUD2UC120	PFUD2UC170	X	X	PFUD2UC125	PFUD2UC175	X

COLOR TABLE

1. PCM type

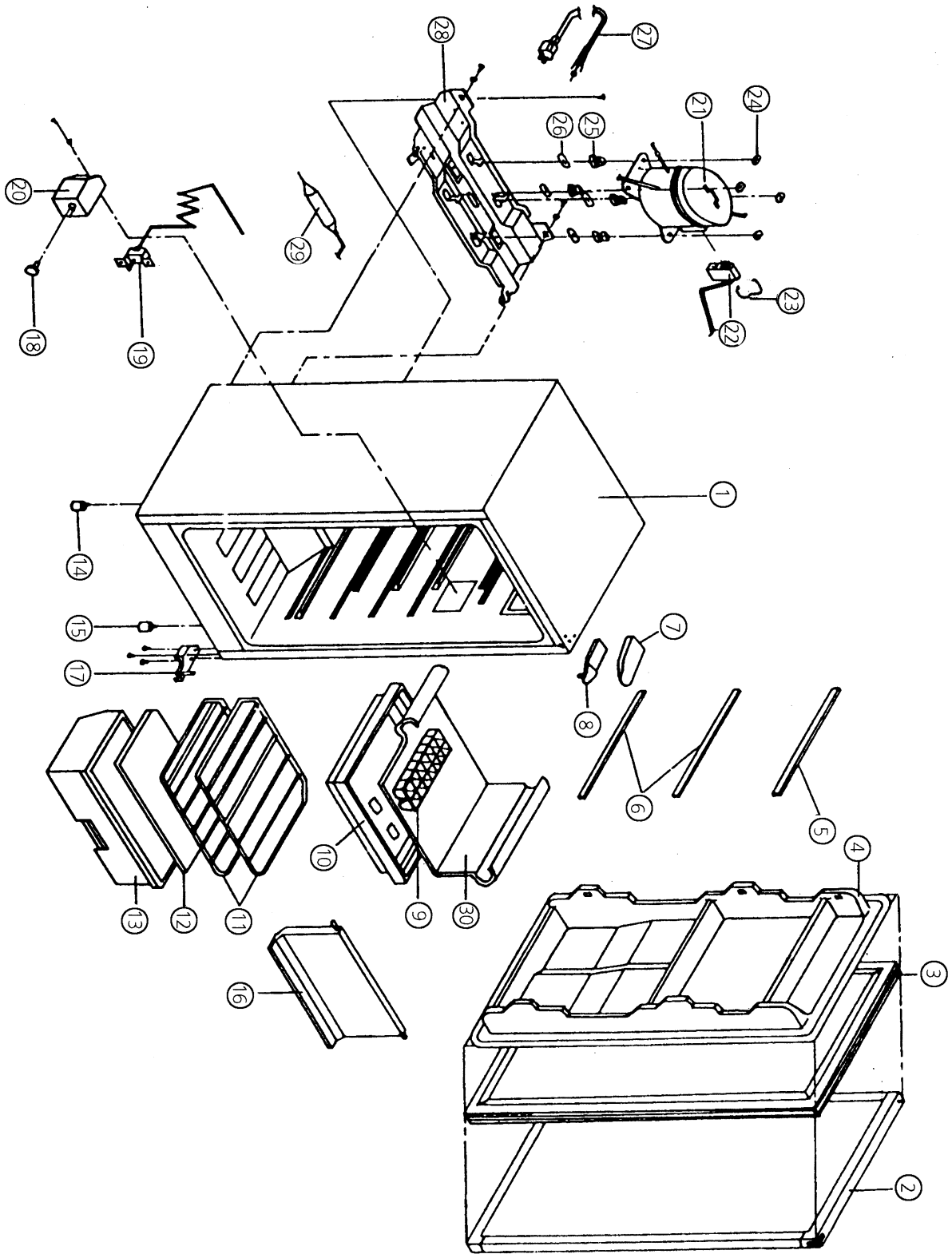
NO	COLOR CHIP	COLOR NAME
1		P/WITH (WH069)
2		'94 L/GRAY (GY158)
3		'95 L/GRAY (GY259)
4		'94 M/GRAY (GY331)
5		'95 M/GRAY (GY335)
6		'97 M/GRAY (GY267)
7		M. D/GRAY (GY750)
8		N/BLUE (BL718)
9		MINT GREEN (GN206)
10		'97 BEIGE (BE215)

2. Lamina sheet type

NO	COLOR CHIP	COLOR NAME
1		P/WITH (WH069)
2		'94 L/GRAY (GY158)
3		'95 L/GRAY (GY259)
4		'94 M/GRAY (GY331)
5		'95 M/GRAY (GY335)
6		'97 M/GRAY (GY267)
7		M. D/GRAY (GY750)
8		N/BLUE (BL718)
9		MINT GREEN (GN206)
10		S/GOLD
11		G/GREEN

9. EXPLODED VIEW AND PARTS LIST

1. Exploded view



2. Parts list

NO	PART CODE	PART NAME	DESCRIPTION	QUANTITY	REMARK
1		ASSY URT CAB		1	
2		ASSY URT DOOR		1	REFER TO # 9
3	3012305300	GASKET AS	PVC+MAGENT	1	
4	3017405700	LINER DR	ABS	1	
5	4017L37111	BAR POCKET (L)	PVC-H	1	
6	4017J37132	POCKET BOTTLE	PVC-H	2	
7	3011420050	COVER *T HI	PP	1	
8	3012903670	HINGE *T AS	SPHC T2.3	1	
9	4002A30420	CASE ICING	PE-HC	1	
10	3011110100	DRAIN PAN	PP	1	
11	4017J55226	SHELF	SWRM-B PE COATING	2	
12	4018R30411	FRUIT COVER	GPPS	1	
13	4017L30612	CRISPER	GPPS	1	
14	4017L32521	ADJ FOOT *L	PP(JI-360)	1	
15	4017L32532	ADJ FOOT *R	PP(JI-360)	1	
16	4017J53213	DOOR *F	HIPS	1	
17	3012903640	HINGE *U AS	T2.4	1	
18	3013400300	KNOB AS		1	
19	4004V70142	THERMOSTAT (C/S)	PFN 110U-02A	1	
20	3010502900	BOX CONTROL	HIPS	1	
21		COMPRESSOR		1	REFER TO # 7
22		SWITCH P RELAY AS		1	REFER TO # 7
23	3816100100	RELAY BAND	SK-5	1	
24	4001E09030	WASHER COMP	SPG T1.0	4	
25	4001E09013	ABSORBER COMP	NR-A	4	
26	4001E09021	WASHER COMP	SPG T0.6	4	
27		POWER CORD AS		1	REFER TO # 8
28	3010301101	BASE COMP	SPG T0.8 X210 X474	1	
29		DRYER		1	REFER TO # 7
30	301700202	EVAPORATOR AS		1	