

DAEWOO

Service Manual

Refrigerator

Model: FR-142

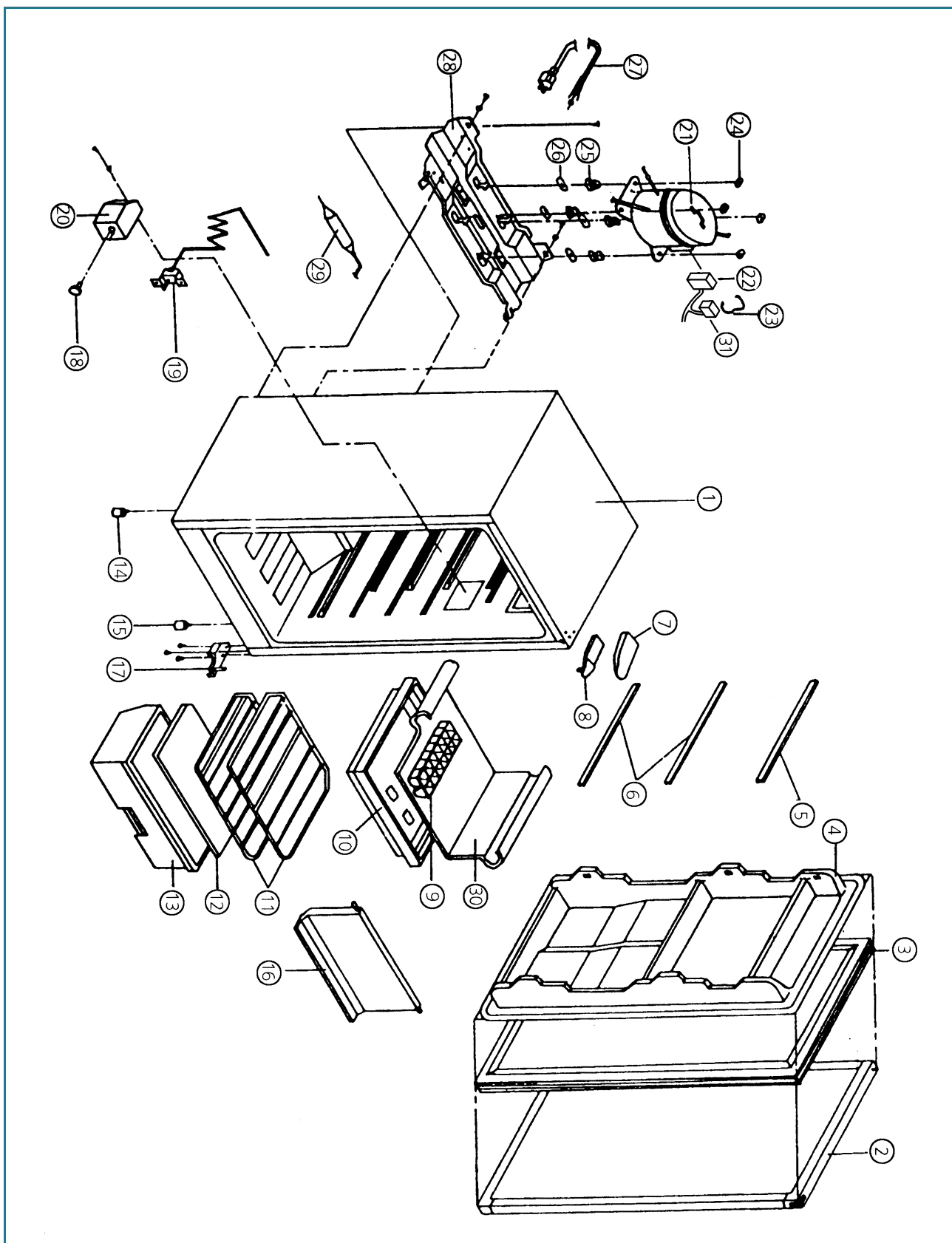
(FOR USA, CANADA)



DAEWOO ELECTRONICS CO., LTD.

FR-142

1. EXPLODED VIEW



2. PARTS LIST

NO	PART CODE	PART NAME	DESCRIPTION	QUANTITY	REMARK
1		ASSY URT CAB		1	
2		ASSY URT DOOR		1	
3	3012302631	GASKET AS	PVC+MAGENT	1	
4	3017405700	LINER DR	ABS	1	
5	4017L37111	BAR POCKET(L)	PVC-H	1	
6	4017J37132	POCKET BOTTLE	PVC-H	2	
7	3011420050	COVER*T HI	PP	1	
8	3012903670	HINGE*T AS	SPHC T2.3	1	
9	4002A30420	CASE ICING	PE-HC	1	
10	3011110100	DRAIN PAN	PP	1	
11	4017J55226	SHELF	SWRM-B PE COATING	2	
12	4018R30411	FRUIT COVER	GPPS	1	
13	4017L30612	CRISPER	GPPS	1	
14	4006D32533	ADJ FOOT*L	PP(JI-360)	1	
15	4017L32533	ASJ FOOT *R	PP(JI-360)	1	
16	4017J53213	DOOR*F	HIPS	1	
17	3012903640	HINGE*U AS	T2.4	1	
18	4006D70027	KNOB AS		1	
19	4004V70143	THERMOSTAT(C/S)	PFN 110U-02D	1	
20	3010505400	BOX CONTROL	HIPS	1	
21	3951105F10	COMPRSSOR	HFL5Y-1	1	
22	3018116102	SWITCH P RELAY AS	174SHBYY052, S068	1	
23	3816100100	RELAY BAND	SK-5	1	
24	4001E09030	WASHER COMP	SPG T1.0	2	
25	4001E09013	ABSORBER COMP	NR-A	4	
26	4001E09021	WASHER COMP	SPG T0.6	4	
27	4006D17101	POWER CORD AS		1	
28	3010301101	BASE COMP	SPG T0.8X210X474	1	
29	3016801300	DRYER	NON CFC 10g	1	
30	3017000202	EVAPORATOR AS		1	
31	3016401002	RUNNING CAPACITOR	350VAC/5 μ	1	