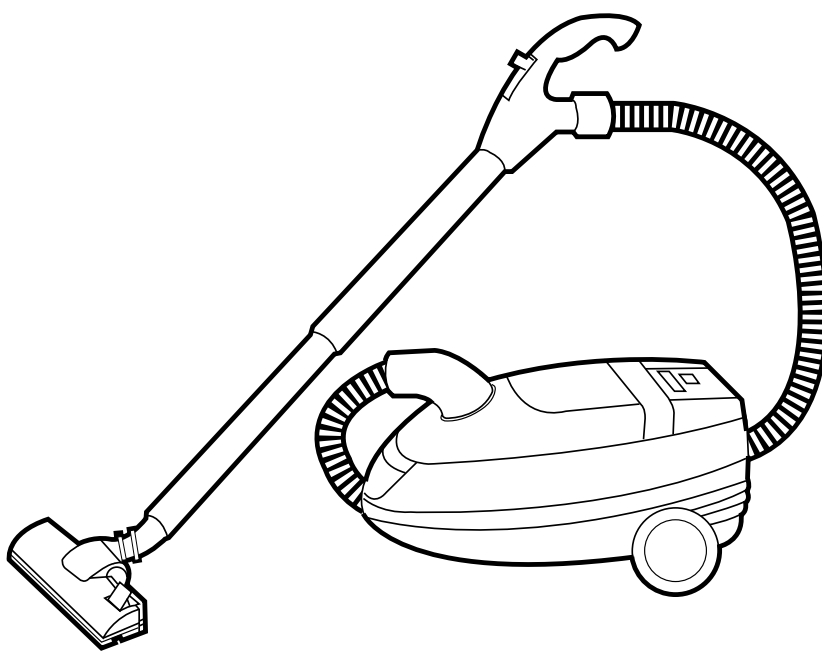


Service Manual

Vacuum Cleaner

A2160



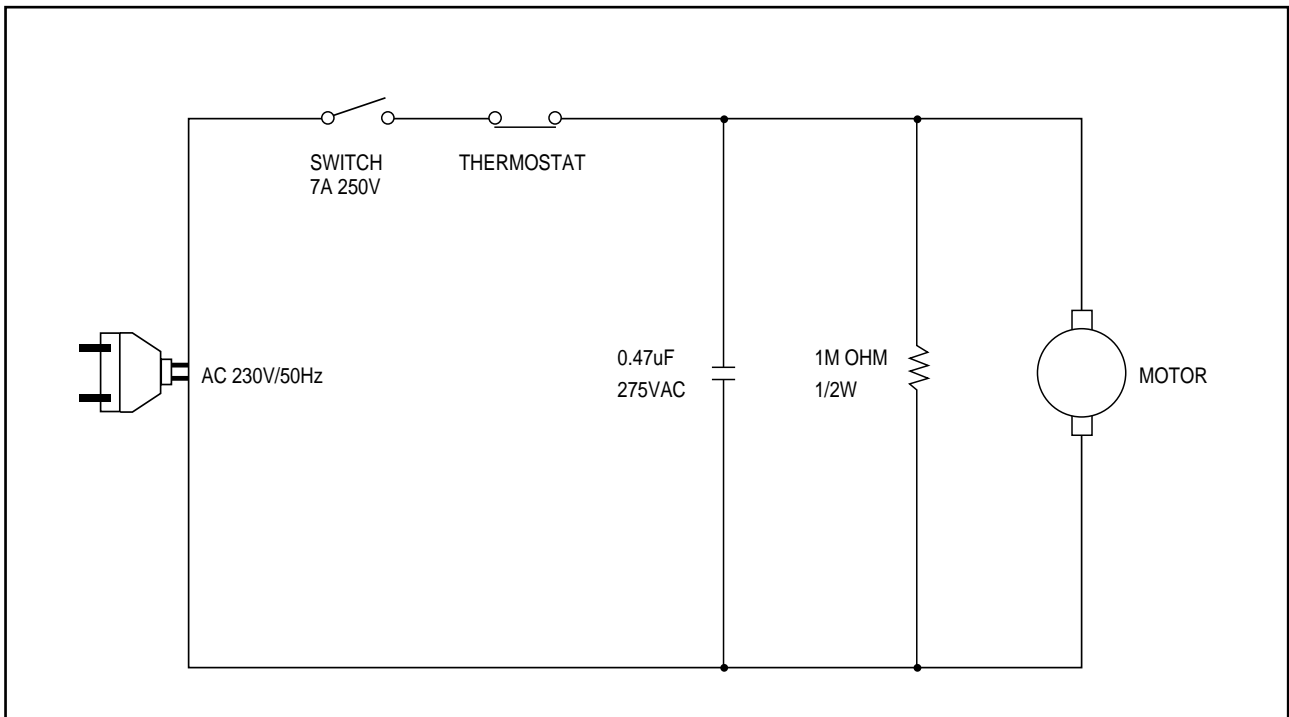
CONTENTS

1. SPECIFICATIONS	1
2. CIRCUIT DIAGRAM	2
3. CAUSE OF TROUBLE AND COUNTERMEASURE	3
4. • DESCRIPTION	4
• DISCRIPTION LIST	5
5. EXPLODED VIEW AND PARTS LIST	6
• BODY (DOWN) ASS'Y	6
• BODY (DOWN) PARTS LIST	7
• COVER ASS'Y	8
• COVER PARTS LIST	9
• HOSE LINE ASS'Y	10
• HOSE LINE PARTS LIST	11
• SUCTION BRUSH ASS'Y	12
• SUCTION BRUSH PARTS LIST	13
• BOX FILTER ASS'Y	14
• BOX FILTER PARTS LIST	14
• ACCESSORY NOZZLES	15
• ACCESSORY NOZZLES PARTS LIST	15

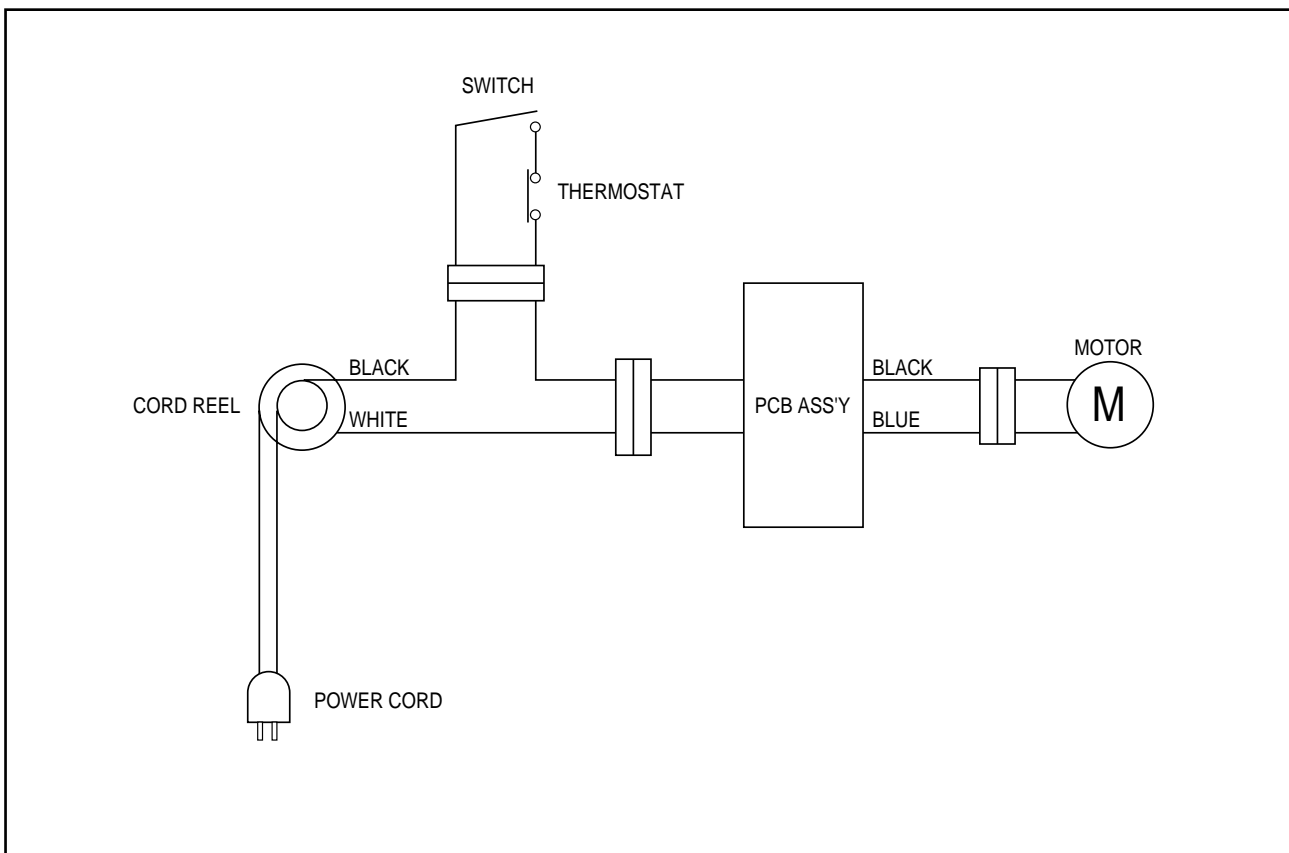
1. SPECIFICATIONS

RATED VOLTAGE AND RATED FREQUENCY	AC 230V / 50Hz
RATED INPUT	1200W
DIMENSION (W x L x H)	270 x 482 x 234(mm)
NET WEIGHT	7.3kg
CORD LENGTH	6m

2. CIRCUIT DIAGRAM



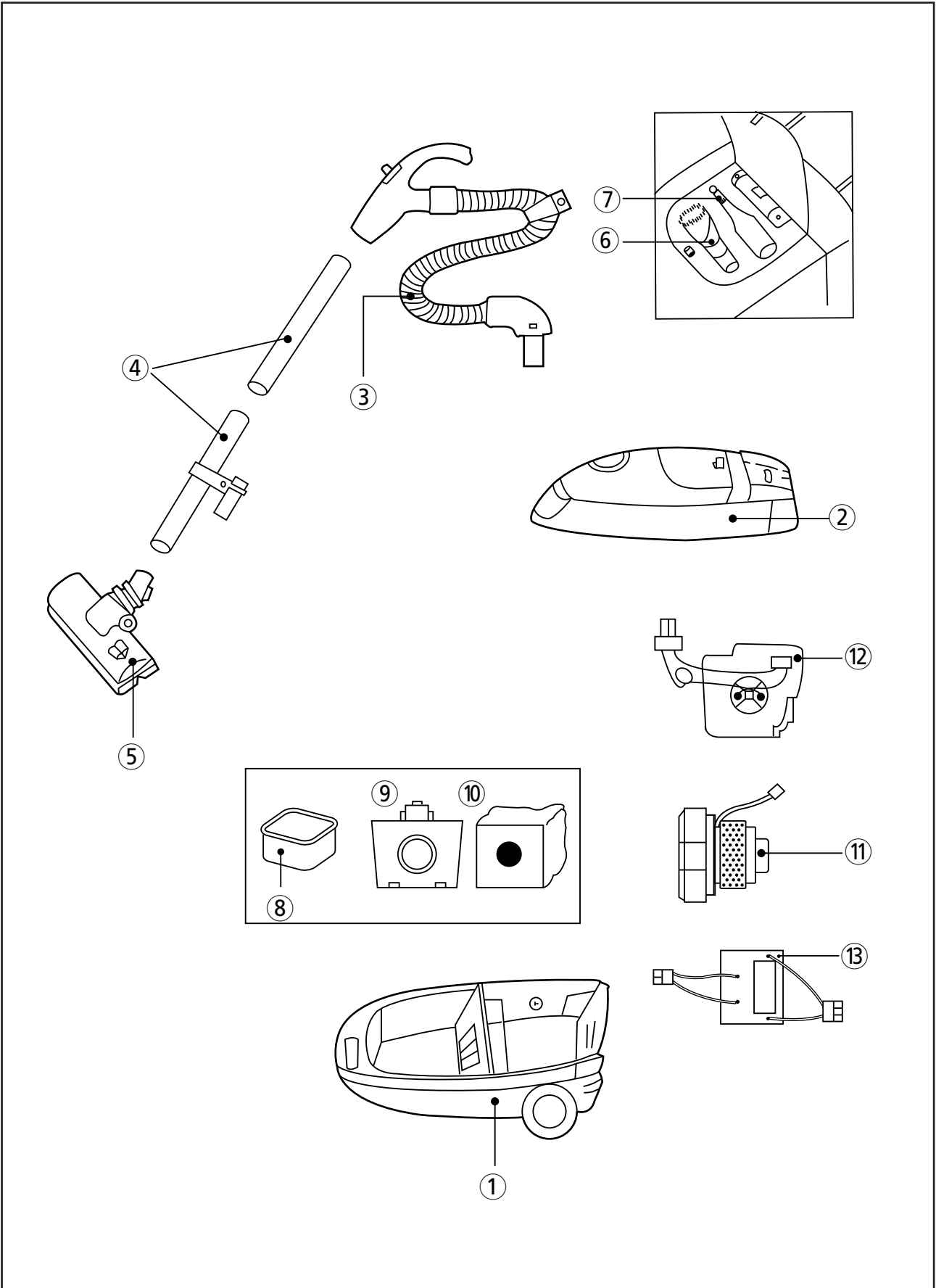
WIRING DIAGRAM



3. CAUSE OF TROUBLE AND

TROUBLE	CAUSE	COUNTERMEASURE
MOTOR DOES NOT ROTATE	BREAK POWER CORD (AT BLADE TIP OR ROOT OF PLUG)	REPLACE THE POWER CORD
	DEFECTIVE PCB	REPLACE
	BREAK THE LEAD WIRE	REPAIR (SOLDER OR USE CLOSED END TERMINAL)
	DEFECTIVE SWITCH	REPLACE THE SWITCH
	ABRASION CARBON OF THE MOTOR	REPLACE OR REPAIR
	BREAK IN OTHER CONNECTION	REPAIR
	DEFECTIVE SWITCH	REPLACE
MOTOR DOES NOT STOP EVEN IF THE SWITCH IS SET "OFF"	DEFECTIVE PCB	REPLACE
CORD IS NOT WOUND UP AT ALL	THE CORD IS DRIVEN OR TWISTED	REPAIR
	INSUFFICIENT RESERVED WINDING	REPAIR
	BROKEN THE SPRING OF CORD REEL	REPAIR
CORD DOESN'T STOP AT ARBITRARY	ABRASION OF THE BRAKE ROLLER	REPLACE
*Be careful when breaking up the cordreel. The reel spring can spring out of the cover.		
SUCTION POWER IS LOW	DUST IS SUCKED EXCESSIVELY INTO THE PAPER BAG	REPLACE THE PAPER BAG
	CLOGGING OR BREAK OF THE HOSE OR EXTENSION PIPE	REMOVE THE OBSTACLE OR REPLACE HOSE/E.P.
	THE FILTER BOX IS FILLED WITH DUST	REMOVE DUST OF THE FILTER BOX
	DEFECTIVE MOTOR	REPLACE

4. DESCRIPTION

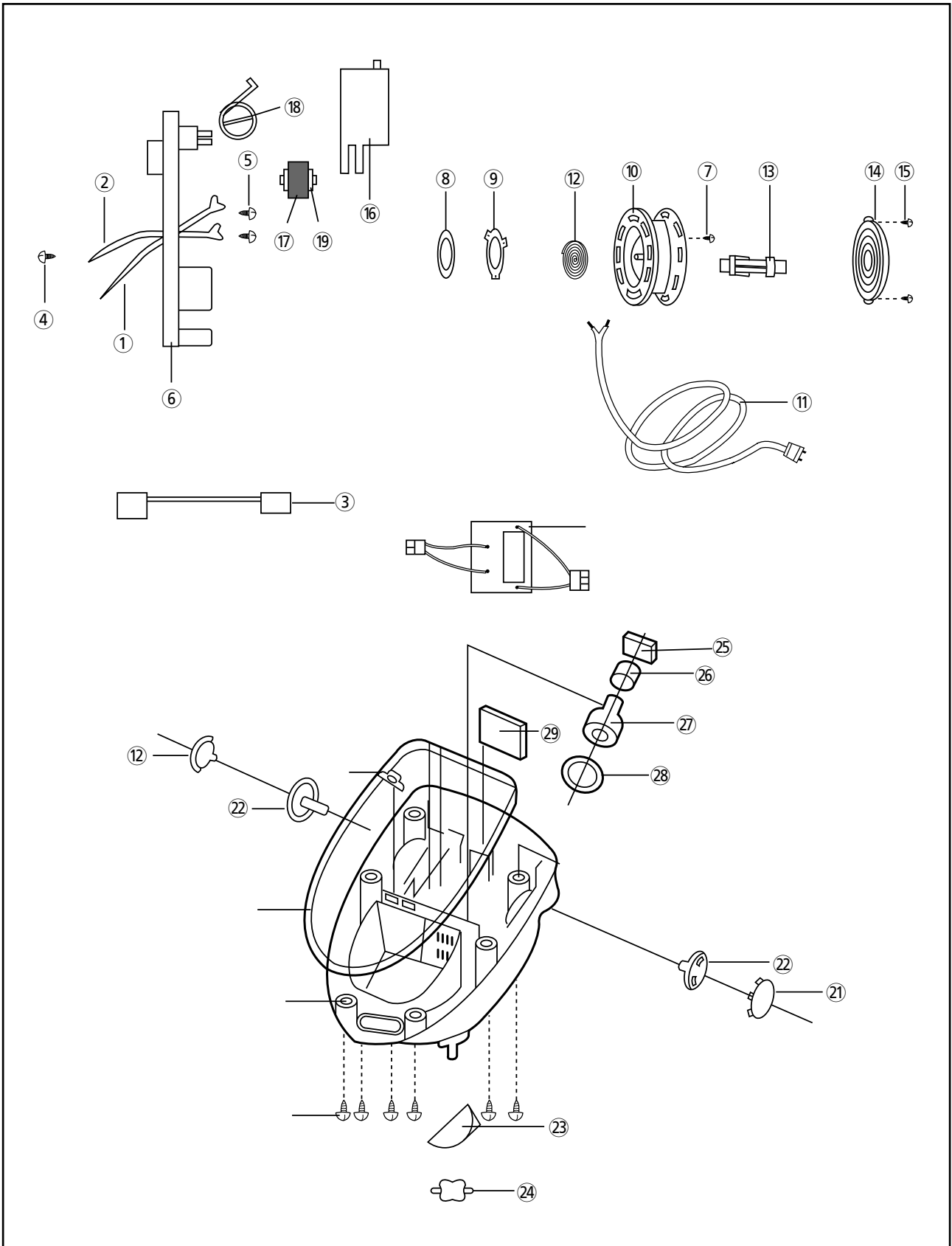


Description List

NO	PART NAME	PART CODE	SPECS.	Q'TY
1	BODY ASS'Y	3620003364	ASS'Y	1
2	COVER ASS'Y3621404820	ASS'Y	1	
3	HOSE ASS'Y	3623204500	1.8m E.V.A	1
4	PIPE AS	3624406800	BLOWER	1
5	BRUSH NORMAL AS	3629302510	ASS'Y (BLOWER)	1
6	DURSTING BRUSH	3629301500	ABS	1
7	NOZZLE CREVICE	3628100300	PP	1
8	DUST BOX	4569C21000	PE NON WOVEN MAT	1
9	DUST BAG HOLDER	3623001700	ASS'Y	1
10	DUST BAG	4560A57001	PAPER	1
11	MOTOR ASS'Y	3962511200	230V/50Hz 1200DMI(F)	1
12	CORD REEL ASS'Y	3629504210	250V/7A 5m	1
13	PCB AS (FILTER)	3624304700	474K+M OHM	1

5. EXPLODED VIEW AND PARTS LIST

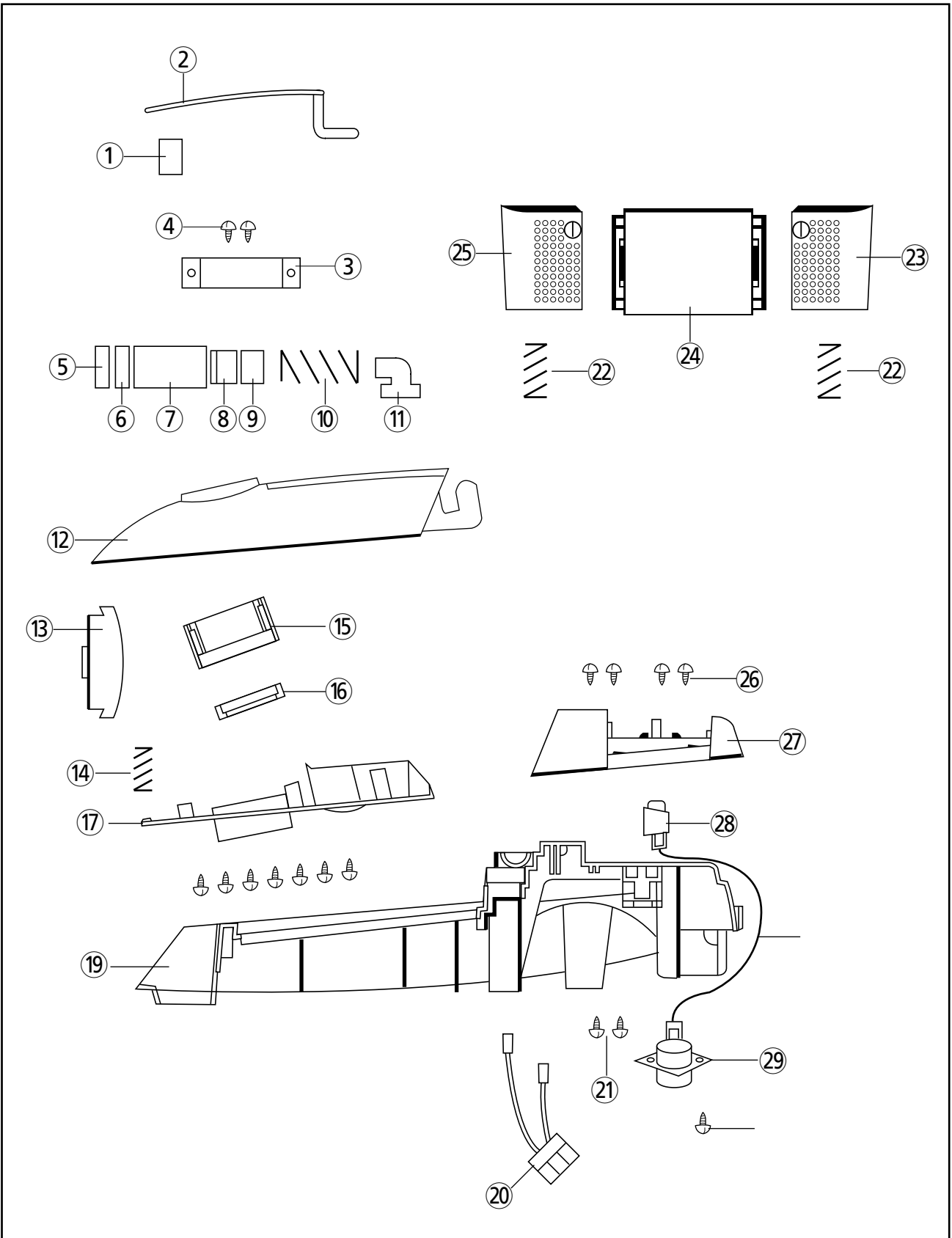
BODY (DOWN) ASS'Y



BODY (DOWN) PARTS LIST

NO	PART NAME	PART CODE	SPECS.	Q'TY
1	TERMINAL AS	4565A36024	C2600P-1/2H T0.3	1
2	TERMINAL AS	4565A36034	C2600P-1/2H T0.3	1
3	HARNESS	3628703110	Y TER+WIR(B/W)+HOUSE	1
4	SCREW TAPPING	7121401211	T2S PAN 4x12 MFZN	1
5	SCREW TAPPING	7121401011	T2S PAN 4x10 MFZN	2
6	BRACKET CR	3620600310	PC	1
7	SCREW TAPPING	7121401411	T2S PAN 4 x 14 MFZN	1
8	TERMINAL OB	3628700100	C2600P	1
9	TERMINAL OA	3628700200	C2600P	1
10	BOBBIN	4569C35011	ABS	1
11	POWER CORD	3621301700	H0.5VVF2X0.75 T105 6.5M	1
12	HOLDER TERMINAL	4565A36010	ABS	1
13	REEL SHAFT	4569C35050	ABS	1
14	SPRING REEL AS	3625102000	SUS 301 EH	1
15	SCREW TAPPING	7121300811	T2S PAN 3x8 MFZN	2
16	LEVER CR	3623700700	ABS	1
17	STOPPER CR	4569C35082	NBR	1
18	SPRING CR LEVER	3625102300	HSW3	1
19	STOPPER FRAME	4565A35070	POM	1
20	WAX VASELINE	2291140301	VASELINE	
21	COVER BACK CASTER	4569C20070	ABS	2
22	CASTER FRAME BACK	4569C20020	PP	2
23	BRACKET FRONT CASTER	4569C20040	PP	1
24	CASTER FRONT	4568A45020	PP	1
25	CAP MOTOR BACK	4569C10040	NR	1
26	MOTOR SPONGE	4569C10070	POLY URETHANE FOAM	1
27	V/C MOTOR	3962511200	230V, 1200W 1200W F	
28	CAP MOTOR FRONT	4569A20040	NR	1
29	FILTR	3621901000	POLYESTER	1
30	SCREW TAPPING	7121402011	T2S PAN 4x20 MFZN	6
31	DM PACKING	4569C20080	NR	1
32	PROTECTOR	4569C20030	PVC-S	1
33	BODY	4569C20010	ABS	1
34	PCB AS	3624304700	474K+M OHM	1

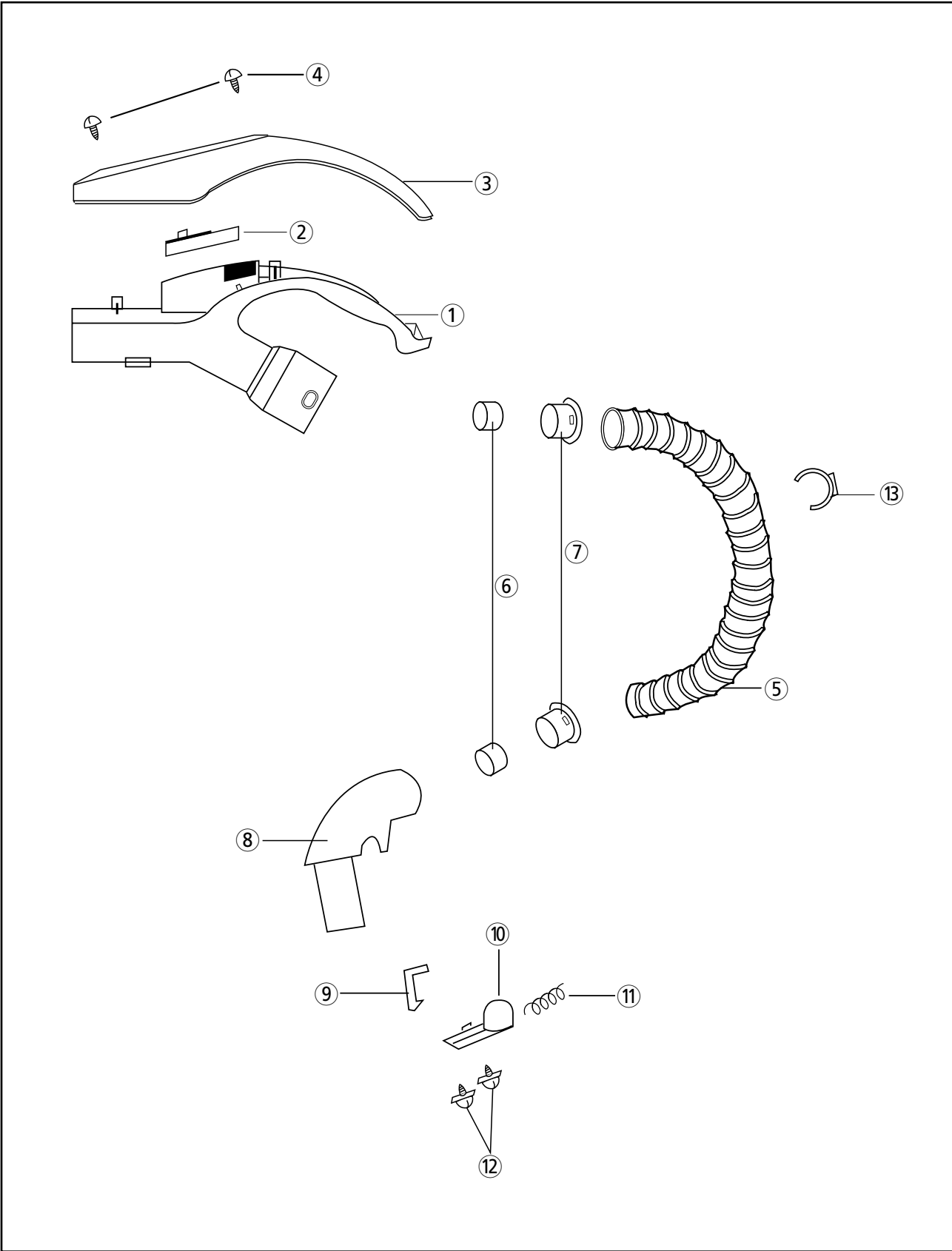
COVER ASS'Y



COVER PARTS LIST

NO	PART NAME	PART CODE	SPECS.	Q'TY
1	LATCH PUSH	4519F35000		1
2	COVER NOZZLE	3621405100	ABS	1
3	COVER DM	4560F30040	ABS	1
4	SCREW TAPPING	7121301211	T2S PAN 3X12 MFZN	2
5	VALVE	3625400100	LDPE	1
6	PACKING	3624000400	PVC-S	1
7	HOUSING	4560F23010	SAN	1
8	DUST METER	4560F23030	ABS (RED)	1
9	DUST METER	4560F23060	ABS (GREEN)	1
10	SPRING	3625103600	SUS	1
11	ELBOW DM	4569C23050	PVC-S	1
12	COVER DUST	3621405000	ABS	1
13	CLAMP COVER	3621201000	ABS	1
14	SPRING	3625102400	HSW3	1
15	SOCKET	3629800900	ABS	1
16	PACKING SOCKET	3624000700	TPE	1
17	PLATE	3624500500	ABS	1
18	SCREW TAPPING	7121401411	T2S PAN 4X14 MFZN	7
19	COVER BODY	3621404900	ABS	1
20	HARNESS	3622705120	3P+TER(250)+TER(187)	1
21	SCREW TAPPING	7121401611	T2S PAN 4X16 MFZN	2
22	SPRING	4569A24030	HSW3	2
23	BUTTON CR	3626601200	ABS	1
24	FRAME BUTTON	3622200310	ABS	1
25	BUTTON SWITCH	3626601100	ABS	1
26	SCREW TAPPING	7121401411	T2S PAN 4X14 MFZN	4
27	COVER TOP	3621405300	ABS	1
28	SW PUSH	4569D37000	AC 250V/10A	1
29	THERMOSTAT	3629001400	KI T85	1
30	HARNESS	3622706310	TER(250)+TER(187)	1
31	SCREW TAPPING	7121301211	T2S PAN 3X12 MFZN	1

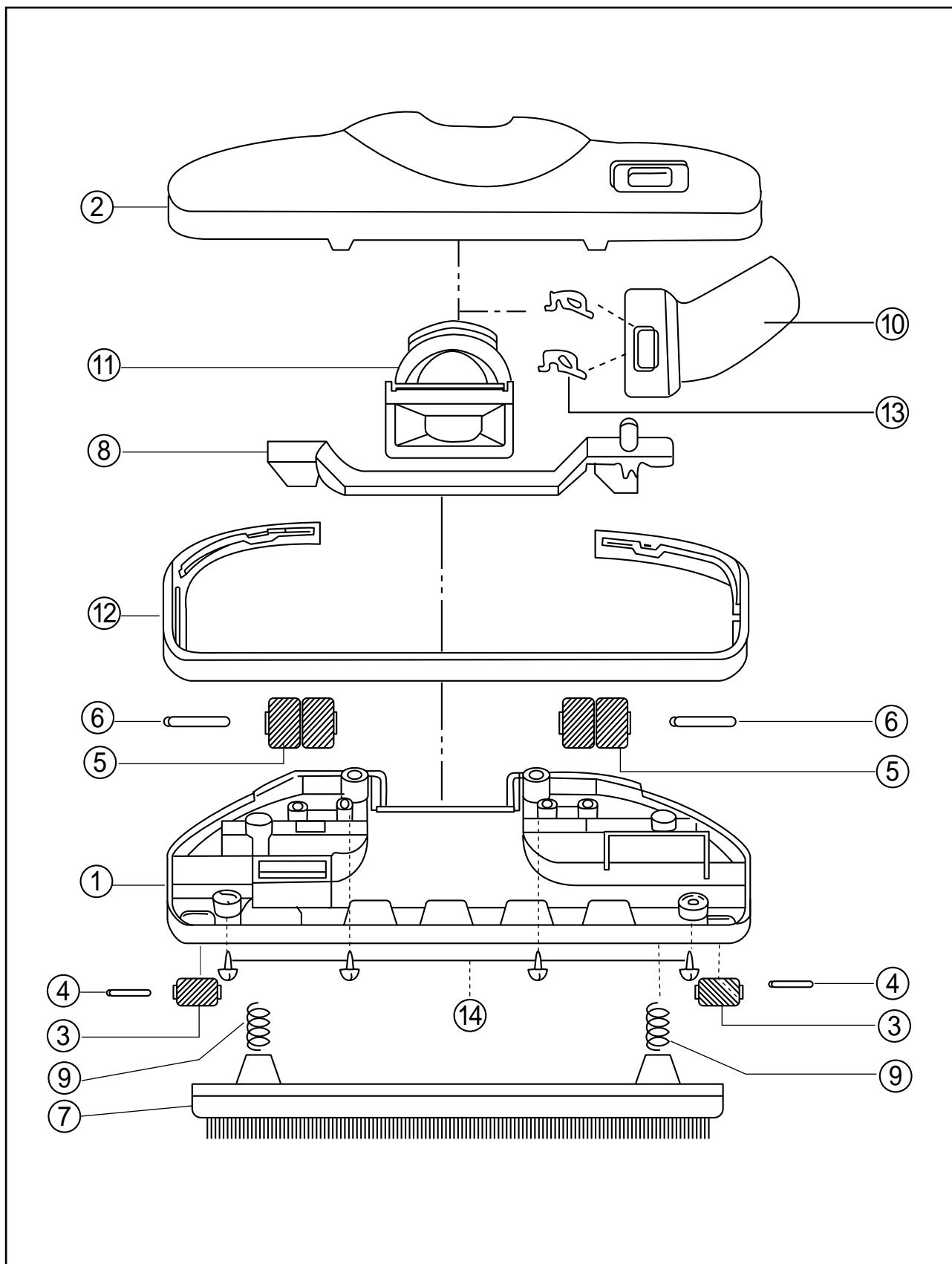
HOSE LINE ASS'Y



HOSE LINE PARTS LIST

NO	PART NAME	PART CODE	SPECS.	Q'TY
1	PIPE HOSE	3624402100	ABC	1
2	VALVE	3625400200	ABS	1
3	COVER PIPE	3621405600	ABS	1
4	SCREW TAPPING	7121301211	T2S PAN 3X12 MFZN	2
5	HOSE	3623201100	EVA	1
6	CUFF HOSE	3626800200	LDPE	2
7	HOLDER HOSE	4569A71021	PP	1
8	ADAPTER	3629100200	ABS	1
9	CLAMP ADAPTER	3621200700	PA	1
10	BUTTON ADAPTER	3626601300	ABS	1
11	SPRING	4569A73020	HSW2	1
12	SCREW TAPPING	7188401011	WASHER ATTACHED	2
13	HOOK HOSE	4560F77000	PP	1

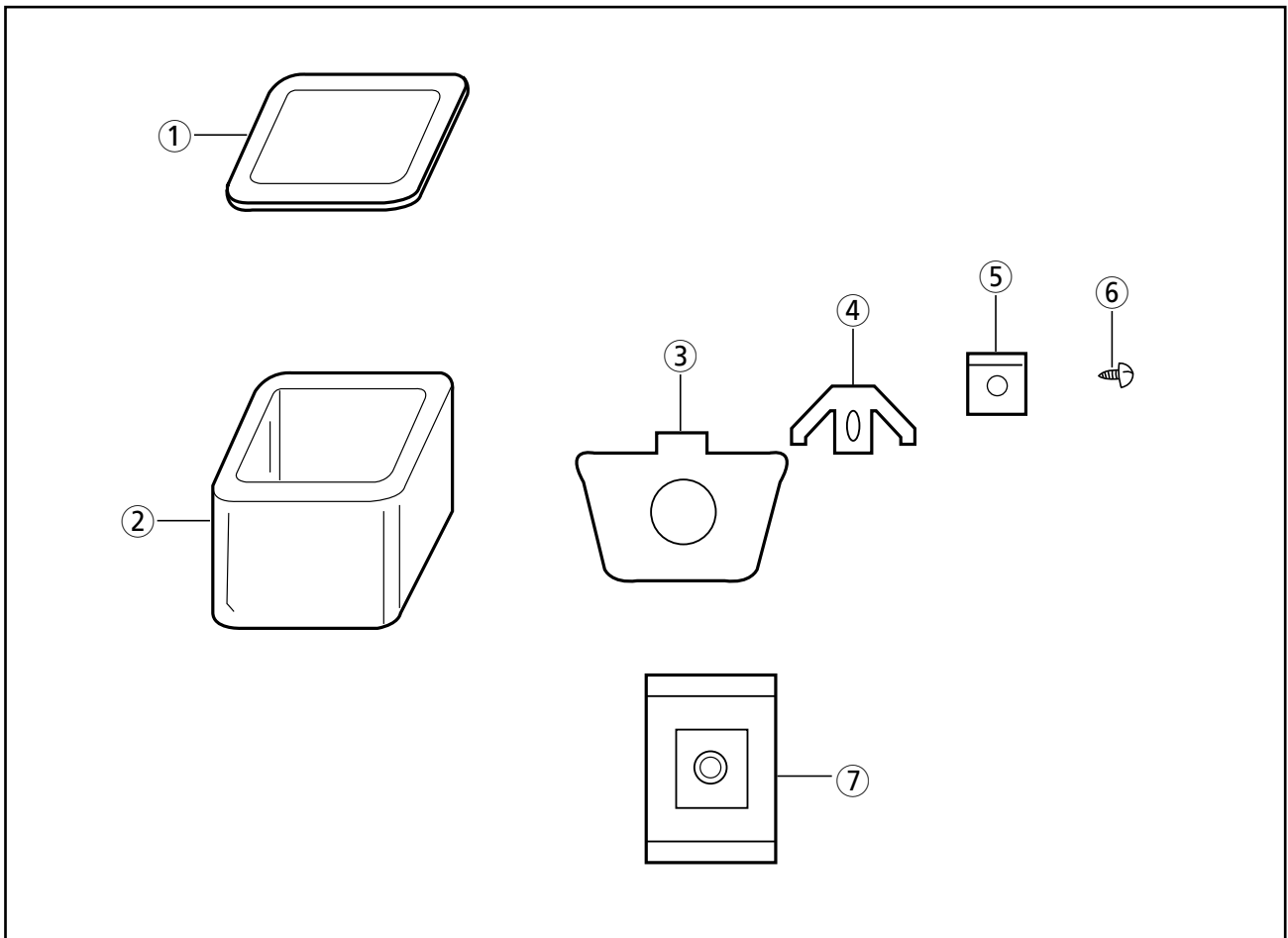
SUCTION BRUSH ASSEMBLY(II)



SUCTION BRUSH PARTS LIST

NO	PART NAME	PART CODE	SPECS.	Q'TY
1	BODY BRUSH	4560F90010	ABS	1
2	COVER PIPE	4560F90080	ABS	1
3	ROLLER PIPE 4560F90020	PP	2	
4	PIN ROLLER	4560F90110	SWRM	2
5	ROLLER BRUSH	4560F90090	PP	2
6	PIN ROLLER	4560F90120	SWRM	2
7	HOLDER PIPE BRUSH	4568B91001	ASSY	1
8	LEVER BRUSH	4560F90040	ABS	1
9	SPRING	4568B90050	HSW3	2
10	PIPE BRUSH	3624405500	ABS	1
11	NECK	4560F90070	ABS	1
12	GASKET BRUSH	4560F90030	PVC-S	1
13	HOOK	3623100100	POLY AMIDE	2
14	SCREW TAPPING	7121401411	T2S PAN 4X14 MFZN	4

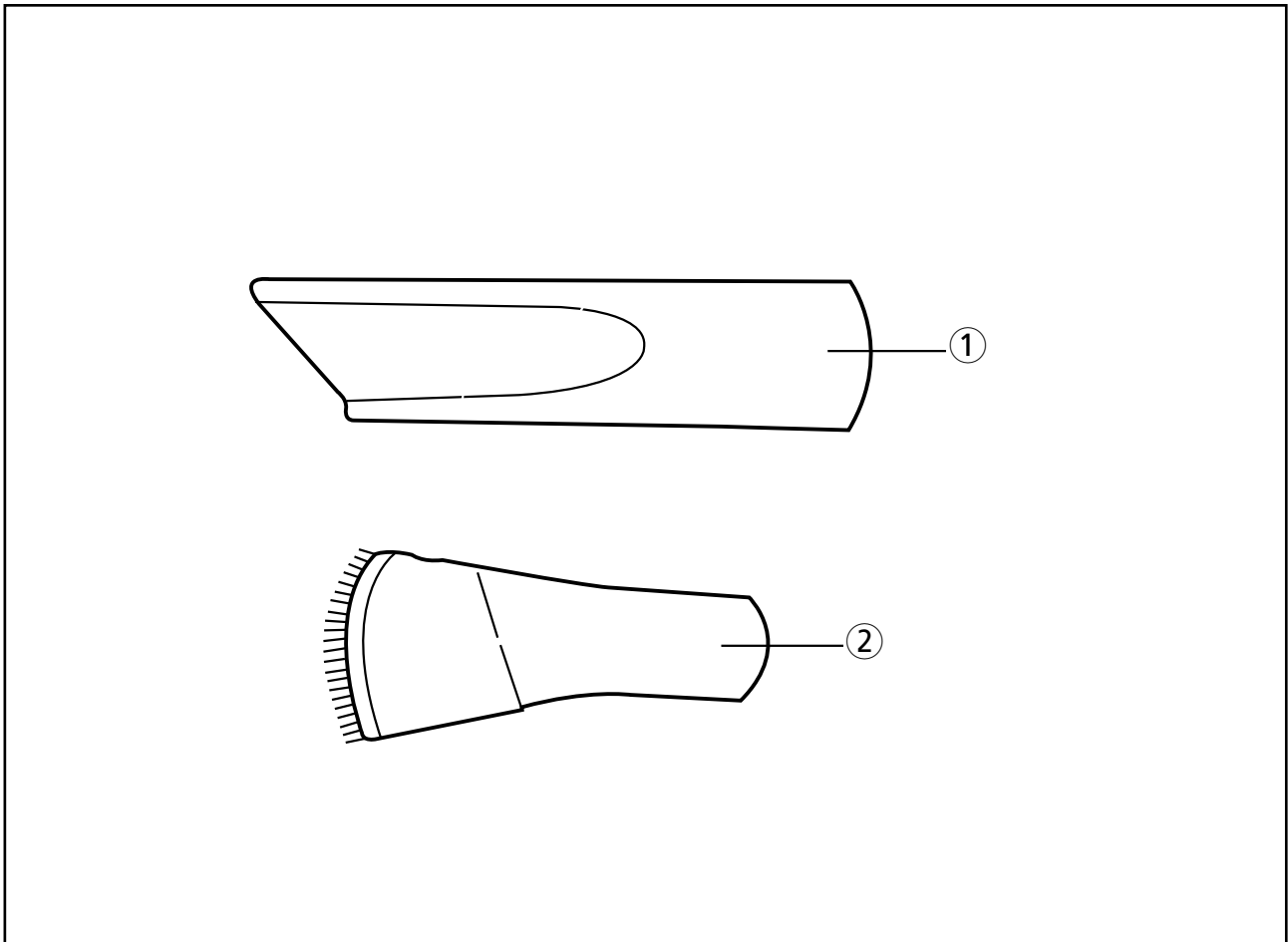
BOX FILTER ASS'Y



BOX FILTER PARTS LIST

NO	PART NAME	CODE	SPECS	Q'TY
1	GASKET FILTER	4569C21010	PVC-S	1
2	FILTER BOX	4569C21021	ABS+FILTER PAPER	1
3	HOLDER FILTER	3623001800	ABS	1
4	CLAMP FILTER	4569C22030	ABS	1
5	HANDLE HOLDER	4569C22020	ABS	1
6	SCREW TAPPING	7121300811	T2S PAN 3X8 MFZN	1
7	PAPER BAG	4560A57001	PAPER	1

ACCESSORY NOZZLES



ACCESSORY NOZZLES PARTS LIST

NO	PART NAME	CODE	SPECS	Q'TY
1	NOZZLE CREVICE	3628100300	PP	1
2	DUSTING BRUSH	3629301500	ABS + NYLON	1